



INSTALLATION INSTRUCTIONS FOR LED LAMP



+DINITU130US
rev. 00 08/01/2018
6E5

Turis 1.3 (350mA) Indoor recessed spotlight

    IP40 IP44
INSTALLED  0.66 lbs

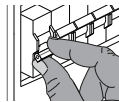
12.5W - 350mA



Product technical data available on the label.



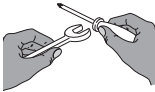
Please read the following instructions carefully and keep for future reference.



Always disconnect the power supply before installing the fixture or performing maintenance on it.



This fixture must be installed by a qualified electrician.



Unauthorized alterations to or tampering with the product will invalidate the warranty.



Designplan Lighting reserves the right to change the information contained in this document at any time without prior notice being given.

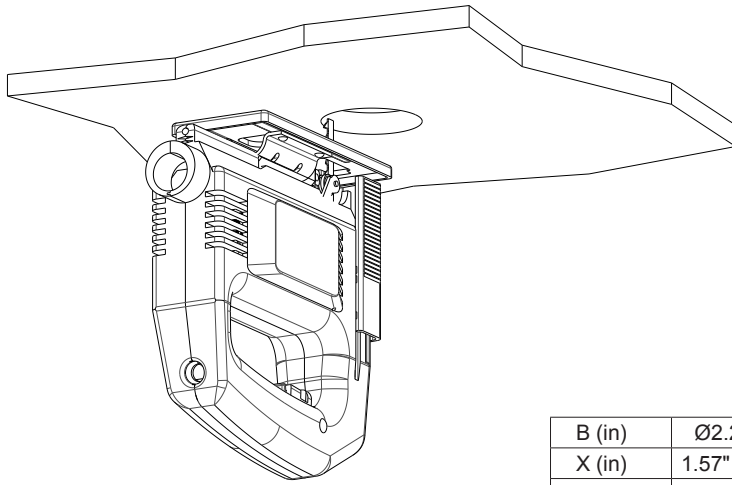


Designplan Lighting will not be held responsible if its fixtures are not installed in accordance with local standards.

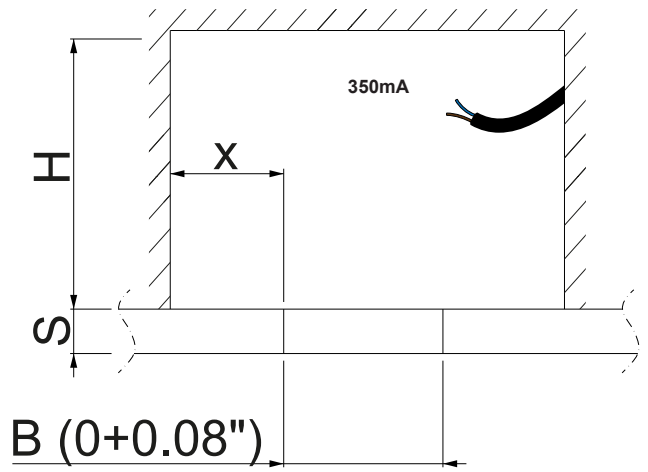


Product for indoor applications.

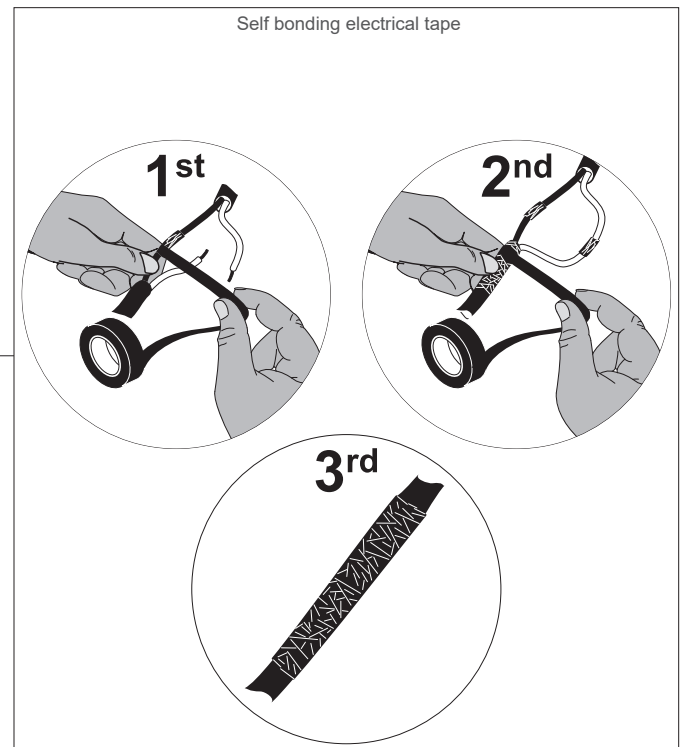
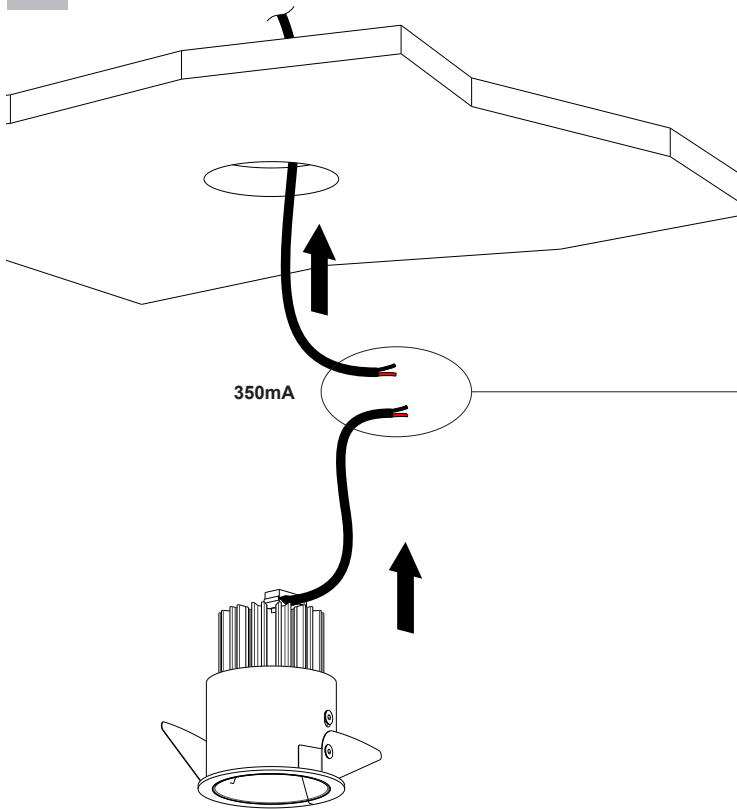
1



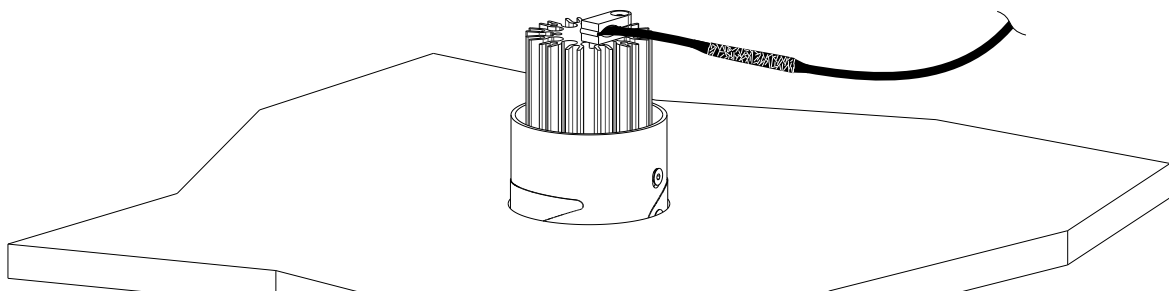
B (in)	Ø2.24"
X (in)	1.57" min
S (in)	0.20" - 1"
H min (in)	5.12"



2



3





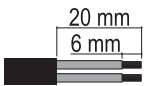
Only power up the system once all the lamps are connected. Connecting an individual lamp to an active power supply may cause the lamp to break due to overvoltage.



Lamps and power supply units must be installed in well-ventilated boxes or locations to allow a natural heat diffusion and avoid the devices overheating.



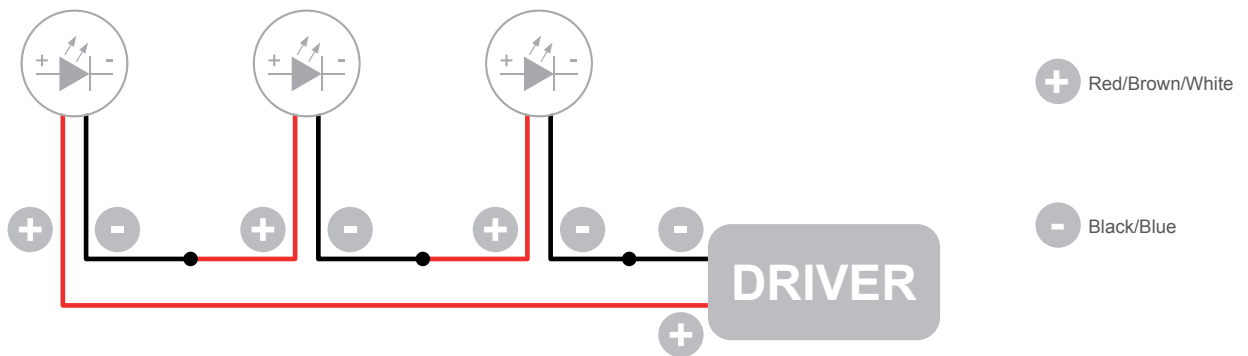
On the power system, install a surge protection device to reduce the intensity of any voltage spikes, to protect the lighting fixtures from the risk of damage.



AWG18
2x1624 (circular mils)

Only use power cables with an outer sheath. Do not use individual wires in input. Only use flexible cables in <HAR> rubber with an appropriate diameter [such as AW 1931-18 awg SVO UL 2x1624 (circular mils)/1624 (circular mils) Ø0.25" (Ø6.3 mm)]. Do not use rigid cables and/or ones with metal core insulation.

Series Wiring Diagram



The individual lamps must be connected in series. Only power up the system once all the lamps have being connected.

MAINTENANCE

Scheduled maintenance must be carried out once a year (Italian standards CEI 64-8/6) on all lighting devices, regardless of their appliance class and type of use. It must at least include the following operations:



Check that the glass or plastic screen is intact, and replace it if broken or damaged.



The internal components such as the ballast, transformer, washers and screws must not show clear signs of oxidation or rust. Clear traces of rust and oxidation will indicate the presence of water inside the device.



In case of damage the components must be replaced (only by the Luce&Light srl) by original components and spare parts before using the fitting.



IP40 device pre-wired with a 0.98' flexible cable. In case of damage, it can only be replaced by the manufacturer. The mains power connection must be outside the device, and protected in accordance with the systems standard.
