

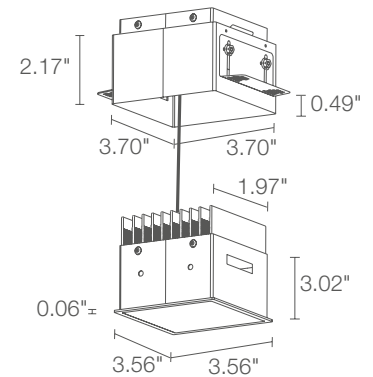
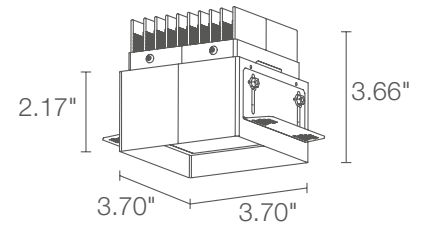
Turis is a family of recessed downlights perfect for general lighting. Featuring a simple, elegant square or round design, the Turis comes with diffuse optics that can be either flush or deep set.



TECHNICAL DATA

Wattage / Input	11W (350mA), 15W (500mA)
Power Supply	Remote, not included. See page 2.
Construction	Body: Black Anodized Aluminum EN AW 6082 Trim: Steel Lens: Plexiglass Frosted on One Side
CCT	2700K, 3000K, 4000K
CRI	>90
Delivered Lumens	1463 lm (3000K, 15W)
Efficacy	97.5 lm/W (3000K, 15W)
Optics	Diffuse
Finishes	White, Black, Gray
Fixture Dimensions	3.56" l x 3.56" w x 3.02" h
Cut-out Size	3.74" x 3.74"
Fixture Weight	1.10 lbs
LED Source	4 (11W), 6 (15W) Power LEDs
Lumen Maintenance	L80, B10 >50,000hrs (Ta 25°C)
Color Consistency	3-Step MacAdam
Operating Temp.	32°F to +113°F
IP Rating	IP40, IP44 Installed

Cut-Out Dimensions: 3.74" x 3.74"
Fixture Dimensions



OUTER CASING REQUIRED - Ordered Separately

ORDERING INFORMATION

Example: TU4010FDB. Accessories / Power Supplies ordered separately.

TU401			D	B
Model No.	Wattage	CCT	Optics	Finish
TU401	1 - 11W 0 - 15W	F - 2700K 5 - 3000K 9 - 4000K	D - Diffuse	B - White

Job Name/Date:

Fixture Type Designation:

SUGGESTED POWER SUPPLIES

350mA - 11W version

Part Number	Description	Input/Output	# of Fixtures
PPLT00139	0-10V Dimming to 10%	120-277VAC to 350mA, 10W, Class 2	1-1
PPLT00496	Phase Dim (120V only)	120VAC to 350mA, 12W, Class 2, DAMP	1-1
PPLT00308-P	0-10V Dimming to 0.1%	120-277VAC to 350mA, 30W, Class 2	1-2
PPLT00168-P	0-10V Dimming to 1.0%	120-277VAC to 350mA, 50W, Class 2	1-4
PPLT00538-P	0-10V Dimming to 0.1%	120-277VAC to 350mA, 100W, Class 2	1-8

Suggested Lutron Compatible - 11W - 350mA

Part Number	Option	Lutron SKU	Dim Range	Description	Input/Output	# of Fixtures
PPLT00271	LTEA2W	LTEA	100%-1%	Hi-Lume™ 1% 2-Wire LED Driver (120V forward phase only)	120VAC to 350mA, 13W, Class 2	1-1
PPLT00516	L3DAE / L3DA3W	L3DA	100%-1%	Hi-Lume™ 1% EcoSystem™ or 1% 3-Wire LED Driver	120-277VAC to 350mA, 13W, Class 2	1-1

SUGGESTED POWER SUPPLIES

500mA - 15W version

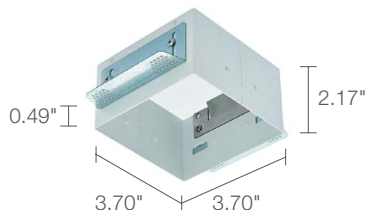
Part Number	Description	Input/Output	# of Fixtures
PPLT00465-P	0-10V Dimming to 1.0%	120-277VAC to 500mA, 20W, Class 2	1-1
PPLT00527	Phase Dim (120V only)	120-277VAC to 500mA, 25W, Class 2, IP66	1-1
PPLT00262	Leading / Trailing-Edge Dimming to 10% (120V only)	120-277VAC to 500mA, 32W, Class 2	1-1
PPLT00309-P	0-10V Dimming to 0.1%	120-277VAC to 500mA, 50W, Class 2	1-1
PPLT00538-P	0-10V Dimming to 0.1%	120-277VAC to 500mA, 100W, Class 2	1-4

Suggested Lutron Compatible - 15W - 500mA

Part Number	Option	Lutron SKU	Dim Range	Description	Input/Output	# of Fixtures
PPLT00250	LTEA2W	LTEA	100%-1%	Hi-Lume™ 1% 2-Wire LED Driver (120V forward phase only)	120VAC to 500mA, 27W, Class 2	1-1
PPLT00180	L3DAE / L3DA3W	L3DA	100%-1%	Hi-Lume™ 1% EcoSystem™ or 1% 3-Wire LED Driver	120-277VAC to 500mA, 27W, Class 2	1-1

For other power supply options consult factory.

ACCESSORIES - Installation



WC3104
Outer Casing
Required For Plasterboard

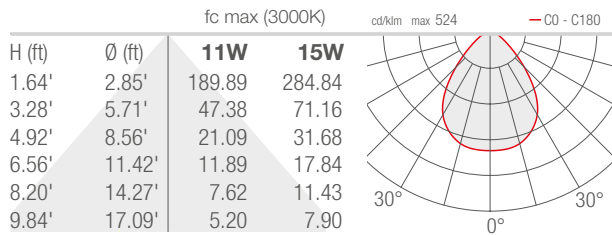
Job Name/Date:

Fixture Type Designation:

PHOTOMETRIC DATA

Note all Photometry is 3000K

D - Diffuse



Job Name/Date:

Fixture Type Designation: