

# UPDOWN 4.0

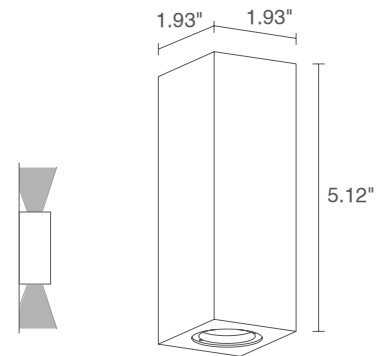
The Updown 4 series is an outdoor wall-mounted fixture with a minimalist design and double beam. It is available in white, blue or RGB light with up or down optics options and 4 standard finishes.



## TECHNICAL DATA

|                           |  |
|---------------------------|--|
| <b>Wattage / Input</b>    | 6W (350mA)   |
| <b>Power Supply</b>       | Remote, not included. See page 2.  |
| <b>Construction</b>       | Body: Aluminum<br>Lens: Transparent Extra-Clear Glass  |
| <b>CCT</b>                | 2700K, 3000K, 4000K, 5000K, Blue, RGB  |
| <b>CRI</b>                | CRI >80  |
| <b>Delivered Lumens</b>   | 182 lm (3000K, 350mA, 22°) per beam<br>RGB: 114 lm (R) 42 lm, (G) 54 lm, (B) 18 lm (350mA, 22°) per beam |
| <b>Efficacy</b>           | 30 lm/W (3000K, 22°)<br>RGB: 19 lm/W (22°)   |
| <b>Optics</b>             | Up and Down optics available. See below.   |
| <b>Finish</b>             | 4 Standard. See below.   |
| <b>Fixture Dimensions</b> | 1.93" x 1.93" x 5.12"  |
| <b>Fixture Weight</b>     | 1.54 lbs.  |
| <b>LED Source</b>         | 6 (3+3) Power LEDs   |
| <b>Lumen Maintenance</b>  | L90, B10>50,000hrs   |
| <b>Color Consistency</b>  | 1/4 ANSI BIN   |
| <b>Operating Temp.</b>    | -4°F to +113°F   |
| <b>IP Rating</b>          | IP65   |
| <b>Impact Rating</b>      | —  |

Fixture Dimensions



## ORDERING INFORMATION

Example: UD40615MLT. Accessories / Power Supplies ordered separately.

| Model No. | CCT   | UP Optics                     | DOWN Optics                   | Finish  |
|-----------|---|-------------------------------|-------------------------------|---|
| UD4061    | F - 2700K<br>5 - 3000K<br>9 - 4000K<br>0 - 5000K<br>1 - Blue<br>6 - RGB | S - 15°<br>M - 22°<br>L - 54° | S - 15°<br>M - 22°<br>L - 54° | E - White<br>A - Anodized Aluminum<br>H - Anthracite<br>T - Cor-ten |

Job Name/Date:

Fixture Type Designation:

## SUGGESTED POWER SUPPLIES

350mA

| Part Number                 | Description           | Input/Output                       | # of Fixtures |
|-----------------------------|-----------------------|------------------------------------|---------------|
| <a href="#">PPLT00465-P</a> | 0-10V Dimming to 1.0% | 120-277VAC to 350mA, 20W, Class 2  | 1-2           |
| <a href="#">PPLT00308-P</a> | 0-10V Dimming to 0.1% | 120-277VAC to 350mA, 30W, Class 2  | 1-2           |
| <a href="#">PPLT00168-P</a> | 0-10V Dimming to 1.0% | 120-277VAC to 350mA, 50W, Class 2  | 1-4           |
| <a href="#">PPLT00538-P</a> | 0-10V Dimming to 0.1% | 120-277VAC to 350mA, 100W, Class 2 | 1-8           |

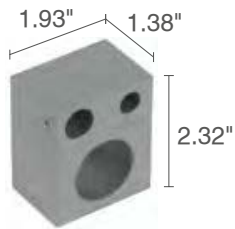
RGB - 350mA

| Part Number                 | Description  | Input/Output                       | # of Fixtures |
|-----------------------------|--|------------------------------------|---------------|
| <a href="#">PPLT00244-P</a> | DMX/RDM (Must advise DMX addresses if not using RDM) | 120-277VAC to 24VDC, 50W, Class 2  | 1 - 6         |
| <a href="#">PPLT00129-P</a> | DMX/RDM (Field Addressable)                          | 120-277VAC to 24VDC, 100W, Class 2 | 1-7           |

For other power supply options consult factory.

## ACCESSORIES

### Installation



- WD0103** - White
- WD0100** - Anodized aluminum
- WD0104** - Anthracite
- WD0102** - Cor-ten
- Spacer

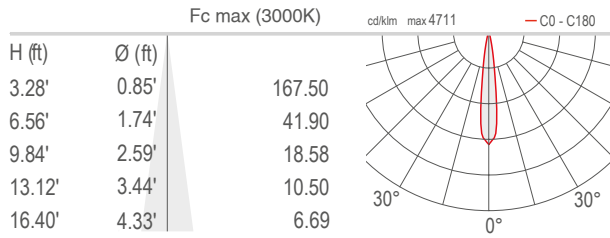
Job Name/Date:

Fixture Type Designation:

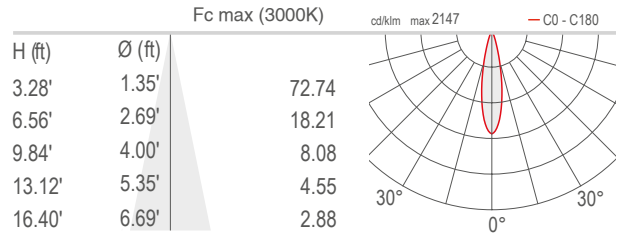
## PHOTOMETRIC DATA

Note all Photometry is 3000K

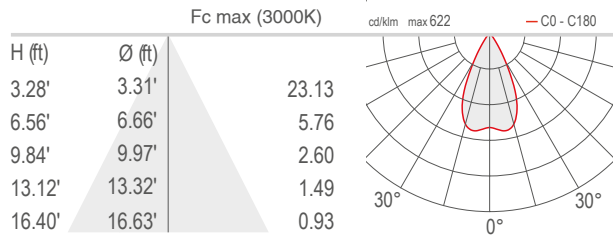
### S - 15°



### M - 22°



### L - 54°



Job Name/Date:

Fixture Type Designation: