

Zoom is a totally disappearing, square, indoor downlight with a rounded light emission hole. It is made of AirCoral® and comes fixed or adjustable +/- 30° with a standard color temperature of 3000K.



TECHNICAL DATA

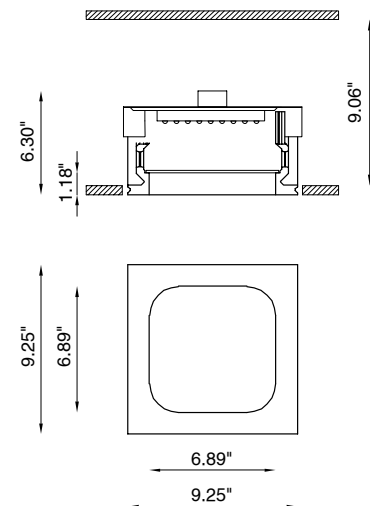
Wattage / Input	40W (1050mA) 2 x 6.5W (350mA)
Power Supply	Integral or Remote, not included? See page 2.
Construction	Body: AirCoral® Lens: Frosted Glass
CCT	3000K (2700K, 4000K on request)
CRI	>90
Delivered Lumens	2589 lm (40W, 3000K - BU6181) 1881 lm (2x6.5W, 3000K - BU6183)
Efficacy	64.7 lm/W (BU6181) 144.7 lm/W (BU6183)
Optics	40° (BU6181) 120° (BU6183)
Finishes	AirCoral® Plaster
Fixture Dimensions	9.25" l x 9.25" w x 6.30" h
Cutout Dimensions	9.65" x 9.65"
Aperature	6.89" x 6.89"
Fixture Weight	7.05 lbs
IP Rating	IP40

The body is made of Aircoral® a unique patented composite material that actually purifies the air. It can be calculated how many cubic feet each fixture will purify. See website for Aircoral® calculator.

Additionally, Aircoral® is:

- Antibacterial.
- Antifungal.
- Scratch-resistant.
- Dust-resistant.
- Suitable for painting.
- LEED recognized material.

Fixture Dimensions



ORDERING INFORMATION

Example: BU6183.AC.30.US. Power supplies ordered separately.

	AC		.US
Model No.	Material	CCT	
BU6181 (40W) BU6183 (2 x 6.5W)	AC - AirCoral®	30 - 3000K (standard) 27 - 2700K (on request) 40 - 4000K (on request)	

Job Name/Date:

Fixture Type Designation:

SUGGESTED POWER SUPPLIES

1050mA - 40W version (BU6181)

Part Number	Description	Input/Output	Fixtures
PPLT00190	0-10V Dimming to 10%	120-277VAC to 1050mA, 42W, Class 2	1-1
PPLT00309-P	0-10V Dimming to 0.1%	120-277VAC to 1050mA, 50W, Class 2	1-1
PPLT00467-P	0-10V Dimming to 1.0%	120-277VAC to 1050mA, 60W, Class 2	1-1

SUGGESTED POWER SUPPLIES

350mA - 13W version (BU6183)

Part Number	Description	Input/Output	Fixtures
PPLT00468	Phase Dim (120V only)	120VAC to 350mA, 14W, Class 2	1-1
PPLT00465-P	0-10V Dimming to 1.0%	120-277VAC to 350mA, 20W, Class 2, DAMP	1-1
PPLT00308-P	0-10V Dimming to 0.1%	120-277VAC to 350mA, 30W, Class 2, DAMP	1-2
PPLT00263	Leading / Trailing Edge Dimming to 10% (120V only)	120-277VAC to 350mA, 32W, Class 2	1-1
PPLT00538-P	0-10V Dimming to 0.1%	120-277VAC to 350mA, 100W, Class 2	1-4

Suggested Lutron Compatible - 350mA - 13W version (BU6183)

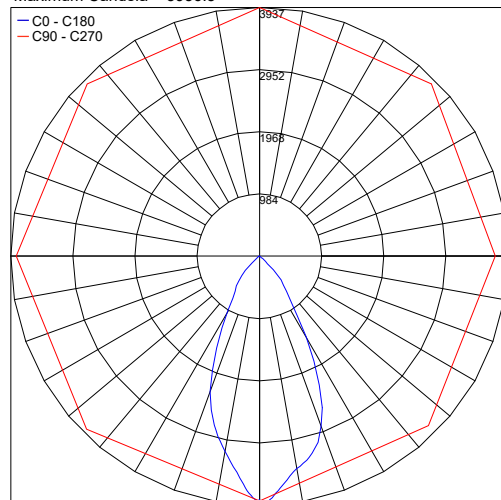
Part Number	Option	Lutron SKU	Dim Range	Description	Input/Output	# of Fixtures
PPLT00271	LTEA2W	LTEA	100%-1%	Hi-Lume™ 1% 2-Wire LED Driver (120V forward phase only)	120VAC to 350mA, 13W, Class 2	1-1
PPLT00516	L3DAE / L3DA3W	L3DA	100%-1%	Hi-Lume™ 1% EcoSystem™ or 1% 3-Wire LED Driver	120-277VAC to 350mA, 13W, Class 2	1-1

For other power supply options consult factory.

PHOTOMETRIC DATA

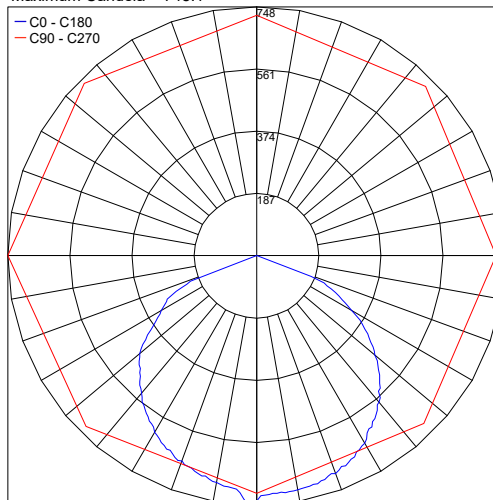
Note: All photometry is 3000K.

Maximum Candela = 3936.5



PHOTOMETRIC FILENAME : ZOOM BU6181.AC 40W 3000K.IES

Maximum Candela = 748.1



PHOTOMETRIC FILENAME : ZOOM BU6183.AC 2X6.5W 3000K.IES

Job Name/Date:

Fixture Type Designation: