

# LANDA BRICK LIGHT\_AS

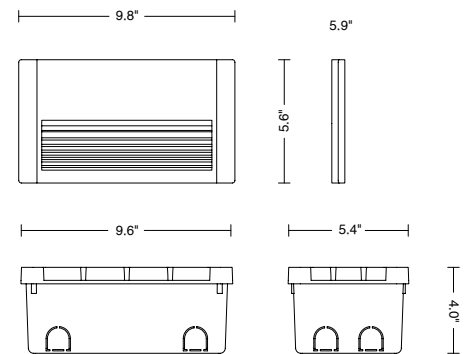
Landa Brick Light\_AS is the asymmetrical version of Brick Light recessed die-cast aluminum wall fixture, suitable for outdoor installation and illuminating walkways, paths and private entrances. It has an asymmetrical light beam and polycarbonate opal diffuser. The body is in die-cast aluminum with finishes available in graphite and light gray. Dark sky compliant.



## TECHNICAL DATA

<b>Wattage</b>	12W (700mA)
<b>Power Supply</b>	Remote, not included. See page 2.
<b>Construction</b>	Body: Die-cast aluminum Lens: Polycarbonate Opal Diffuser
<b>CCT</b>	3000K, 4000K (other colors on request)
<b>BUG Rating</b>	B0-U0-G0
<b>CRI</b>	>90
<b>Delivered Lumens</b>	95 lm (3000K)
<b>Efficacy</b>	6.5 lm/W
<b>Optics</b>	Asymmetric
<b>Finishes</b>	Graphite, Gray
<b>Fixture Dimensions</b>	9.9" l x 5.6" h x 4.0" depth
<b>Lumen Maintenance</b>	L70 >50,000hrs (Ta 40°C)
<b>Color Consistency</b>	3-Step MacAdam
<b>IP Rating</b>	IP65
<b>Impact Resistance</b>	IK08

### Fixture Dimensions



DARK SKY COMPLIANT

## ORDERING INFORMATION

Example: LNBK40IPAABDZL.US. Power Supplies ordered separately.

LNBK4	0 IPA	A		BDZ		US
<b>Model No.</b>	<b>Size</b>	<b>Optics</b>	<b>CCT</b>		<b>Finish</b>	
LNBK4	0 IPA	A - Asymmetric	N - 4000K H - 3000K	BDZ	H - Gray L - Graphite	US

Job Name/Date:

Fixture Type Designation:

## SUGGESTED POWER SUPPLIES

700mA

Part Number	Description	Input/Output	# of Fixtures
<a href="#">PPLT00465-P</a>	0-10V Dimming to 1.0%	120-277VAC to 350mA, 20W, Class 2, DAMP	1-1
<a href="#">PPLT00308-P</a>	0-10V Dimming to 0.1%	120-277VAC to 350mA, 30W, Class 2, DAMP	1-2
<a href="#">PPLT00538-P</a>	0-10V Dimming to 0.1% (4 channels)	120-277VAC to 350mA, 100W, Class 2	1-2 (1-8)

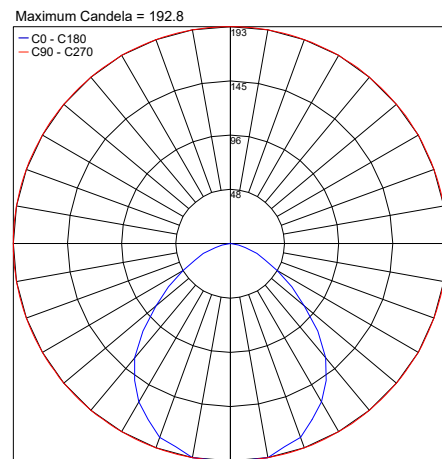
For other power supply options consult factory.

## ACCESSORIES - Installation (included)

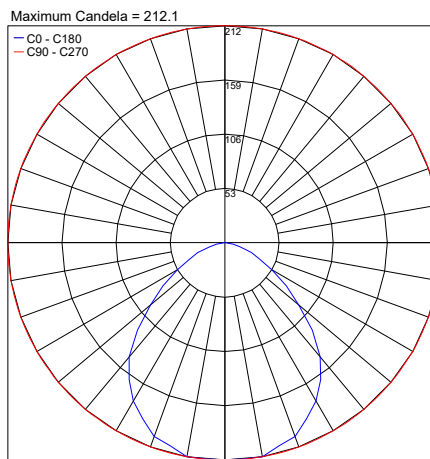
**HOUSING BOX - Included**

## PHOTOMETRIC DATA

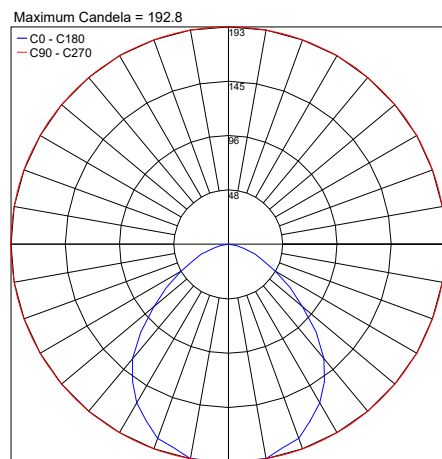
Open - 3000K



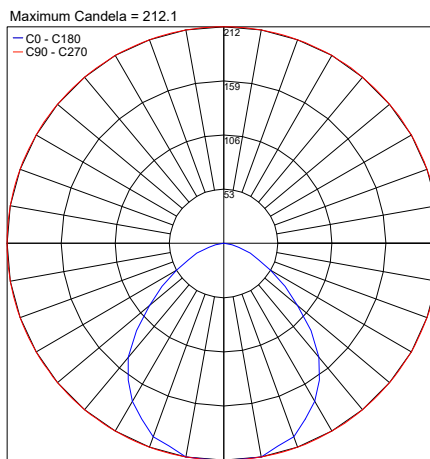
Open - 4000K



Striped - 3000K



Striped - 4000K



Job Name/Date:

Fixture Type Designation: