



INSTRUCTIONS PERTAINING TO RISK OF FIRE OR INJURY TO PERSONS. READ ALL INSTRUCTIONS. IMPORTANT SAFETY INSTRUCTIONS. SAVE THESE INSTRUCTIONS.

DANGER - RISK OF SHOCK - DISCONNECT POWER BEFORE INSTALLATION! Please read all instructions before installation.

- Keep these instructions for future reference.
- Must be installed by a qualified electrician in accordance with national and local standards. Designplan is not responsible for fixtures installed without regard to these standards.
- Unauthorized alterations or tampering of product voids warranty.
- The main power connection must be in accordance with local electrical codes.
- Suitable for INDOOR applications.



Maintenance

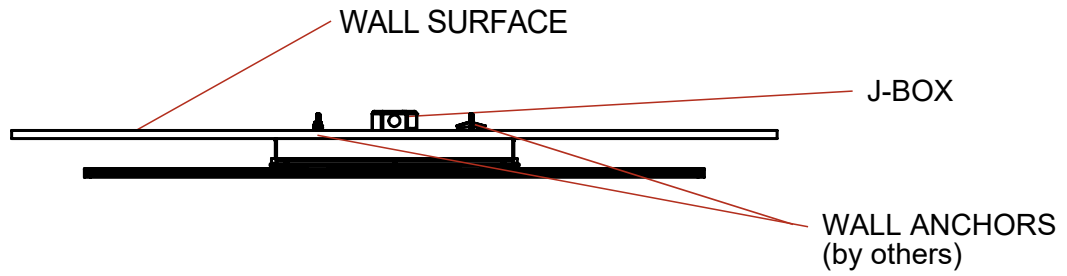
Scheduled maintenance must be carried out once a year on all lighting devices, regardless of appliance class and type of use. It must include the following operations:

- Periodically clean fixtures to remove dirt from gratings and screw heads.
- Check tightness of screws on various parts of the device.
- Check that all cable glands and cables are intact and tight. Check that the glass or plastic lens is intact, and replace it if broken or damaged.
- The internal components such as the ballast, driver, washers and screws must not show clear signs of oxidation or rust. Clear traces of rust and oxidation will indicate the presence of water inside the device.
- In the case of damage, the components must be replaced by original components or spare parts.

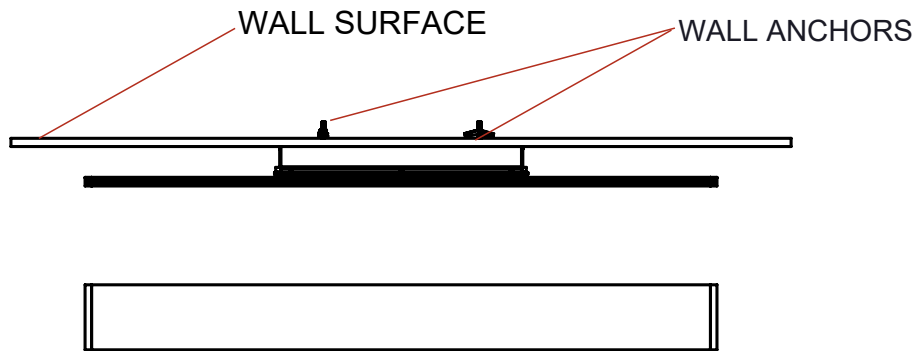
Fixture Installation

- Fixture consists of a wall box housing with cover, and the fixture body. Before installing the fixture to the wall using the J-Box screws and anchors, the fixture must be connected to the power source. Make sure power is off before connecting. The fixture needs to be supported either by a second person or some other method, while the connections are being made.
- 1. Open fixture wall box using supplied Allen wrench.
- 2. Mark location of anchors (Supplied by others) by making proper layout as per provided dimensions or by tracing it from the wall box directly.
- 3. Raise the fixture and make an electrical connection using proper wire nuts (not supplied). CONNECT GREEN WIRE TO "GROUND", CONNECT WHITE BUILDING WIRE TO WHITE FIXTURE WIRE. CONNECT BLACK BUILDING WIRE TO BLACK FIXTURE WIRE.
- 0-10V DIMMING APPLICATIONS THE PURPLE IS THE POSITIVE (+) AND THE GRAY IS NEGATIVE (-). IF DIMMING IS NOT REQUIRED SIMPLY CAP OFF ENDS.
- 4. Push the wires into the J-box and install J-box screws and anchors. Make sure the fixture is perfectly leveled.
- 5. Raise the fixture body, push all wires in and close the wall box using the supplied Allen wrench.
- The entire weight of fixture is supported by the junction box and anchor bolts. It is contractor's responsibility to provide proper support to the junction box, and use Anchor bolts rated to support the weight of the fixture.
- The power can be energized and the fixture is now ready for use.

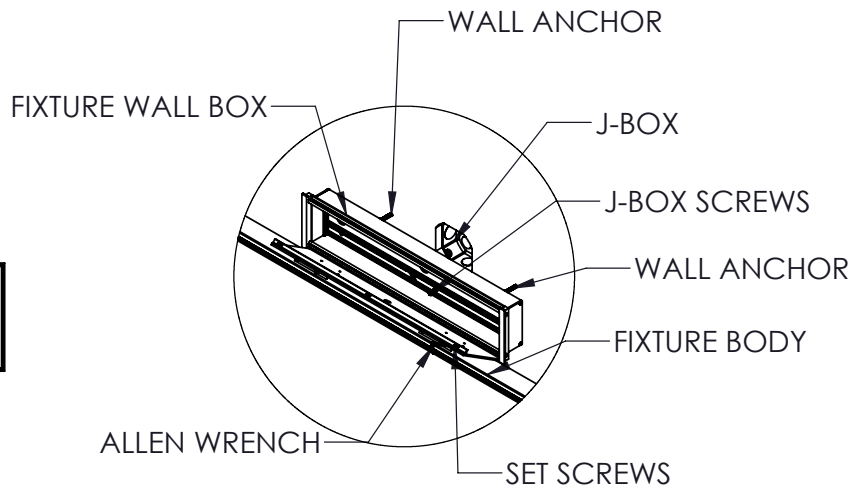
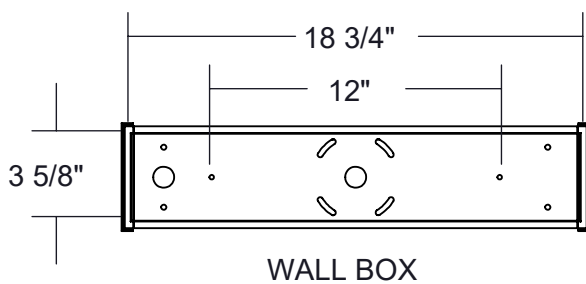
Housing Installation



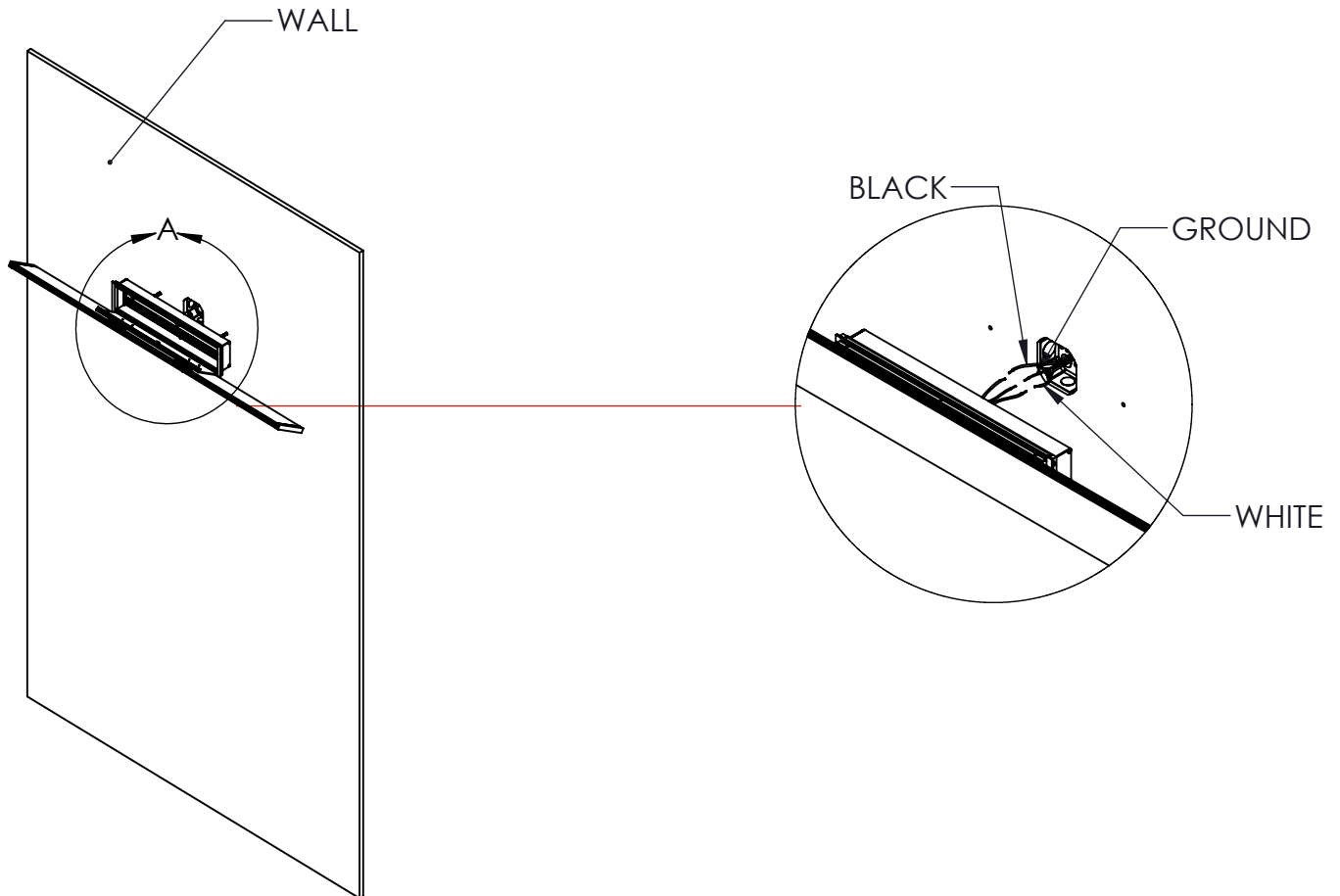
TYPICAL WALL INSTALLATION OVER J-BOX WITH ADDITIONAL ANCHORS



TYPICAL INSTALLATION USING WALL ANCHORS (by others)

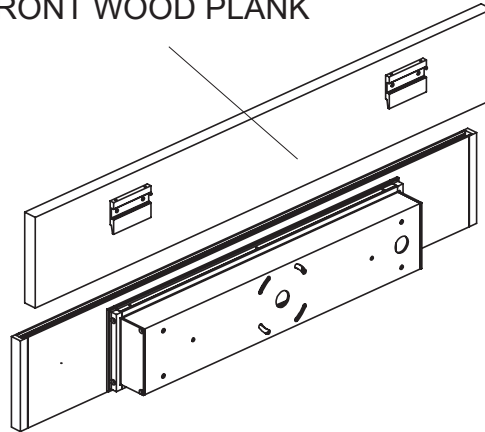


Wiring Installation

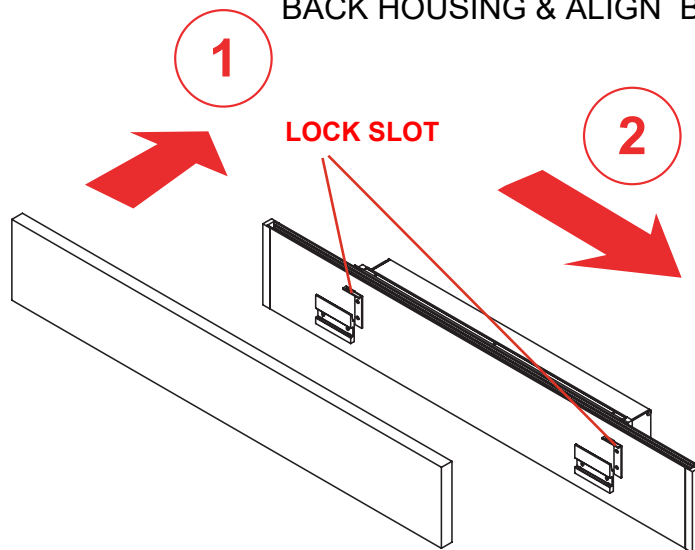


Mounting Pattern

BACK OF FRONT WOOD PLANK



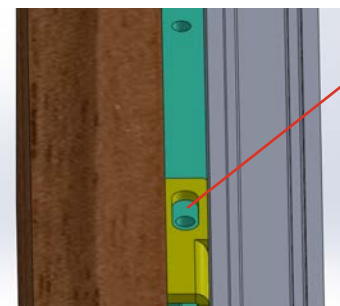
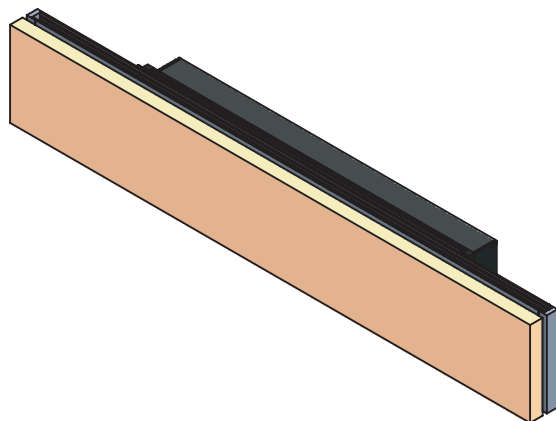
PLACE THE BACK SIDE OF WOOD PLANK AGAINST THE BACK HOUSING & ALIGN BOTH TOP SURFACES.



SLIDE THE FRONT WOOD PLANK FROM LEFT TO RIGHT DIRECTION UNTIL ITS RIGHT SIDE IS ALIGN WITH BACK HOUSING'S RIGHT SIDE SURFACE.



INSERT THE SET SCREWS INTO THE LOCK SLOT TO SECURE FRONT & BACK POSITION TO COMPLETE THE ASSEMBLY



LOCK SLOT