



**INSTRUCTIONS PERTAINING TO RISK OF FIRE OR INJURY TO PERSONS. READ ALL INSTRUCTIONS. IMPORTANT SAFETY INSTRUCTIONS. SAVE THESE INSTRUCTIONS.**

**DANGER - RISK OF SHOCK - DISCONNECT POWER BEFORE INSTALLATION! Please read all instructions before installation.**

- Keep these instructions for future reference.
- Must be installed by a qualified electrician in accordance with national and local standards. Designplan is not responsible for fixtures installed without regard to these standards.
- Unauthorized alterations or tampering of product voids warranty.
- The main power connection must be in accordance with local electrical codes.
- Suitable for INDOOR applications.



## Maintenance

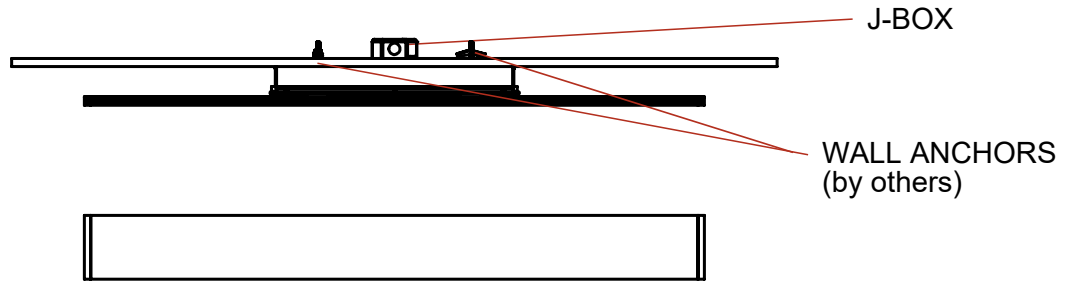
Scheduled maintenance must be carried out once a year on all lighting devices, regardless of appliance class and type of use. It must include the following operations:

- Periodically clean fixtures to remove dirt from gratings and screw heads.
- Check tightness of screws on various parts of the device.
- Check that all cable glands and cables are intact and tight. Check that the glass or plastic lens is intact, and replace it if broken or damaged.
- The internal components such as the ballast, driver, washers and screws must not show clear signs of oxidation or rust. Clear traces of rust and oxidation will indicate the presence of water inside the device.
- In the case of damage, the components must be replaced by original components or spare parts.

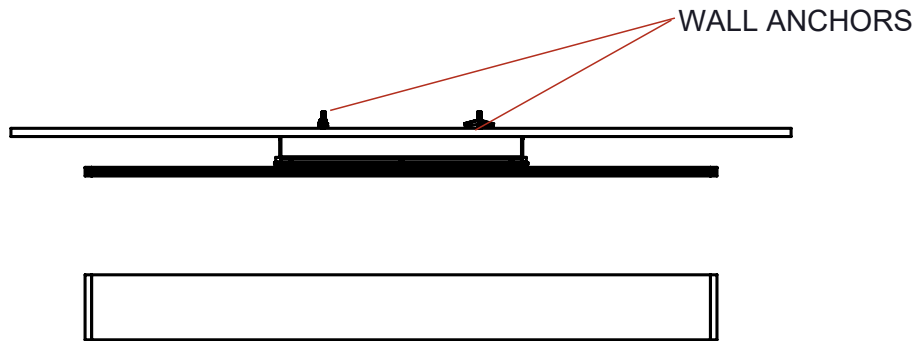
## Fixture Installation

- Fixture consists of a wall box housing with cover, and the fixture body. Before installing the fixture to the wall using the J-Box screws and anchors, the fixture must be connected to the power source. Make sure power is off before connecting. The fixture needs to be supported either by a second person or some other method, while the connections are being made.
- 1. Open fixture wall box using supplied Allen wrench.
- 2. Mark location of anchors ( Supplied by others ) by making proper layout as per provided dimensions or by tracing it from the wall box directly.
- 3. Raise the fixture and make an electrical connection using proper wire nuts (not supplied). CONNECT GREEN WIRE TO "GROUND", CONNECT WHITE BUILDING WIRE TO WHITE FIXTURE WIRE. CONNECT BLACK BUILDING WIRE TO BLACK FIXTURE WIRE.
- 0-10V DIMMING APPLICATIONS THE PURPLE IS THE POSITIVE (+) AND THE GRAY IS NEGATIVE (-). IF DIMMING IS NOT REQUIRED SIMPLY CAP OFF ENDS.
- 4. Push the wires into the J-box and install J-box screws and anchors. Make sure the fixture is perfectly leveled.
- 5. Raise the fixture body, push all wires in and close the wall box using the supplied Allen wrench.
- The entire weight of fixture is supported by the junction box and anchor bolts. It is contractor's responsibility to provide proper support to the junction box, and use Anchor bolts rated to support the weight of the fixture.
- The power can be energized and the fixture is now ready for use.

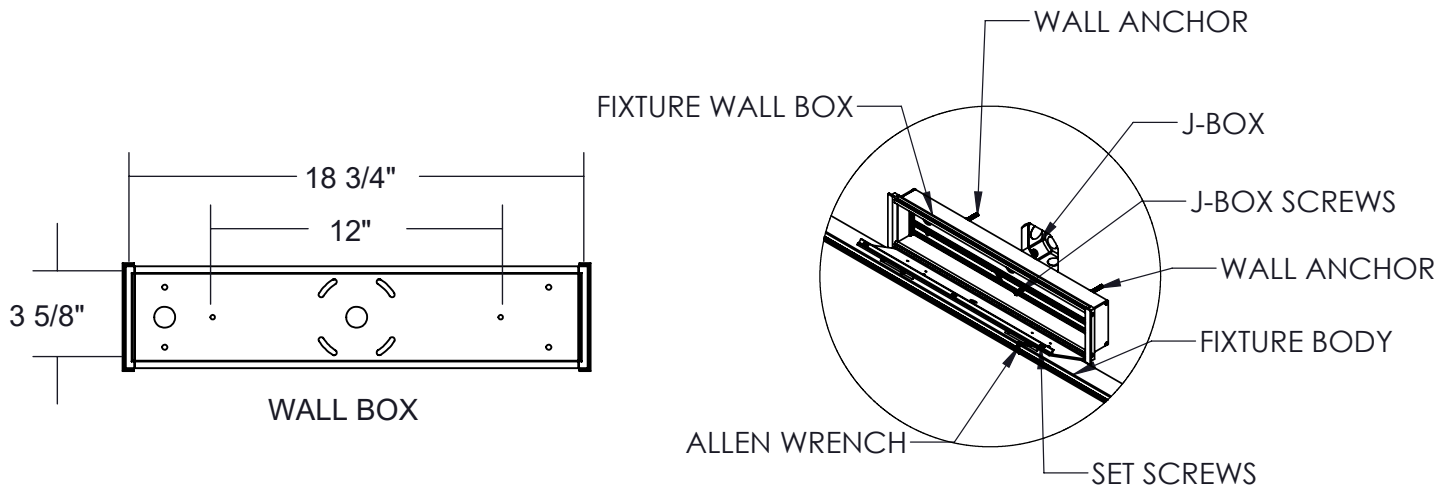
## Housing Installation



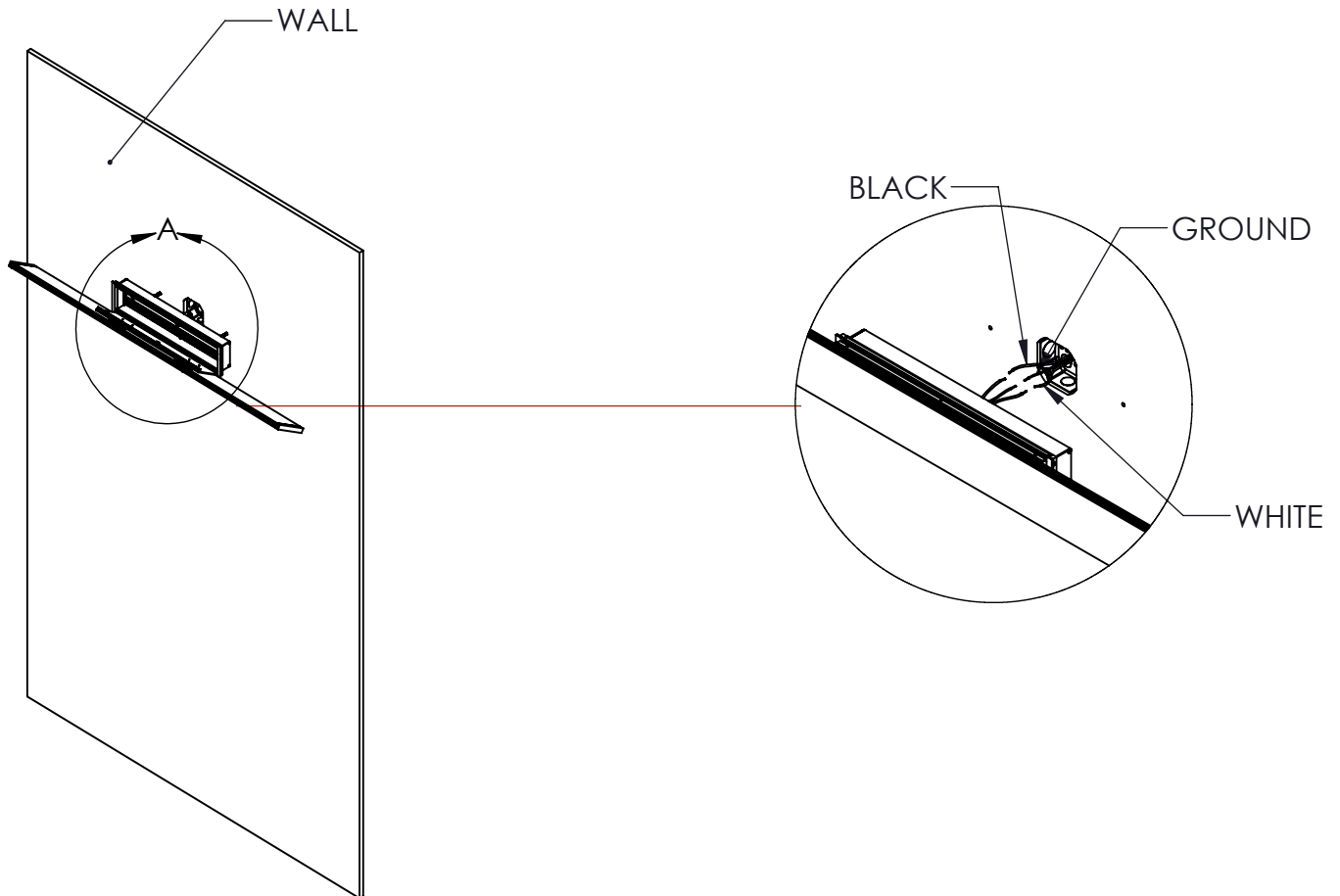
TYPICAL WALL INSTALLATION OVER J-BOX WITH ADDITIONAL ANCHORS



TYPICAL INSTALLATION USING WALL ANCHORS (by others)

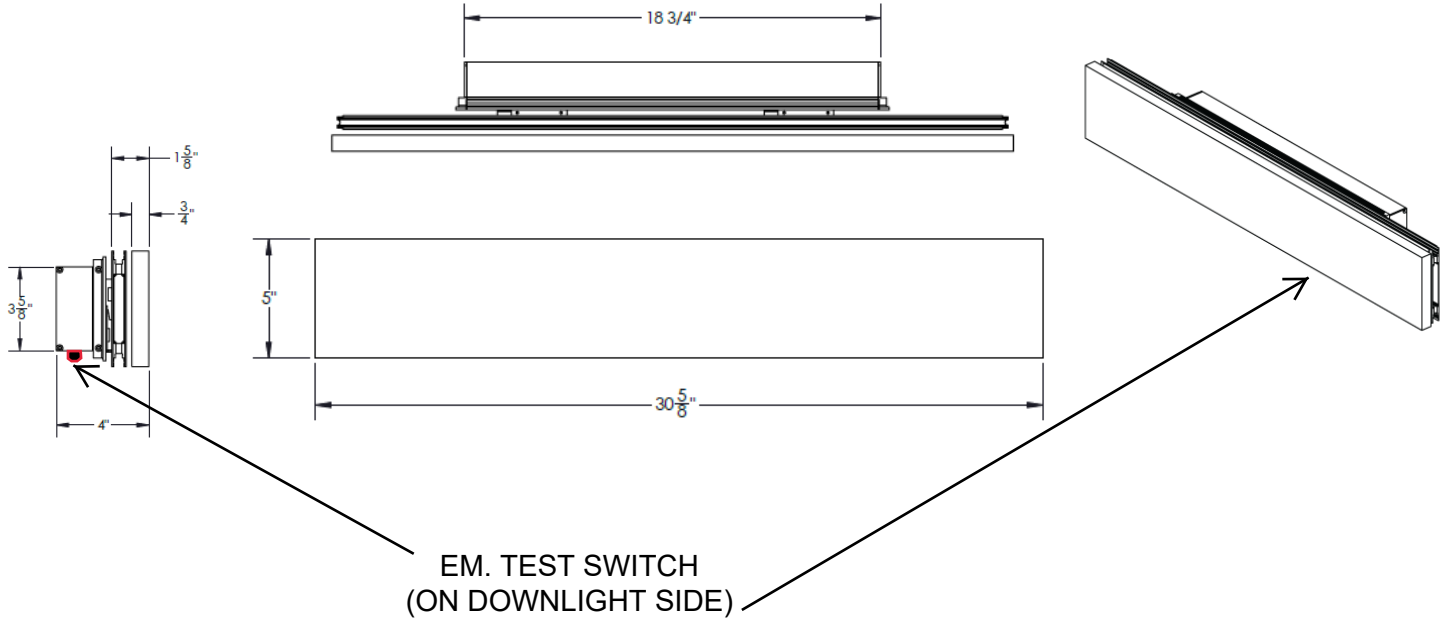


## Wiring Installation



## Mounting Pattern

2.5FT



## Emergency Driver Installation (Nine Canopy)

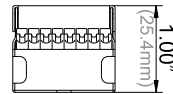


- Install 2100mA Emergency LED Driver as shown in the Nine Canopy, making sure to make appropriate wiring connections.
- Install this driver for each canopy as required.

## FHSAC1-UNV-70S

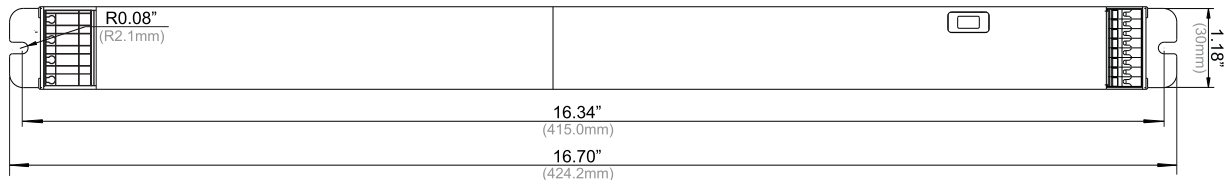


### Mechanical Drawings



SIDE VIEW

Overall Dimensions	
Length	16.70" [424.2mm]
Width	1.18" [30mm]
Height	1.00" [25.4mm]



TOP VIEW

Tolerance = ±0.02"

### Wire Diagram



TOP VIEW

### NOTES :

- 1) This driver must be installed by a licensed electrician.
- 2) This driver must be grounded.
- 3) Once the unit has entered into a self-diagnostic cycle it will not exit until it has fully concluded testing regardless of power cycling to the input. In order to exit you must manually hold the test button for 10 seconds or allow the testing to conclude.

**CAUTION:** Replace battery only with FHSBATL3-1.5HSP.

**ATTENTION:** Remplacer la batterie uniquement par une FHSBATL3-1.5HSP.

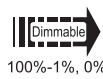
# PLANK WALL 2.5' (SURFACE MOUNTED)



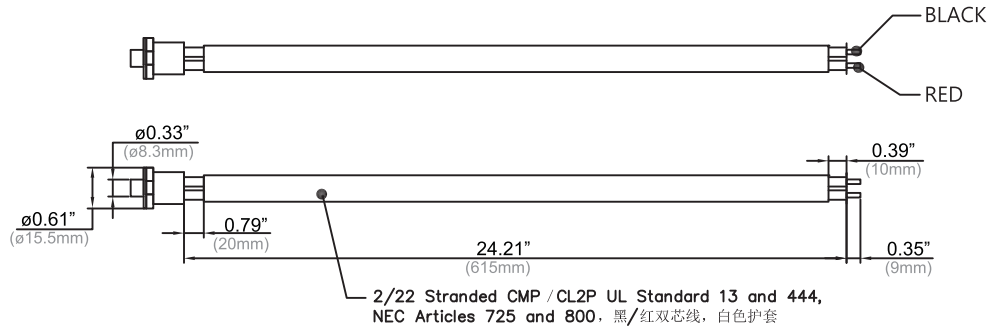
installation instructions

## FHSAC1-UNV-70S

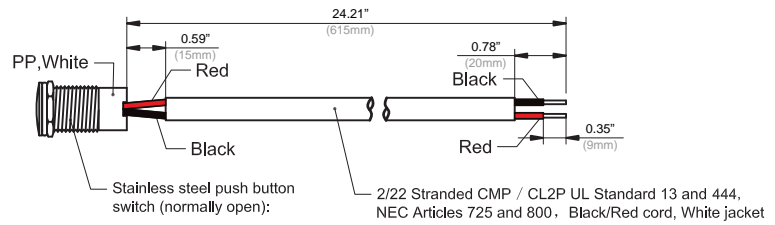
### Accessories



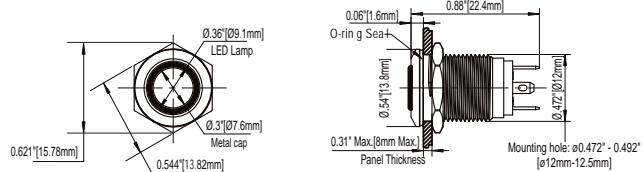
### Test Switch (Included)



### Wet Location Test Switch: FHS-TSTWL-BC (Optional)



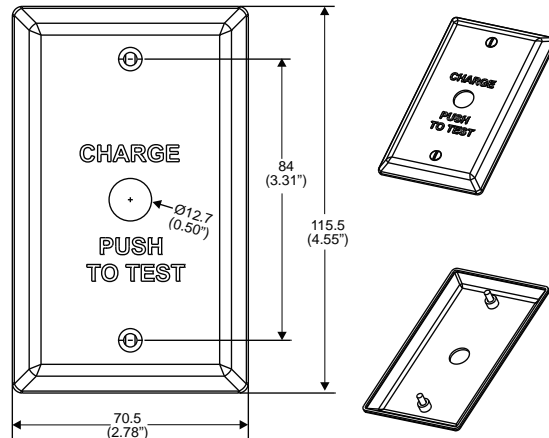
#### Overall Switch Dimension



### Wall Plate: FHSWLPWH



Wall plate and screw color: white with black lettering



1. "Charge push to Test" plate
2. (2) 6-32 x 1/2" LG mounting screws