

D700.R-CR

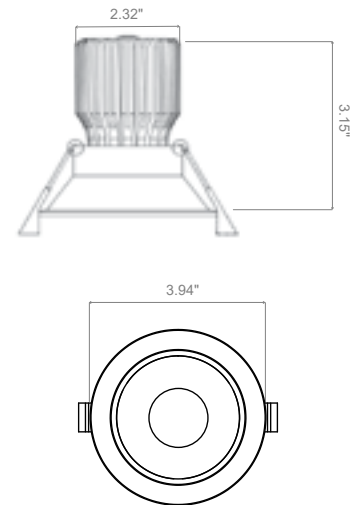
D700.R-CR is an LED recessed downlight with a minimalist look and 3 year warranty. They are suitable for indoor installation including bathrooms and spas, and designed to be low glare.



TECHNICAL DATA

Wattage / Input	9.6W (250mA)
Power Supply	Remote, not included. See page 2.
Construction	Body: Aluminum
CCT	3000K
CRI	80
Delivered Lumens	850 lm (°, 3000K)
Efficacy	85.5 lm/W (°, 3000K)
Optics	60°
Finishes	White
Lumen Maintenance	70,000 hrs L70, B10 (Ta 25°C)
Operating Temp.	-4°F to 140°F
Color Consistency	3-Step MacAdam
Fixture Dimensions	Ø3.9" x 3.2"
Cut-out Dimension	Ø3.6"
IP Rating	IP44
Warranty	3 years

Fixture Dimensions



ORDERING INFORMATION

Example: D700.R-CR-3K-36-BO-WI-0-10V.US. Accessories / Power Supplies ordered separately.

D700.R	-	CR	-	3K	-	60	-	W	-	0-10V	-	.US
Model No.				CCT		Optics		Finish		Power		
D700.R		CR - Curve		3K - 3000K		60 - 60°		W - White		0-10V - 0-10V Remote Driver		.US

Job Name/Date:

Fixture Type Designation:

SUGGESTED POWER SUPPLIES

250mA

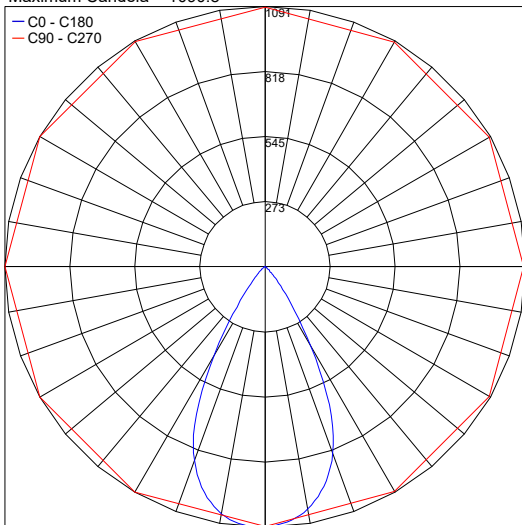
Part Number	Description	Input/Output	# of Fixtures
PPLT00290	Leading / Trailing Edge Dimming to 10% (120V only)	120-277VAC to 250mA, 16W, Class 2	1-1
PPLT00308-P	0-10V Dimming to 0.1%	120-277VAC to 250mA, 30W, Class 2	1-1
PPLT00467-P	0-10V Dimming to 1.0%	120-277VAC to 250mA, 50W, Class 2	1-1

For other power supply options consult factory.

PHOTOMETRIC DATA

Note: All photometry is 3000K

Maximum Candela = 1090.8



PHOTOMETRIC FILENAME : D700.R-CR-3K-60_IES.IES

Job Name/Date:

Fixture Type Designation: