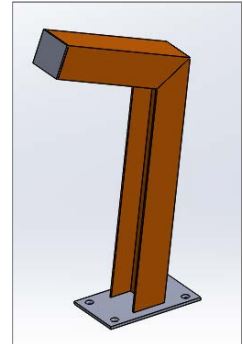




INSTRUCTIONS PERTAINING TO RISK OF FIRE OR INJURY TO PERSONS. READ ALL INSTRUCTIONS. IMPORTANT SAFETY INSTRUCTIONS. SAVE THESE INSTRUCTIONS.

DANGER - RISK OF SHOCK - DISCONNECT POWER BEFORE INSTALLATION! Please read all instructions before installation.

- Keep these instructions for future reference.
- Must be installed by a qualified electrician in accordance with national and local standards. Designplan is not responsible for fixtures installed without regard to these standards.
- Unauthorized alterations or tampering of product voids warranty.
- The main power connection must be in accordance with local electrical codes.
- Suitable for OUTDOOR applications.



ATTENTION: For Surface - It is the contractor's responsibility to caulk around all the edges between the fixture and the mounting surface to satisfy wet label requirements.

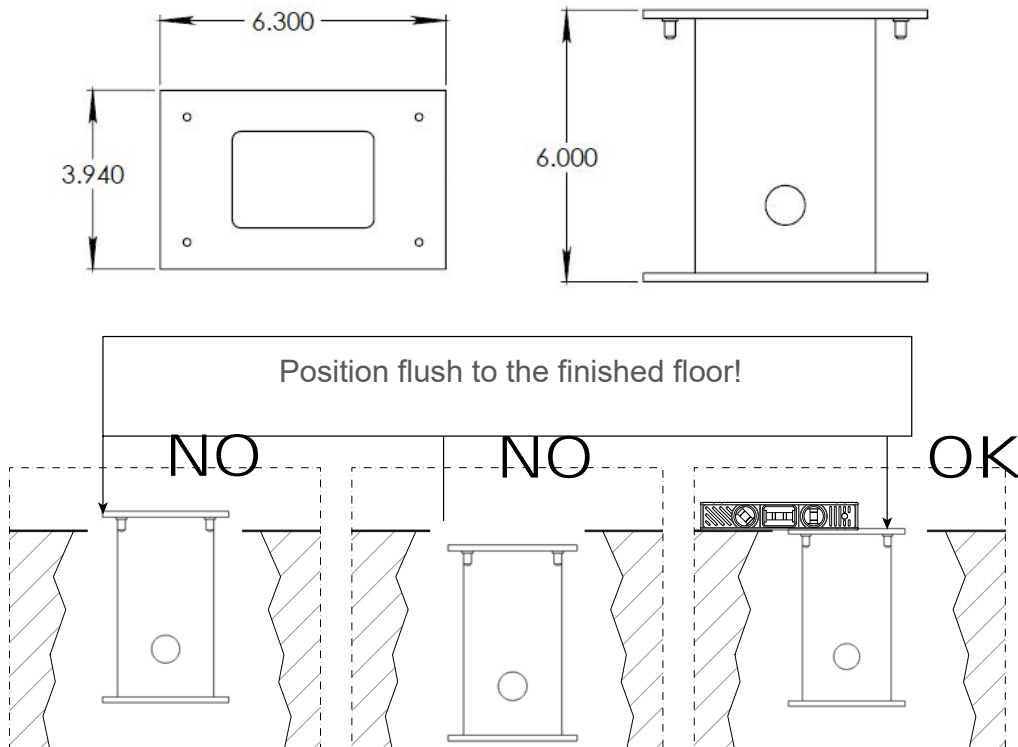
For In-Grade - It is the contractor's responsibility to seal the conduit with "Great Stuff" aerosol seal that prevents water and moisture penetration for ultimate protection. Contractor **MUST** use gel-filled wire nuts.

Maintenance

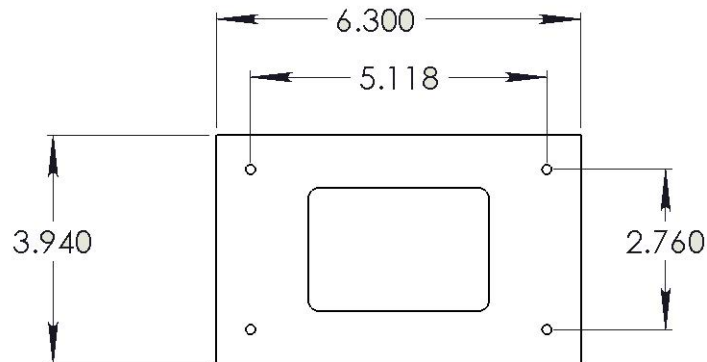
Scheduled maintenance must be carried out once a year on all lighting devices, regardless of appliance class and type of use. It must include the following operations:

- Periodically clean fixtures to remove dirt from gratings and screw heads.
- Check tightness of screws on various parts of the device.
- Check that all cable glands and cables are intact and tight. Check that the glass or plastic lens is intact, and replace it if broken or damaged.
- The internal components such as the ballast, driver, washers and screws must not show clear signs of oxidation or rust. Clear traces of rust and oxidation will indicate the presence of water inside the device.
- In the case of damage, the components must be replaced by original components or spare parts.

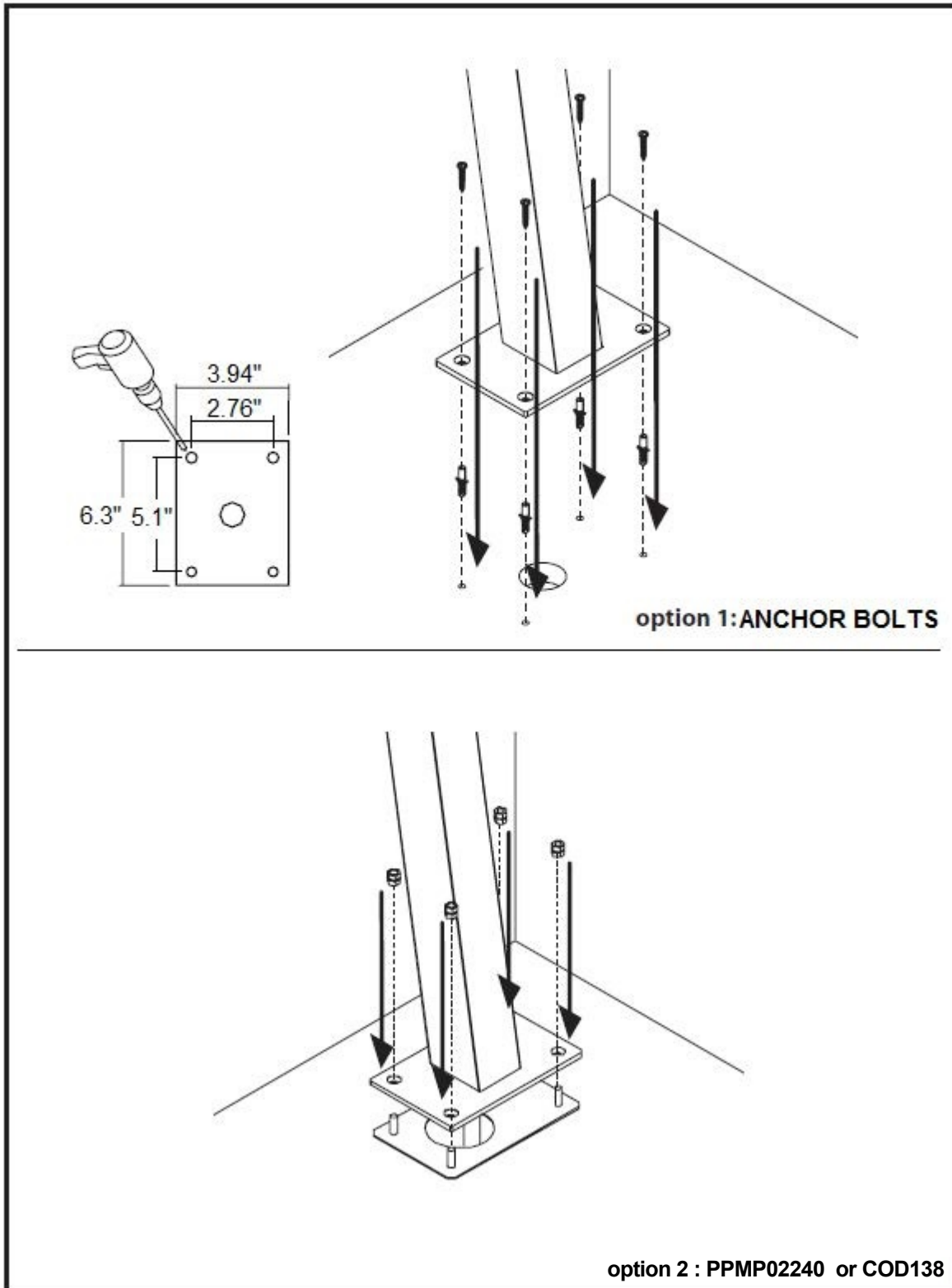
Housing Installation (PPMP02240)

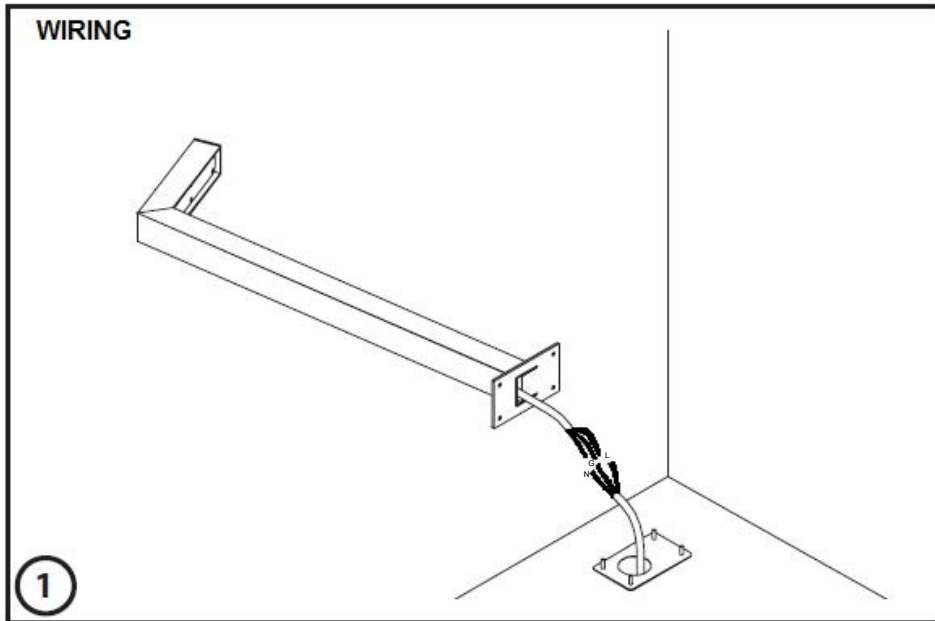


- Use 7-12" of drainage gravel - check functionality: fill tube with water and verify full drainage within 30 min. If water remains, please utilize a different drainage system that functions properly. Contractor to seal the conduit with "Great Stuff" aerosol seal.
- Use proper watertight-conduit for incoming power feed.
- Close all other conduit holes to satisfy wet label requirement.

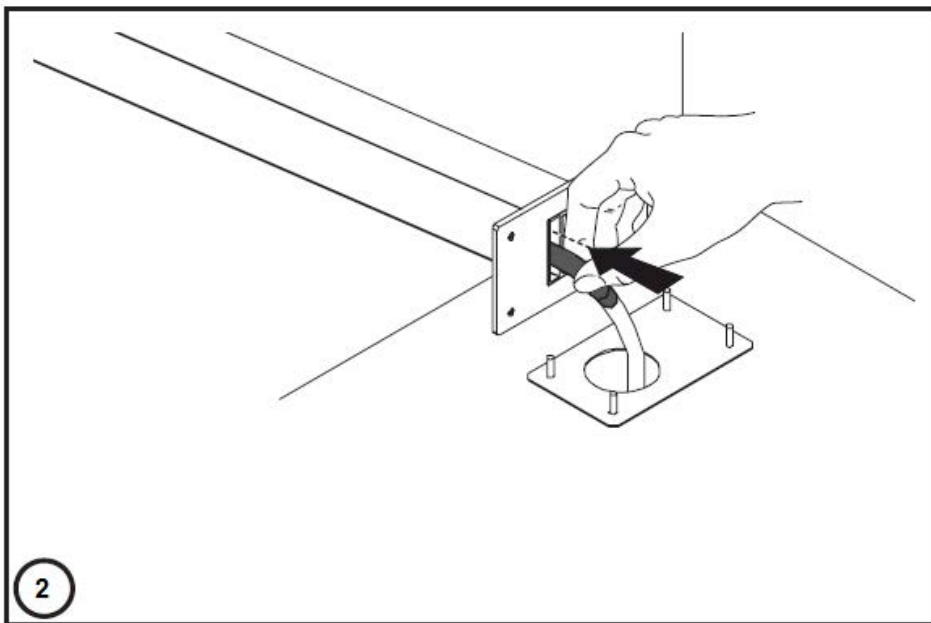
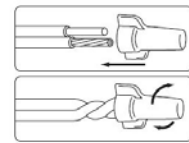


Fixture Installation



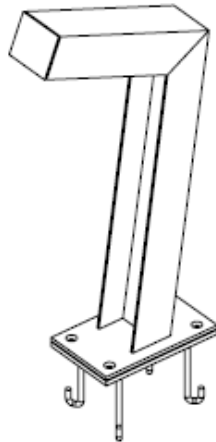
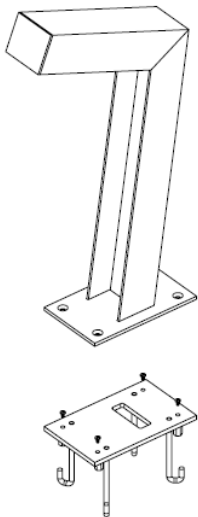
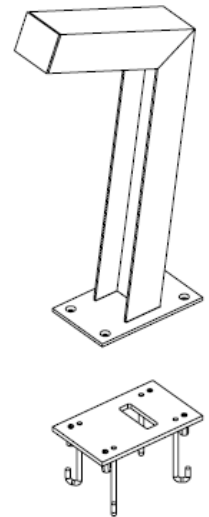
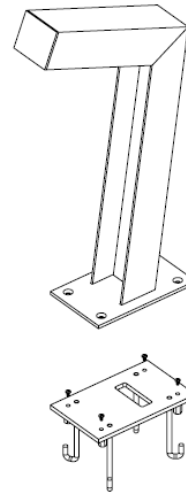
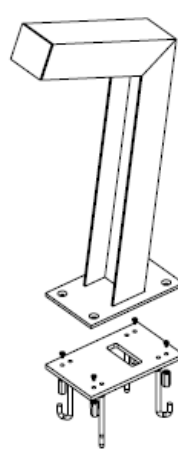
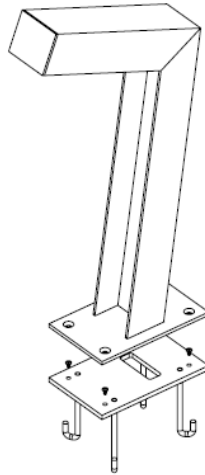
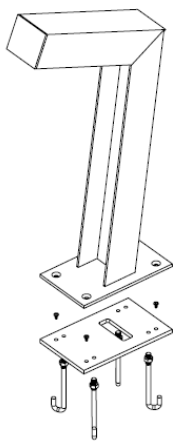
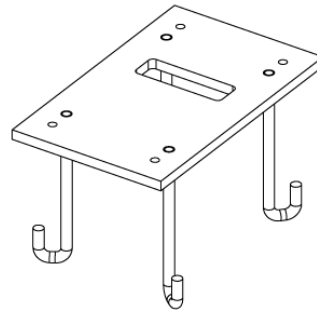
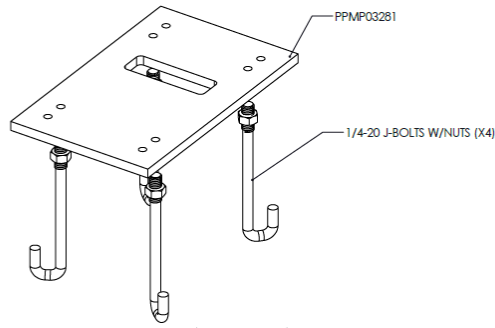


Always Use
gel-filled waterproof
wire nuts
to connect wires.



It is the contractor's
responsibility to caulk around
the edges in between the
fixture and the mounting
surface, to satisfy wet label
requirements.

AM-00014 Mounting Base Assembly Instructions



- Mounting base assembly is to be assembled before concrete is poured.
- Secure and tighten (4) 1/4-20 J-bolts with nuts (provided) to the 4 inner holes of plate PPMP0281 as shown in the first image.
- Once J-bolts with nuts are fully secured to the plate (second image), secure the (4) coupling nuts on the bottom of the plate while screwing in (4) 1/4-20 x 5/8 Pan Head screws on the outer holes of the plate (3rd, 4th, and 5th image) to hold the coupling nuts in place.
- Concrete may be poured after this step. Once concrete is poured and set, the (4) pan head screws may be removed as shown.
- The fixture then may be secured to the base plate.