

Kasandra is an outdoor LED bollard with a 9.8" long slanted head that is offered in 2 different heights: nominal 20.0" or 35.5". It is offered in static white, tunable white or RGB with 5 standard finishes.

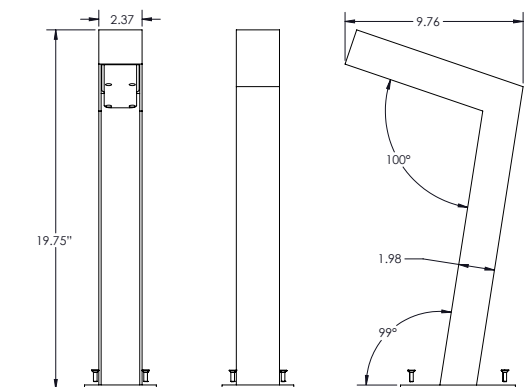


**MADE IN THE U.S.A.**

## TECHNICAL DATA

<b>Wattage</b>	12W (Static White, Tunable White) 13W (RGB)
<b>Power Supply</b>	Integral 120VAC (Static White only) Remote, not included - See page 2 (350mA RGB, 500mA Tunable, 350mA Static White)
<b>Dimming</b>	Dimming based on remote power selected. 0-10V Dimming - Integral (Static White Only)
<b>Construction</b>	Body: Aluminum Lens: Clear
<b>CCT</b>	2700K, 3000K, 4000K (static white) 2700K-5000K (tunable white) RGB
<b>BUG Rating</b>	B0-U1-G0
<b>CRI</b>	>80
<b>Delivered Lumens</b>	1000 lm (Static 3000K)
<b>Efficacy</b>	83.3 lm/W (Static 3000K)
<b>Optics</b>	180°
<b>Finishes</b>	6 Standard, Custom RAL on request
<b>Fixture Dimensions</b>	2.4" w x 9.8" head length x 19.8" or 35.4" pole h
<b>IP Rating</b>	IP65

Fixture Dimensions



## ORDERING INFORMATION

*Example: AL-L-19-40-02-C-0. Accessories / Power Supplies ordered separately.*

AL-L	-		-		-		-	0
------	---	--	---	--	---	--	---	---

Model #	Height	CCT	Finish	Dimming	Options
AL-L	19 - 19.8" 35 - 35.4"	27 - 2700K 30 - 3000K 40 - 4000K RG - RGB TW - Tunable White (2700K-5000K)	11 - White Suede 02 - Black Suede 03 - Gray 18 - Tex. Bronze TS - Silver DH - Anthracite C - Custom	<b>R</b> - <u>Remote</u> Driver (for Tunable White, RGB & Static White)  <b>L</b> - Lutron Dimming <u>Remote</u> Driver (Static White)  <b>C</b> - Integral 120VAC - 0-10V Dimming For Static White Only  <div style="border: 1px solid black; padding: 5px; width: fit-content;">See page 2 for remote power supply options</div>	<b>0</b> - None  <b>BL</b> - Blade Louvre

Job Name/Date:

Fixture Type Designation:

## SUGGESTED POWER SUPPLIES

### Tunable White - 500mA Remote Drivers

Part Number	Description	Input/Output	# of Fixtures
<a href="#">PPLT00548-P</a>	0-10V Dimming (to 10%)	120-277VAC to 500mA, 50W, Class 2	1-2

### RGB - 350mA Remote Drivers

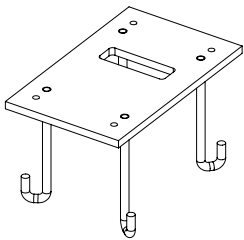
Part Number	Description	Input/Output	# of Fixtures
<a href="#">PPLT00244-P</a>	DMX / RDM (Must advise DMX addresses if not using RDM)	120-277VAC to 350mA, 50W, Class 2	1-4
<a href="#">PPLT00129-P</a>	DMX / RDM (Field Addressable)	120-277VAC to 350mA, 100W, Class 2	1-4

### Lutron Compatible - Static White - 350mA Remote Driver

Part Number	Option	Lutron SKU	Dim Range	Description	Input/Output	# of Fixtures
<a href="#">PPLT00516</a>	L3DAE / L3DA3W	L3DA	100%-1%	Hi-Lume™ 1% EcoSystem™ or 1% 3-Wire LED Driver	120-277VAC to 350mA , 13W, Class 2	1-1

For other power supply options consult factory.

## ACCESSORIES - Installation



**AM-00014**  
Mounting Base  
Assembly

## PHOTOMETRIC DATA

Coming Soon

Job Name/Date:

Fixture Type Designation: