

Centaur C1.0

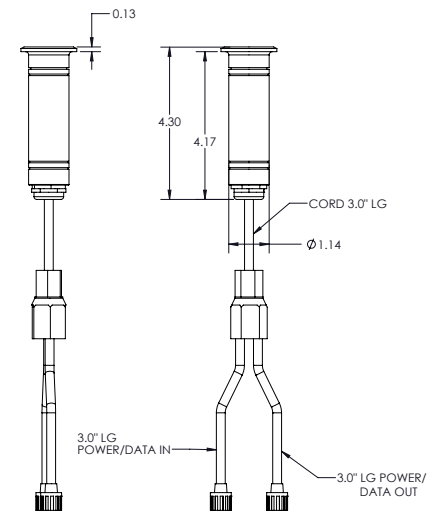
The Centaur C1.0 is a 1.5" diameter in-grade upright made of stainless steel that is suitable for power washing and is driveover rated up to 11,000 lbs. It is available in RGBW or RGBA (A for Amber). Field addressable.

TECHNICAL DATA

Wattage / Input	4W (24VDC)
Power Supply	Remote, not included. See page 2.
Construction	Body and Trim: Stainless Steel 316 Alloy Lens: 0.4" Clear Tempered Glass Lens Frame: Threaded Bottlecap
CCT	RGBW or RGBA (Amber in 2000K)
CRI	>80
BUG Rating	B0-U3-G0 - All Channels B0-U2-G0 - Red B0-U2-G0 - Green B0-U1-G0 - Blue B0-U2-G0 - White
Delivered Lumens	RGBW: 62 lm R: 12 lm, G: 30 lm, B: 9 lm, W: 22 lm
Efficacy	31 lm/W
Optics	30° standard
Finishes	Stainless Steel 316 Alloy
Fixture Dimensions	Ø1.5" x 4.3" h
LED Source	RGBW or RGBA LED
IP Rating	IP68, IP69K
Driveover Rated	11,000 lbs



Fixture Dimensions



ORDERING INFORMATION

Example: C1.0-L-1-4-SS-1-X-T-00.

C1.0-L	-		-	4	-	SS	-		-	X	-	T	-	00
--------	---	--	---	---	---	----	---	--	---	---	---	---	---	----

Model #	CCT / Wattage	Body	Finish	Optics	Driver	Lens	Options
C1.0-L	1 - 4W, RGBW 2 - 4W, RGBA NOTE: A stands for Amber (2000K)	4 - Recessed box with conduit entries	SS - Stainless Steel	0 - None 1 - 30°	X - Remote <i>See p.2 to specify</i> RDM DMX Decoder integrate into fixture housing. Fixture required an RDM controller to address and control RGBW colors (provided by others)	T - Clear Tempered	00 - None

Job Name/Date:

Fixture Type Designation:

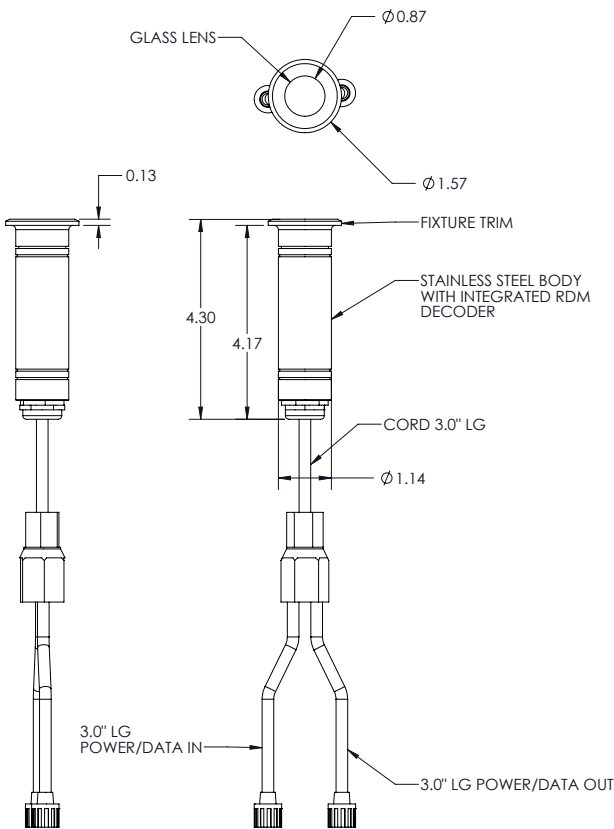
SUGGESTED POWER SUPPLIES

24VDC

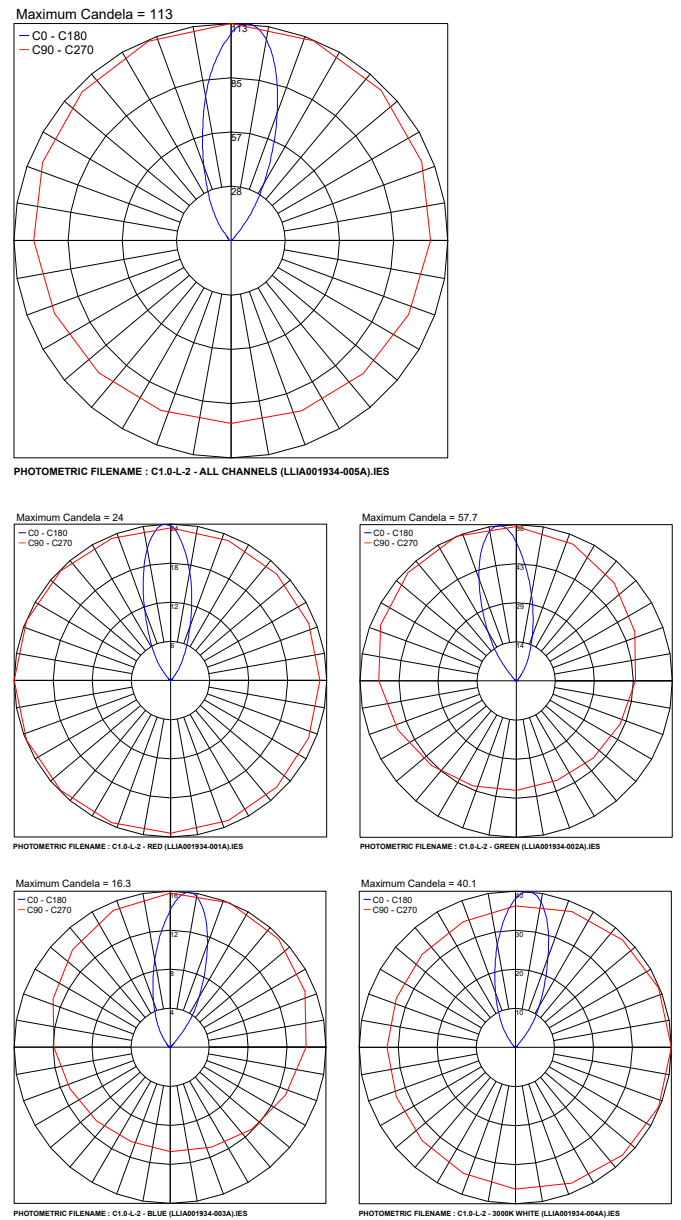
Part Number	Description	Input/Output	# of Fixtures
PPLT00128	Non-Dim	120VAC to 24VDC, 6W, Class 2, IP65	1-2
PPLT00155	Non-Dim	120VAC to 24VDC, 30W, Class 2	1-12
PPLT00157	Non-Dim	120VAC to 24VDC, 60W, Class 2	1-24

For other power supply options consult factory.

FIXTURE DIMENSIONS



PHOTOMETRIC DATA



ACCESSORIES

C1.0-OH
Outer Casing

Job Name/Date:

Fixture Type Designation: