

Q-10-R DOWNLIGHT

The Q-10-R Downlight is a vandal resistant, IP65 wet label fixture that is IC and Chicago Plenum rated. It is suitable for saunas and steam rooms, and available in white light and with a 25° x 25° optic.



MADE IN THE U.S.A.

Fixture Dimensions
(see drawing on page 2)

TECHNICAL DATA

Wattage / Input	10W (300mA)
Power Supply	Remote, not included. See page 2.
Construction	Body: 20 Ga. Cold Rolled Steel (Powder Black Finish) Neck: Die Cast Aluminum Lens: 3/16" Thick Clear or Opal Polycarbonate
CCT	2700K, 3000K, 3500K, 4000K
BUG Rating	B1-U0-G0 (3000K, 25°x25°)
CRI	>90
Delivered Lumens	1004 lm (3000K)
Efficacy	100.4 lm/W
Optics	25° x 25°
Finishes	5 Standard, plus 4 Marine Grade. See Below.
Fixture Dimensions	5.6" x 5.6" - 12.6 l x 8.06 h (see drawing on page 2)
Aperature	3.6" x 3.6"
LED Source	Citizen COB
Lumen Maintenance	L70>50,000hrs (Ta 25°C)
Color Consistency	1x2 MacAdam Ellipse (1x2 SDCM)
IP Rating	IP65
Temperature Rating	Tested to 90°C room ambient

ORDERING INFORMATION

Example: Q-10-R-L26-40-25-4-MTS-C-RMT-0. Power Supplies ordered separately.

Q-10-R-L26	-		-	25	-		-		-	RMT	-	
Model #	CCT	Optics	Body	Finish	Lens	Dimming	Options					
Q-10-R-L26	27 - 2700K 30 - 3000K 35 - 3500K 40 - 4000K	25 - 25°x25°	4 - Fully Recessed IC Rated C - Fully Recessed Chicago Plenum	11 - White Suede 02 - Black Suede 18 - Tex. Bronze TS - Silver <i>Add prefix "M" to above colors for Marine Grade Clear Overcoat</i> PN - Polished Nickel <i>Marine Grade Clear Overcoat NOT available on Polished Nickel</i>	C - Clear X - Opal R - Assym Spread	RMT - Remote Required (See page 2 for power supply options)	0 - None 4 - One Circuit Fusing 8 - Special Screws (Please specify) H - Honeycomb Louver					

Job Name/Date:

Fixture Type Designation:

Q-10-R DOWNLIGHT

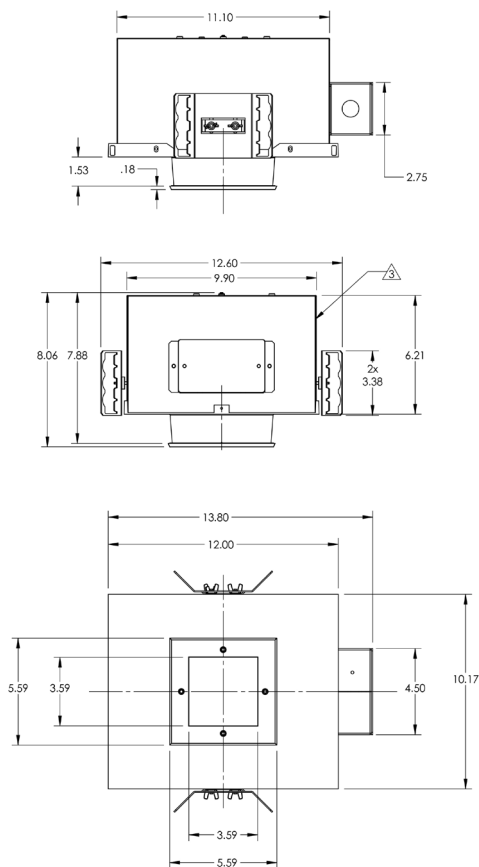
SUGGESTED POWER SUPPLIES

300mA

Part Number	Description	Input/Output	# of Fixtures
PPLT00480-P	0-10V Dimming to 1.0%	120-277VAC to 300mA, 30W, Class 2, DAMP	1-1
PPLT00467-P	0-10V Dimming to 1.0%	120-277VAC to 300mA, 50W, Class 2, DAMP	1-1
PPLT00538-P	0-10V Dimming to 0.1%	120-277VAC to 300mA, 100W, Class 2	1-1 (1-4)

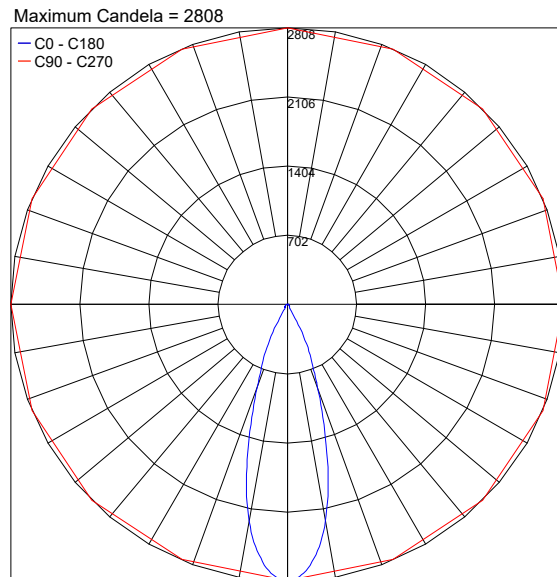
For other power supply options consult factory.

FIXTURE DIMENSIONS



PHOTOMETRIC DATA

Note all Photometry is 3000K



PHOTOMETRIC FILENAME : Q-10-R 30K CLEAR LENS - LLIA002183-002A.IES

Job Name/Date:

Fixture Type Designation: