

# R-10-R DOWNLIGHT

The R-10-R is a vandal resistant, IP65 wet label downlight suitable for saunas and steam rooms that is IC and Chicago Plenum rated. It is available in white light and with 2 optics options.



**MADE IN THE U.S.A.**

Fixture Dimensions  
(see drawing on page 2)

## TECHNICAL DATA

<b>Wattage / Input</b>	10W (300mA)
<b>Power Supply</b>	Remote, not included. See page 2.
<b>Construction</b>	Body: 20 Ga. Cold Rolled Steel (Powder Black Finish) Neck: Die Cast Aluminum Lens: 3/16" Thick Clear or Opal Polycarbonate
<b>CCT</b>	2700K, 3000K, 3500K, 4000K
<b>BUG Rating</b>	B1-U0-G0 (3000K, 25°)
<b>CRI</b>	>90
<b>Delivered Lumens</b>	926 lm (3000K)
<b>Efficacy</b>	92.6 lm/W
<b>Optics</b>	25°, 45°
<b>Finishes</b>	5 Standard, plus 4 Marine Grade. See Below.
<b>Fixture Dimensions</b>	Ø5.58" x 13.8 l x 8.06 h (see drawing on page 2)
<b>Fixture Weight</b>	9.2 lbs
<b>LED Source</b>	Citizen COB
<b>Lumen Maintenance</b>	L70>50,000hrs (Ta 25°C)
<b>Color Consistency</b>	1x2 MacAdam Ellipse (1x2 SDCM)
<b>IP Rating</b>	IP65
<b>Temperature Rating</b>	Tested to 90°C room ambient

## ORDERING INFORMATION

*Example: R-10-R-L26-40-25-4-MTS-C-RMT-0. Power Supplies ordered separately.*

R-10-R-L26	-		-		-		-	RMT	-	
------------	---	--	---	--	---	--	---	-----	---	--

Model #	CCT	Optics	Body	Finish	Lens	Dimming	Options
R-10-R-L26	27 - 2700K	25 - 25°	4 - Fully Recessed	11 - White Suede	C - Clear	RMT - Remote Required  (See page 2 for power supply options)	0 - None
	30 - 3000K	45 - 45°	IC Rated	02 - Black Suede	X - Opal		4 - One Circuit Fusing
	35 - 3500K		C - Fully Recessed	18 - Tex. Bronze	R - Assym Spread		8 - Special Screws <i>(Please specify)</i>
	40 - 4000K		Chicago Plenum	TS - Silver <i>Add prefix "M" to above colors for Marine Grade Clear Overcoat</i>			H - Honeycomb Louver
				PN - Polished Nickel <i>Marine Grade Clear Overcoat NOT available on Polished Nickel</i>			

Job Name/Date:

Fixture Type Designation:

# R-10-R DOWNLIGHT

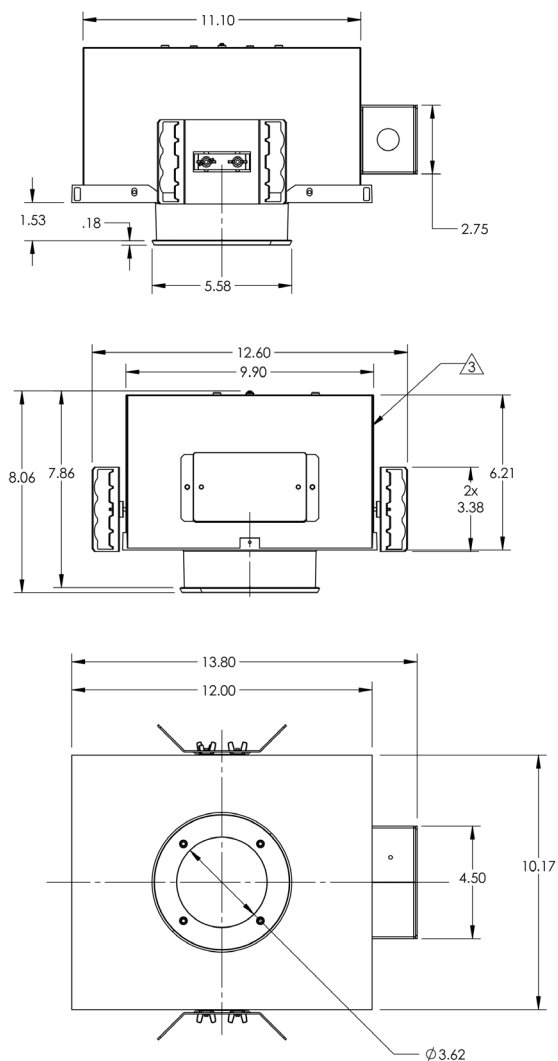
## SUGGESTED POWER SUPPLIES

300mA

Part Number	Description	Input/Output	# of Fixtures
<a href="#">PPLT00480-P</a>	0-10V Dimming to 1.0%	120-277VAC to 300mA, 30W, Class 2, DAMP	1-1
<a href="#">PPLT00467-P</a>	0-10V Dimming to 1.0%	120-277VAC to 300mA, 50W, Class 2, DAMP	1-1
<a href="#">PPLT00538-P</a>	0-10V Dimming to 0.1%	120-277VAC to 300mA, 100W, Class 2	1-1 (1-4)

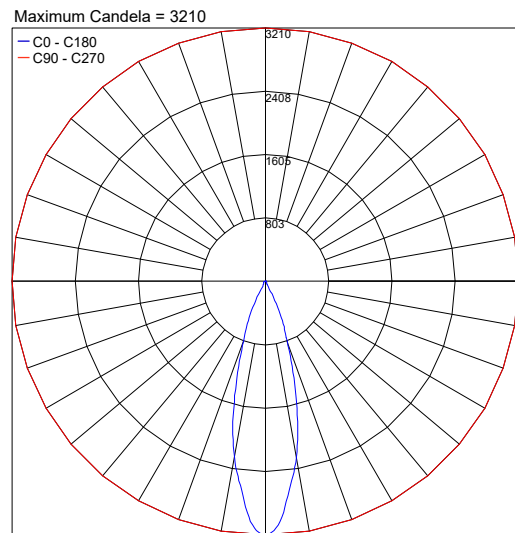
For other power supply options consult factory.

## FIXTURE DIMENSIONS



## PHOTOMETRIC DATA

Note all Photometry is 3000K



PHOTOMETRIC FILENAME : R-10-R 30K 25° CLEAR LENS - LLI1A002183-001A.IES

Job Name/Date:

Fixture Type Designation: