

RX-10-R DOWNLIGHT

The RX-10-R is a vandal resistant, IP65 wet label downlight suitable for saunas and steam rooms that is IC and Chicago Plenum rated. It is available in white light and with 2 optics options.



MADE IN THE U.S.A.

Fixture Dimensions
(see drawing on page 2)

TECHNICAL DATA

Wattage / Input	10W (300mA)
Power Supply	Remote, not included. See page 2.
Construction	Body: 20 Ga. Cold Rolled Steel (Powder Black Finish) Neck: Die Cast Aluminum Lens: 3/16" Thick Clear or Opal Polycarbonate
CCT	2700K, 3000K, 3500K, 4000K
BUG Rating	B3-U1-G0 (3500K, 22°)
CRI	>90
Delivered Lumens	900 lm (3000K)
Efficacy	90 lm/W
Optics	25°, 45°
Finishes	5 Standard, plus 4 Marine Grade. See Below.
Fixture Dimensions	Ø5.6" x 12.6" l x 8.6" h (see drawing on page 2)
Fixture Weight	9.2 lbs
LED Source	Citizen COB
Lumen Maintenance	L70>50,000hrs (Ta 25°C)
Color Consistency	1x2 MacAdam Ellipse (1x2 SDCM)
IP Rating	IP65
Temperature Rating	Tested to 90°C room ambient

ORDERING INFORMATION

Example: RX-10-R-L26-40-25-4-MTS-C-RMT-0. Power Supplies ordered separately.

RX-10-R-L26	-		-		-		-	RMT	-	
-------------	---	--	---	--	---	--	---	-----	---	--

Model #	CCT	Optics	Body	Finish	Lens	Dimming	Options
RX-10-R-L26	27 - 2700K	25 - 25°	4 - Fully	11 - White Suede	C - Clear	RMT - Remote Required (See page 2 for power supply options)	0 - None
	30 - 3000K	45 - 45°	Recessed	02 - Black Suede	X - Opal		4 - One Circuit Fusing
	35 - 3500K		IC Rated	18 - Tex. Bronze	R - Assym Spread		8 - Special Screws (Please specify)
	40 - 4000K		C - Fully	TS - Silver			H - Honeycomb Louver
			Recessed	Add prefix "M" to above colors for Marine Grade Clear Overcoat			
			Chicago				
			Plenum	PN - Polished Nickel Marine Grade Clear Overcoat NOT available on Polished Nickel			

Job Name/Date:

Fixture Type Designation:

RX-10-R DOWNLIGHT

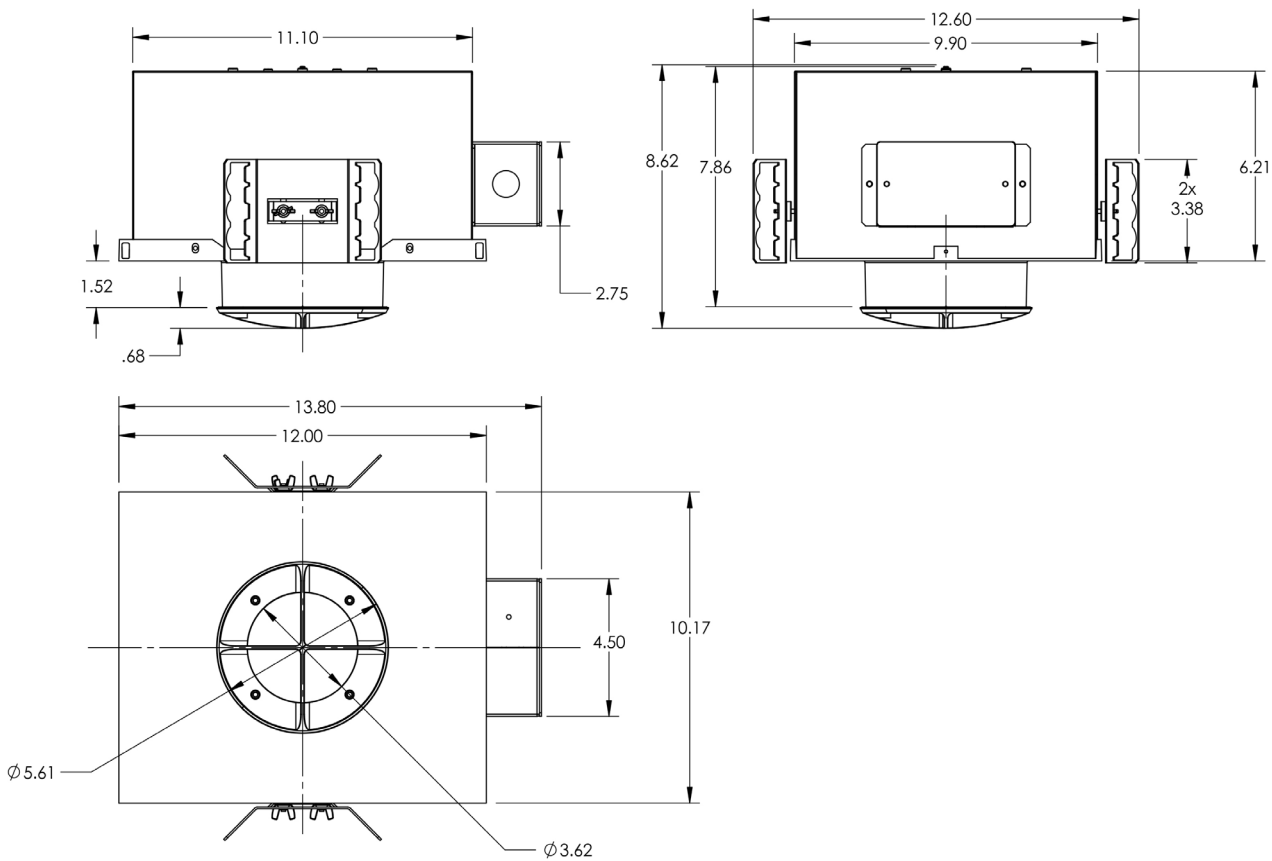
SUGGESTED POWER SUPPLIES

300mA

Part Number	Description	Input/Output	# of Fixtures
PPLT00480-P	0-10V Dimming to 1.0%	120-277VAC to 300mA, 30W, Class 2, DAMP	1-1
PPLT00467-P	0-10V Dimming to 1.0%	120-277VAC to 300mA, 50W, Class 2, DAMP	1-1
PPLT00538-P	0-10V Dimming to 0.1%	120-277VAC to 300mA, 100W, Class 2	1-1 (1-4)

For other power supply options consult factory.

FIXTURE DIMENSIONS



Job Name/Date:

Fixture Type Designation: