

W900 Cube LED Wall Light



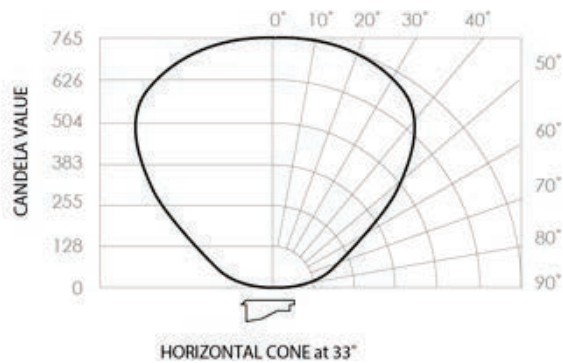
TRU-COLOUR®

Product codes

Unit: W900	Series: CB	Colour temp.: 1.8K-3.1K (Nightshift) 2.8K-5.8K (Dayshift) 2700K (2.7K) 3000K (3K) 4000K (4K) 5000K (5K)	Beam angle (°): 90.75	Colour: S (Silver) W (White)	Driver Type: PHASE (PHASE) ZIGBEE (ZIGBEE 3.0) CASAMBI (CASAMBI)
----------------------	----------------------	--	---------------------------------	---	---

Photometrics

Standard Products



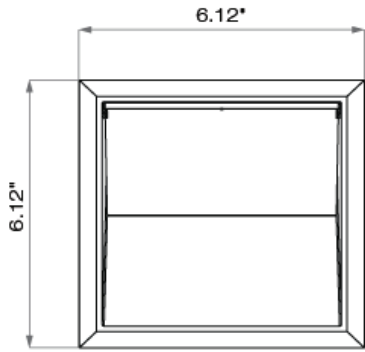
HORIZONTAL CONE at 33°
Source lumen output: 1020 lm
Delivered lumen: 900 lm
Efficacy: 50 lm/W
Color temp.: 3000K
Beam angle: 90/75°
CRI: 97
Standard Deviation of color matching (SDCM): 2-MacAdams Steps

designplan®

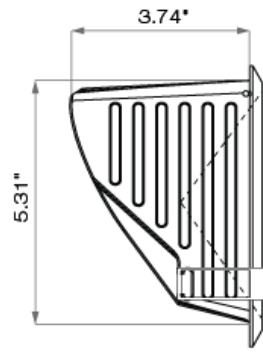
brightgreen®

Dimensions (in)

Front view



Side view



Electrical

Power usage:
18W

Driver power factor:
>0.98

IP rating:
IP43

Surge protection:
3100V

AC Cable length:
4.92'

Dimmable:
Yes

DC Cable Length:
0.98'

Operational

Operating temp.:
-22 to 185°F

Average temp.:
132.8°F

Ambient temp.:
-18.4 to 149°F

Lifetime L70, B10:
70,000 hrs (@TA25)

Source Lumens:
1020 lm

SDCM:
2-MacAdam Steps

Physical

Weight:
2.04 lbs

Gimbal angle:
N/A

Warranty:
7 years

Version:
1.5

Compatibility

Recommended Dimmers:

Compatible with leading home automation systems and dimmers.

Recommended Dimmers:

Universal, Trailing Edge, Leading Edge.

Dayshift CCT (2.8K-5.8K) requires a ZIGBEE or DALI driver

Brightgreen Smart Lighting:

Dimmable LED driver utilises Zigbee 3.0 protocol

Compatible with universal Zigbee Hub products such as Philips Hue Samsung Smart Things.

Follow pairing procedure found in smart driver datasheet