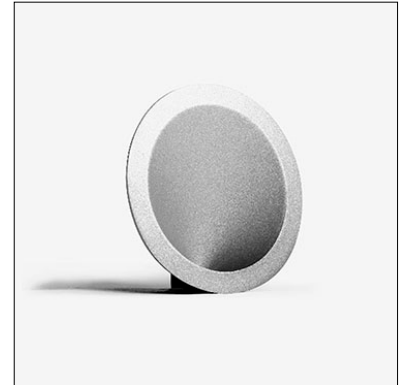


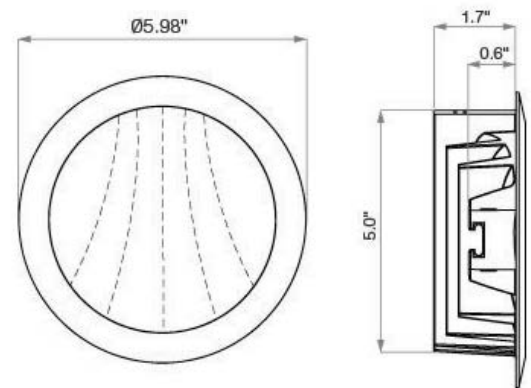
W900-CR is a round, recessed LED wall light suitable for indoor installation with Tru-Colour® 97 CRI and a 7 year warranty. It is available in 2 standard finishes with a 90° beam angle and 75° gimbal angle.



TECHNICAL DATA

Wattage / Input	16W (350mA)
Power Supply	Remote, not included. See page 2.
Construction	Body: Cable Length: AC - 4.92', DC 0.98'
CCT	1800K-3100K (Night Shift), 2700K, 3000K, 4000K, 2700K-6500K (Day Shift), 5000K
CRI	98 (Tru-Colour®)
Delivered Lumens	900 lm (3000K)
Efficacy	56.3 lm/W (3000K)
Optics	90° Beam Angle 75° Gimbal Angle
Finishes	Silver, White
Lumen Maintenance	70,000 hrs L70, B10 (Ta 25°C)
Operating Temp.	-22 to 185°F
Color Consistency	2-Step MacAdam
Fixture Dimensions	Ø6.0" x 1.7"
Fixture Weight	1.94 lbs
Gimbal Angle	N/A
IP Rating	IP43
Warranty	7 years

Fixture Dimensions



Tru-Colour® lights score a 98 on the color rendering index (CRI) which is the top rating for high CRI LEDs. Tru-Colour LEDs contain about a billion colours, which is more than any other white LED on the market. All these colors in one small LED means that you see colors as they really are. Tru-Colour has TM-30 color fidelity and the purest red on the market - Rf CES07 (R9 on the old CRI scale).

ORDERING INFORMATION

Example: W900-CR-3K-90.75-S.US. Power Supplies ordered separately.

W900	-	CR	-		-	90.75	-		-	.US
Model No.				CCT		Optics		Finish		
W900		CR - Curve		1.8K.3.1K - Night Shift (1800-3100K) 2.7K - 2700K 2.8K.5.8K - Day Shift (2800-5800K) 3K - 3000K 4K - 4000K 5K - 5000K		90.75 - 90° / 75°		S - Silver W - White		.US

Job Name/Date:

Fixture Type Designation:

SUGGESTED POWER SUPPLIES

350mA

Part Number	Description	Input/Output	# of Fixtures
PPLT00465-P	0-10V Dimming to 1.0%	120-277VAC to 350mA, 20W, Class 2, DAMP	1-1
PPLT00263	Leading / Trailing Edge Dimming to 10% (120V only)	120-277VAC to 350mA, 32W, Class 2	1-1
PPLT00538-P	0-10V Dimming to 0.1% (4 channels)	120-277VAC to 350mA, 100W, Class 2	1-1 (1-4)

Suggested Lutron Compatible

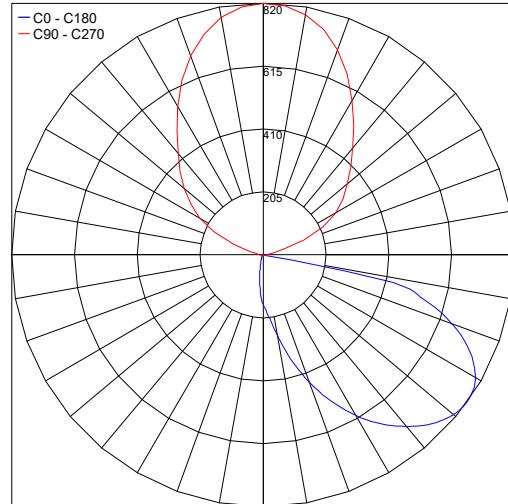
Part Number	Option	Lutron SKU	Dim Range	Description	Input/Output	# of Fixtures
PPLT00179	LTEA2W	LTEA	100%-1%	Hi-Lume™ 1% 2-Wire LED Driver (120V forward phase only)	120VAC to 350mA, 19W, Class 2	1-1
PPLT00220	L3DAE / L3DA3W	L3DA	100%-1%	Hi-Lume™ 1% EcoSystem™ or 1% 3-Wire LED Driver	120-277VAC to 350mA, 19W, Class 2	1-1

For other power supply options consult factory.

PHOTOMETRIC DATA

Note all Photometry is 3000K

Maximum Candela = 819.7



PHOTOMETRIC FILENAME : W900-CR-3K-90.75_IES.IES

Launched in 2008, Melbourne-based Brightgreen is a purpose-led B corporation that designs world-leading luminaires with patented Tru-Colour® technology. As a certified B Corp, Brightgreen meets the highest standards for social and environmental performance, transparency, and accountability—using its business for the greater good.
www.bcorporation.net/en-us/find-a-b-corp/company/brightgreen

Job Name/Date:

Fixture Type Designation: