

BERICA S 1.1

Berica S is a family of slim, suspended, double beam fixtures suitable for indoor installation in retail, office, hospitality and residential spaces. It is available in 3 sizes and 3 different styles of cover - convex, flat and concave, and 4 standard finishes or a primer coating. Berica S 1.1 is a convex 46.5" version available in 3 color temperatures, 3 upper optics options and diffuse lower.

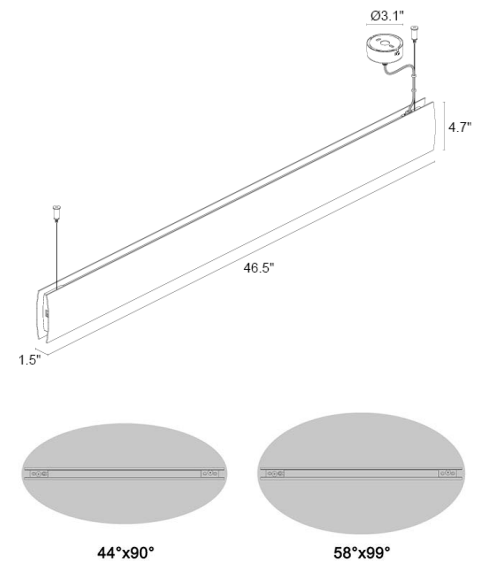


TECHNICAL DATA

Wattage / Input	28W (120-277VAC)
Power Supply	Integral - 0-10V Dimming
Construction	Body/Cover: Anticorodal Aluminum Canopy: Steel
CCT	2700K, 3000K, 4000K
CRI	>90
Delivered Lumens	2320 lm (3000K, 44°x90° + diffuse)
Efficacy	82.9 lm/W (3000K, 44°x90° + diffuse)
Optics	Down - 3 Standard, Up - Diffuse
Finishes	5 Standard, see below
Fixture Dimensions	46.5" l x 4.7" h x 1.5" w
Fixture Weight	8.38 lbs
LED Source	180 Mid Power LEDs
Lumen Maintenance	L90, B10 >60,000hrs (Ta 25°C)
Color Consistency	3-step MacAdam
Operating Temp.	32°F to +113°F
IP Rating	IP40

Non-standard lengths available on request, single-beam version available on request. Casambi-compatible version, controllable with the Casambi app, available on request

Fixture Dimensions



ORDERING INFORMATION

Example: BS111010005DK8. Power Supplies ordered separately.

BS1110	100		D		
Model No.	CRI	CCT	Up Optics	Down Optics	Finish
BS1110	100 - CRI>90	0F - 2700K 05 - 3000K 09 - 4000K	D - Diffuse	L - 44°x90° K - 58°x99° D - Diffuse	Z - Antique Bronze 6 - Antique White K - Matte Aluminum Gray 8 - Primer B - White

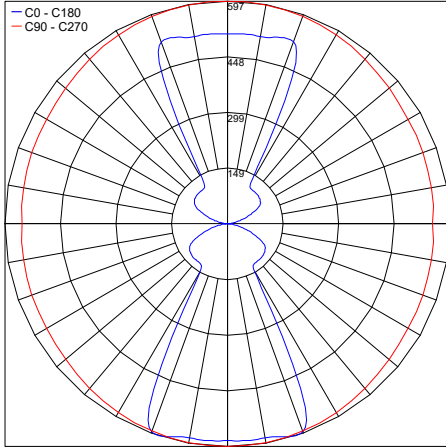
Job Name/Date:

Fixture Type Designation:

PHOTOMETRIC DATA

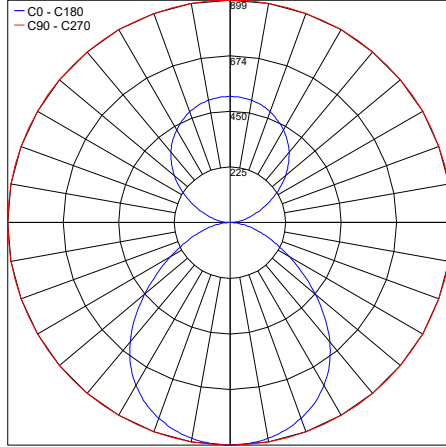
Note all Photometry is 3000K

Maximum Candela = 597.4



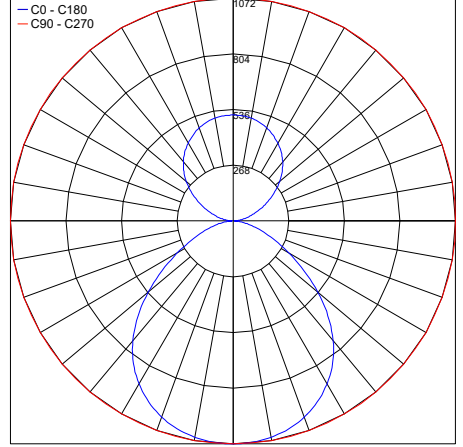
PHOTOMETRIC FILENAME : BERICA_S_1.1_D_3000K_28W.IES

Maximum Candela = 899.2



PHOTOMETRIC FILENAME : BERICA_S_1.1_K_3000K_28W.IES

Maximum Candela = 1071.7



PHOTOMETRIC FILENAME : BERICA_S_1.1_L_3000K_28W.IES

Job Name/Date:

Fixture Type Designation: