

# BERICA S 2.0

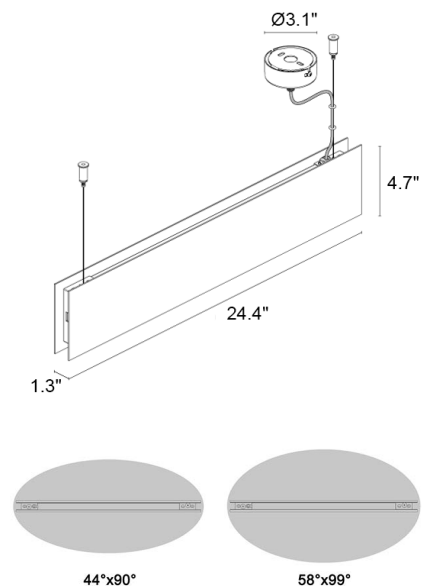
Berica S is a family of slim, suspended, double beam fixtures suitable for indoor installation in retail, office, hospitality and residential spaces. It is available in 3 sizes and 3 different styles of cover - convex, flat and concave, and 4 standard finishes or a primer coating. Berica S 2.0 is a flat 24.4" version available in 3 color temperatures, 3 upper optics options and diffuse lower.



## TECHNICAL DATA

<b>Wattage / Input</b>	14W (120-277VAC)
<b>Power Supply</b>	Integral - 0-10V Dimming
<b>Construction</b>	Body/Cover: Anticorodal Aluminum Canopy: Steel
<b>CCT</b>	2700K, 3000K, 4000K
<b>CRI</b>	>90
<b>Delivered Lumens</b>	1325 lm (3000K, 44°x90° + diffuse)
<b>Efficacy</b>	94.6 lm/W (3000K, 44°x90° + diffuse)
<b>Optics</b>	Down - 3 Standard, Up - Diffuse
<b>Finishes</b>	5 Standard, see below
<b>Fixture Dimensions</b>	24.4" l x 4.7" h x 1.5" w
<b>Fixture Weight</b>	4.41 lbs
<b>LED Source</b>	84 Mid Power LEDs
<b>Lumen Maintenance</b>	L90, B10 >60,000hrs (Ta 25°C)
<b>Color Consistency</b>	3-step MacAdam
<b>Operating Temp.</b>	32°F to +113°F
<b>IP Rating</b>	IP40

Fixture Dimensions



Non-standard lengths available on request, single-beam version available on request. Casambi-compatible version, controllable with the Casambi app, available on request

## ORDERING INFORMATION

Example: **BS201010005DK8**. Power Supplies ordered separately.

<b>BS2010</b>	<b>100</b>		<b>D</b>		
<b>Model No.</b>	<b>CRI</b>	<b>CCT</b>	<b>Up Optics</b>	<b>Down Optics</b>	<b>Finish</b>
<b>BS2010</b>	<b>100 - CRI&gt;90</b>	<b>0F - 2700K</b> <b>05 - 3000K</b> <b>09 - 4000K</b>	<b>D - Diffuse</b>	<b>L - 44°x90°</b> <b>K - 58°x99°</b> <b>D - Diffuse</b>	<b>Z - Antique Bronze</b> <b>6 - Antique White</b> <b>K - Matte Aluminum Gray</b> <b>8 - Primer</b> <b>B - White</b>

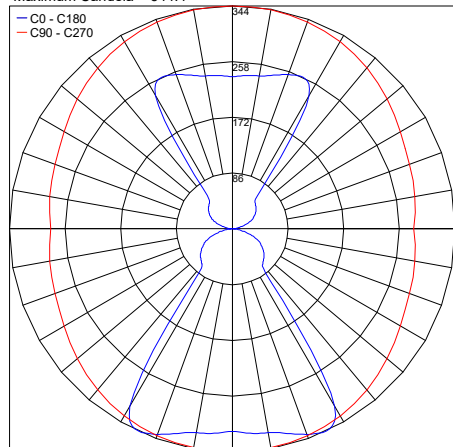
Job Name/Date:

Fixture Type Designation:

## PHOTOMETRIC DATA

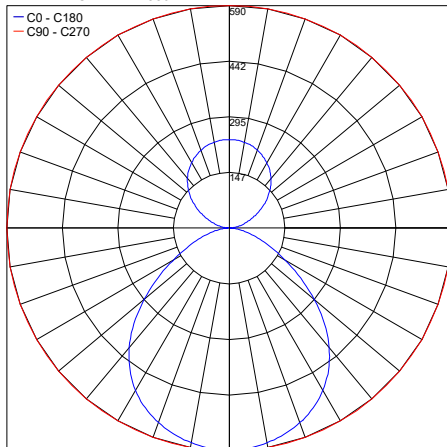
Note all Photometry is 3000K

Maximum Candela = 344.4



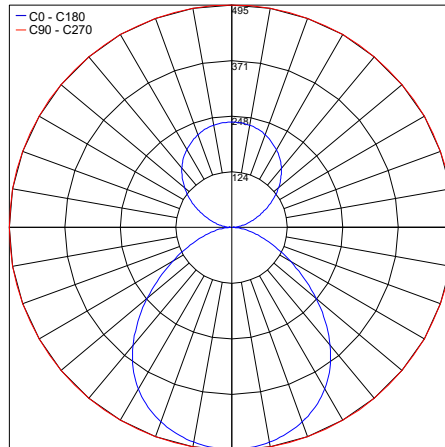
PHOTOMETRIC FILENAME : BERICA\_S\_2.0\_D\_3000K\_14W.IES

Maximum Candela = 589.7



PHOTOMETRIC FILENAME : BERICA\_S\_2.0\_L\_3000K\_14W.IES

Maximum Candela = 495.2



PHOTOMETRIC FILENAME : BERICA\_S\_2.0\_K\_3000K\_14W.IES

Job Name/Date:

Fixture Type Designation: