

BERICA S 3.0

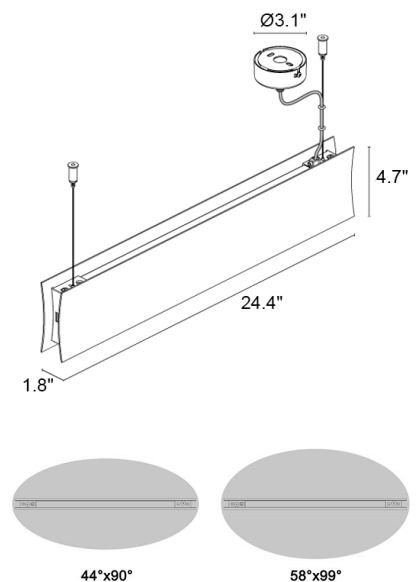
Berica S is a family of slim, suspended, double beam fixtures suitable for indoor installation in retail, office, hospitality and residential spaces. It is available in 3 sizes and 3 different styles of cover - convex, flat and concave, and 4 standard finishes or a primer coating. Berica S 3.0 is a concave 24.4" version available in 3 color temperatures, 3 upper optics options and diffuse lower.



TECHNICAL DATA

| | |
|---------------------------|---|
| Wattage / Input | 14W (120-277VAC) |
| Power Supply | Integral |
| Construction | Body/Cover: Anticorodal Aluminum Canopy: Steel |
| CCT | 2700K, 3000K, 4000K |
| CRI | >90 |
| Delivered Lumens | 1432 lm (3000K, 44°x90° + diffuse) |
| Efficacy | 97.4 lm/W (3000K, 44°x90° + diffuse) |
| Optics | Down - 3 Standard, Up - Diffuse |
| Finishes | 5 Standard, see below |
| Fixture Dimensions | 24.4" l x 4.7" h x 1.5" w |
| Fixture Weight | 4.41 lbs |
| LED Source | 84 Mid Power LEDs |
| Lumen Maintenance | L90, B10 >60,000hrs (Ta 25°C) |
| Color Consistency | 3-step MacAdam |
| Operating Temp. | 32°F to +113°F |
| IP Rating | IP40 |

Fixture Dimensions



Non-standard lengths available on request, single-beam version available on request. Casambi-compatible version, controllable with the Casambi app, available on request

ORDERING INFORMATION

Example: **BS301010005DK8**.

| | | | | | |
|------------------|------------------------|---|--------------------|--|--|
| BS3010 | 100 | | D | | |
| Model No. | CRI | CCT | Up Optics | Down Optics | Finish |
| BS3010 | 100 - CRI>90 | 0F - 2700K 05 - 3000K 09 - 4000K | D - Diffuse | L - 44°x90° K - 58°x99° D - Diffuse | Z - Antique Bronze 6 - Antique White K - Matte Aluminum Gray 8 - Primer B - White |

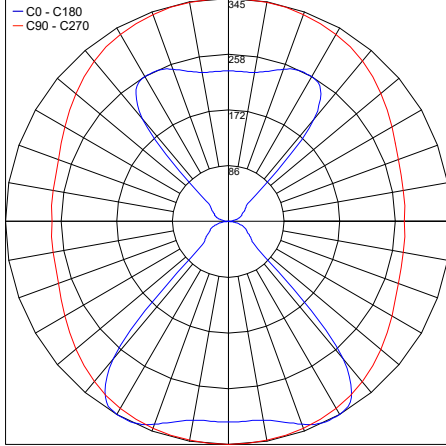
Job Name/Date:

Fixture Type Designation:

PHOTOMETRIC DATA

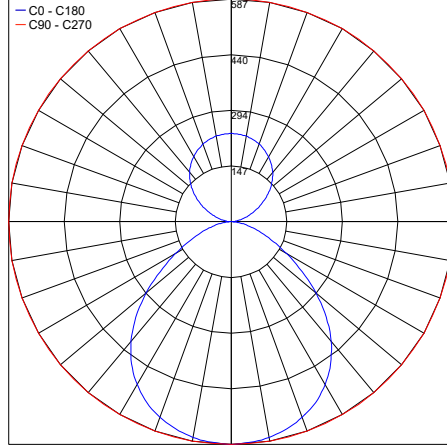
Note all Photometry is 3000K

Maximum Candela = 344.6



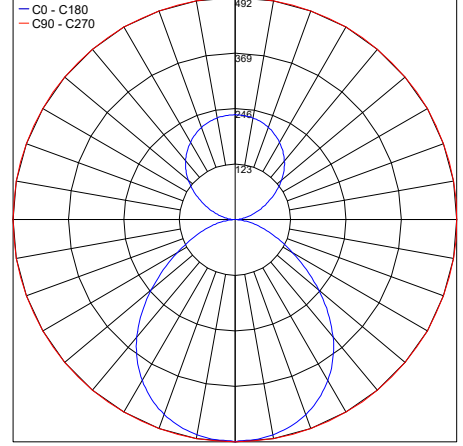
PHOTOMETRIC FILENAME : BERICA_S_3.0_D_3000K_14W.IES

Maximum Candela = 587.1



PHOTOMETRIC FILENAME : BERICA_S_3.0_L_3000K_14W.IES

Maximum Candela = 492.3



PHOTOMETRIC FILENAME : BERICA_S_3.0_K_3000K_14W.IES

Job Name/Date:

Fixture Type Designation: