

BERICA S 3.2

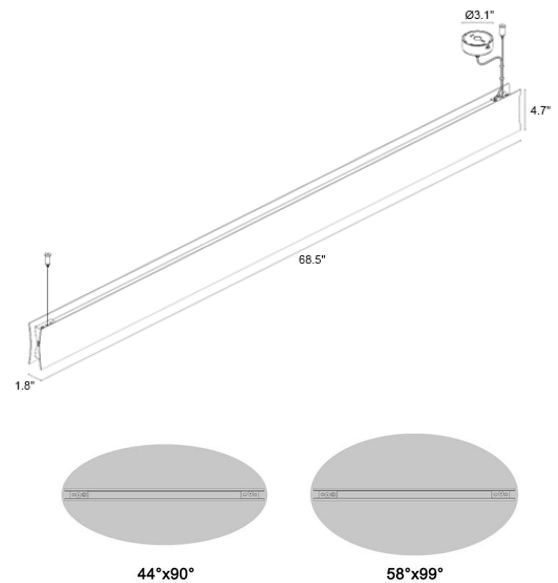
Berica S is a family of slim, suspended, double beam fixtures suitable for indoor installation in retail, office, hospitality and residential spaces. It is available in 3 sizes and 3 different styles of cover - convex, flat and concave, and 4 standard finishes or a primer coating. Berica S 3.2 is a concave 68.5" version available in 3 color temperatures, 3 upper optics options and diffuse lower.



TECHNICAL DATA

Wattage / Input	39W (120-277VAC)
Power Supply	Integral
Construction	Body/Cover: Anticorodal Aluminum Canopy: Steel
CCT	2700K, 3000K, 4000K
CRI	>90
Delivered Lumens	4129 lm (3000K, 44°x90° + diffuse)
Efficacy	105.9 lm/W (3000K, 44°x90° + diffuse)
Optics	Down - 3 Standard, Up - Diffuse
Finishes	5 Standard, see below
Fixture Dimensions	68.5" l x 4.7" h x 1.5" w
Fixture Weight	11.24 lbs
LED Source	270 Mid Power LEDs
Lumen Maintenance	L90, B10 >60,000hrs (Ta 25°C)
Color Consistency	3-step MacAdam
Operating Temp.	32°F to +113°F
IP Rating	IP40

Fixture Dimensions



Non-standard lengths available on request, single-beam version available on request. Casambi-compatible version, controllable with the Casambi app, available on request.

ORDERING INFORMATION

Example: **BS321010005DK8**.

BS3210	100		D		
Model No.	CRI	CCT	Up Optics	Down Optics	Finish
BS3210	100 - CRI>90	0F - 2700K 05 - 3000K 09 - 4000K	D - Diffuse	L - 44°x90° K - 58°x99° D - Diffuse	Z - Antique Bronze 6 - Antique White K - Matte Aluminum Gray 8 - Primer B - White

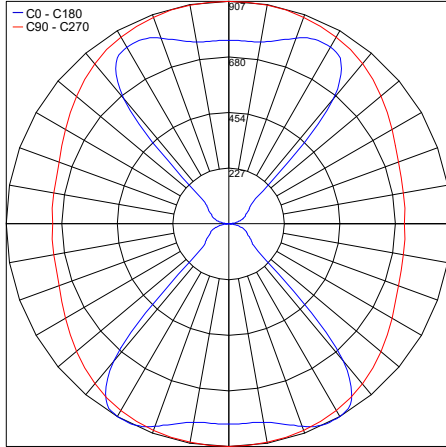
Job Name/Date:

Fixture Type Designation:

PHOTOMETRIC DATA

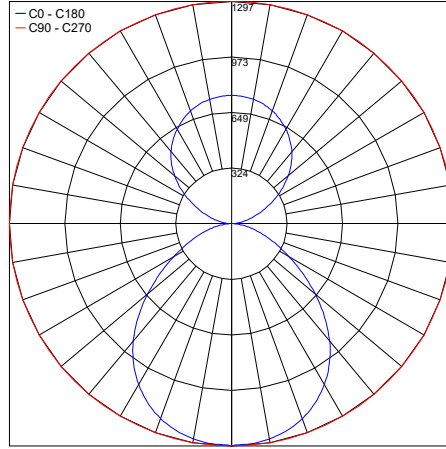
Note all Photometry is 3000K

Maximum Candela = 907.0



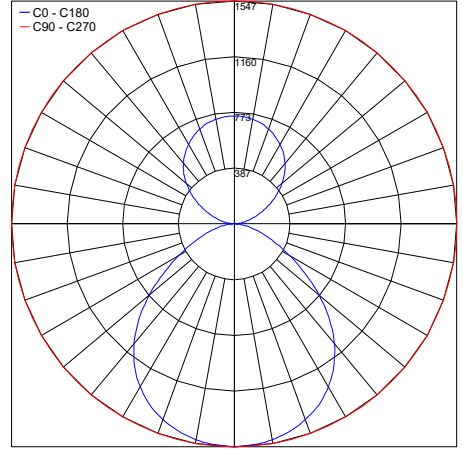
PHOTOMETRIC FILENAME : BERICA_S_3.2_D_3000K_39W.IES

Maximum Candela = 1297



PHOTOMETRIC FILENAME : BERICA_S_3.2_K_3000K_39W.IES

Maximum Candela = 1546.5



PHOTOMETRIC FILENAME : BERICA_S_3.2_L_3000K_39W.IES

Job Name/Date:

Fixture Type Designation: