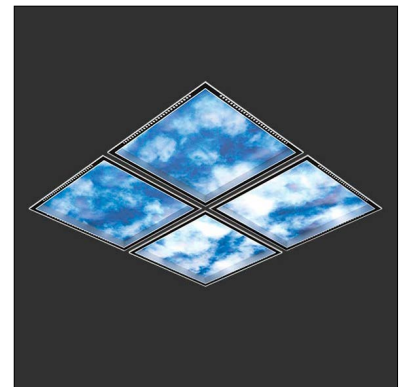


Flexview is a 24" square, recessed lay-in, picture luminaire with a dual light engine, that can be installed in multiple configurations to create the effect of a sky with clouds. It is suitable for installation in indoor spaces such as classrooms, offices, corridors, waiting rooms, receptions areas, and retail spaces.

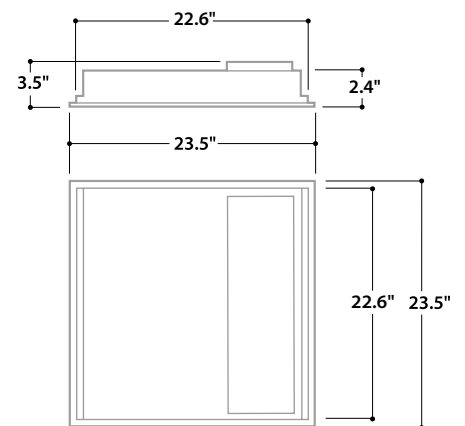


Configuration of 4 panels

TECHNICAL DATA

Wattage	Multiple Wattage Ranges (see chart page 3) - Selectable During Installation using Switch
Power Supply	Remote 700mA, not included. See page 2.
Construction	Frame: Extruded, Anodized Aluminum Dual Light Engine: Perimeter Engine for Main, Secondary Engine for Picture Window Optical System: Reflector, Collimator and Nanoprism Lens Image Screen: Printed 0.06" Polycarbonate TP(a) Fire Retardant
CCT	4000K
CRI	>80
Delivered Lumens	Various Based on Wattage Configuration (see chart on page 3)
Efficacy	Various Based on Wattage Configuration
Optics	—
Finishes	Unfinished
Lumen Maintenance	100,000 hrs L80, B10
Fixture Dimensions	23.5" l x 23.5" w x 2.4" h
Fixture Weight	9.9-158.7 lbs. based on number of panels
IP Rating	IP20

Fixture Dimensions



ORDERING INFORMATION

Example: FV1812S.B.L.US.

		L	US
Model No.	Reflector	Circui	
FV0606S (23.6" x 23.6")	B - Black	L	US
FV1212S (47.3" x 47.3")	M - Metallized		
FV1812S (71.0" x 47.3")	W - White		
FV1224S (47.3" x 94.4")			
FV2424S (94.4" x 94.4")			

Job Name/Date:

Fixture Type Designation:

SUGGESTED POWER SUPPLIES - 700mA

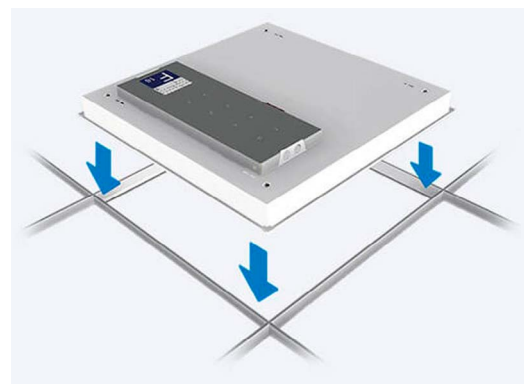
Part Number	Description	Input/Output	# of Fixtures
PPLT00261	Leading / Trailing Edge Dimming to 10% (120V only)	120-277VAC to 700mA, 32W, Class 2	1-1
PPLT00467-P	0-10V Dimming to 1.0%	120-277VAC to 700mA, 50W, Class 2, DAMP	1-1
PPLT00561-P	0-10V Dimming to 0.1%	120-277VAC to 700mA, 100W, Class 2	1-1

For other power supply options consult factory.

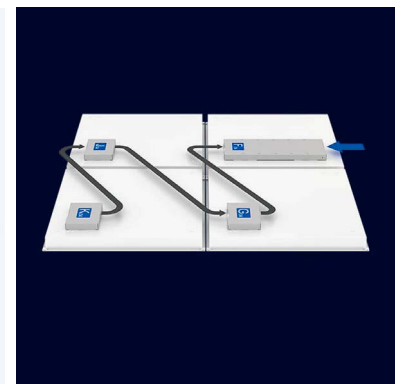
CONFIGURATIONS



Construction Breakout (see catalog for description)



Dual Light Engine



Single Power Connection

Black Reflector

Metal Reflector

White Reflector

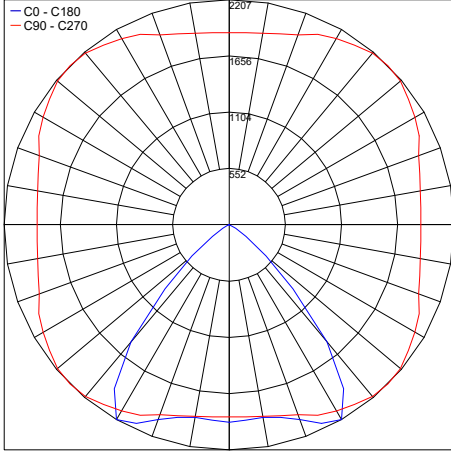
Job Name/Date:

Fixture Type Designation:

PHOTOMETRIC DATA

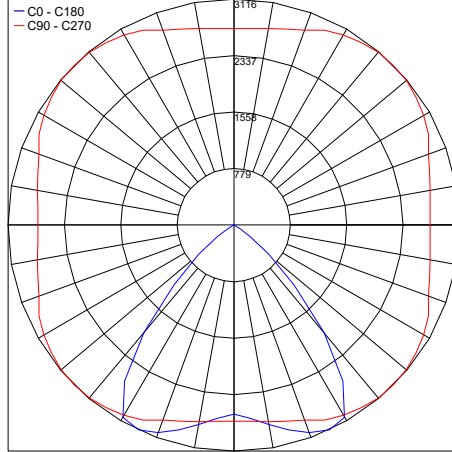
Note all Photometry is 4000K

Maximum Candela = 2207.4



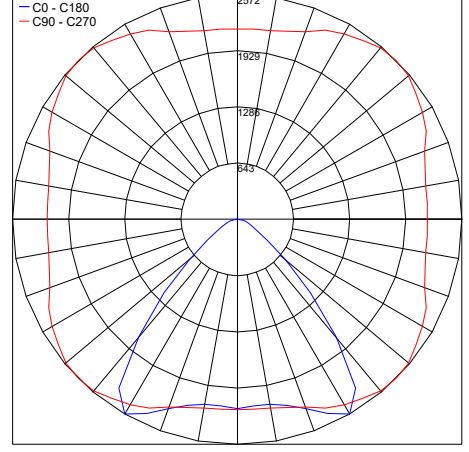
PHOTOMETRIC FILENAME : FLEXVIEW - FV0606SB 24X24 BLACK 40K.IES

Maximum Candela = 3116.2



PHOTOMETRIC FILENAME : FLEXVIEW - FV0606SM 24X24 METAL 40K.IES

Maximum Candela = 2572.4



PHOTOMETRIC FILENAME : FLEXVIEW - FV0606SW 24X24 WHITE 40K.IES

Job Name/Date:

Fixture Type Designation: