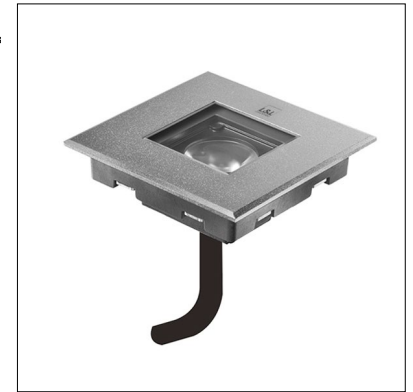


QUILATERO 1.0

Quilatero is a square, recessed family of driveover-rated uprights suitable for outdoor installation as architectural facade lighting. Quilatero comes in 4 sizes and power ranges, with both fixed and adjustable optics. Quilatero 1.0 is a 4" square with 3.5W, fixed optics, 2 standard finishes and no visible screws.

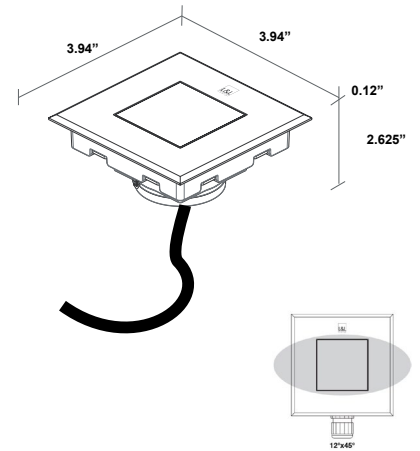
TECHNICAL DATA

Wattage	3.5W
Power Supply	Remote 24VDC, not included. See page 2.
Construction	Body: Thermally Conductive Technopolymer Trim: Stainless Steel AISI 316L Lens: Tempered Extra-clear Glass
CCT	2200K, 2700K, 3000K, 4000K
CRI	80, >90
BUG Rating	B0-U2-G0 (3000K, CRI90, 35° sharp) B0-U3-G0 (3000K, CRI:80/90)
Delivered Lumens	170 lm (3000K, CRI >90, 14°) 200 lm (3000K, CRI 80, 14°)
Efficacy	48.6 lm/W (3000K, CRI >90, 14°) 57.1 lm/W (3000K, CRI 80, 14°)
Optics	7°, 10°, 14°, 32°, Sharp 35°, 42°, 12°x45°, Diffuse, Wall Washer
Finishes	Cor-ten, Stainless Steel
Fixture Dimensions	3.94" x 3.94" x 4.37"
Fixture Weight	1.21 lbs
LED Source	1 Power LED
Lumen Maintenance	L90, B10 >60,000hrs (Ta 25°C)
Color Consistency	2-Step MacAdam
Operating Temp.	-4°F to +113°F
IP Rating	IP68 72h, IP66, IP69
Impact Resistance	IK08
Driveover Capacity	Up to 3307 lbs (kN 20)



NO VISIBLE SCREWS

Fixture Dimensions



OUTER CASING REQUIRED
See page 2 for part number

ORDERING INFORMATION

Example: QL1110100190SI. Accessories ordered separately.

Model No.	CRI	Optics Accessories	CCT	Optics	Finish
QL101	00 - 80 01 - >90	000 - None 010 - Anti-glare Screen 001 - Honeycomb Louve <i>Honeycomb Louve is NOT compatible with sharp, diffuse and wall washer optics.</i> <i>Anti-glare Screen NOT compatible with diffuse and wall washer optics.</i>	N0 - 2200K F0 - 2700K 50 - 3000K 90 - 4000K	V - 7° T - 10° S - 14° M - 32° P - 35° sharp L - 42° W - 12°x45° D - Diffuse A - Wall Washer	T - Cor-ten I - Stainless Steel C - Custom RAL <i>(Consult factory for "C")</i>

Job Name/Date:

Fixture Type Designation:

SUGGESTED POWER SUPPLIES

24VDC

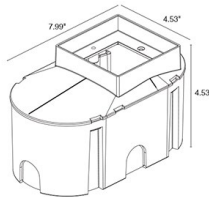
Part Number	Description	Input/Output	# of Fixtures
PPLT00128	Non-Dim	120VAC to 24VDC, 6W, Class 2, IP65	1-1
PPLT00632	0-10V Dimming (Dim to Off)	120-277VAC to 24VDC, 12W, Class 2	1-2
PPLT00155	Non-Dim	120-277VAC to 24VDC, 30W, Class 2	1-6
PPLT00709	ELV/TRIAC & 0-10V Dimming to 5% and OFF	120-277VAC to 24VDC, 96W, Class 2, DAMP	1-21
PPLT00543	0-10V Dimming to 15% (-40°C / -40°F cold weather start)	120-277VAC to 24VDC, 100W, Class 2	1-22

For other power supply options consult factory.

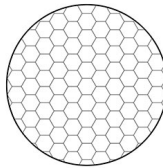
ACCESSORIES - Installation



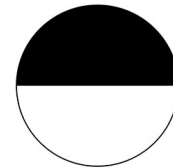
WCA13
Outer Casing (**REQUIRED**)



Optical



Honeycomb Louve
Built into fixture
Not compatible with sharp, diffuse and wall washer optics.



Anti-Glare Screen
Half transparent and half serigraphed black
Not compatible with diffuse and wall washer optics

PHOTOMETRIC DATA

See IES Files

Job Name/Date:

Fixture Type Designation: