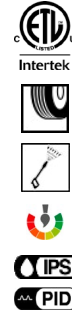


# QUILATERO 1.1

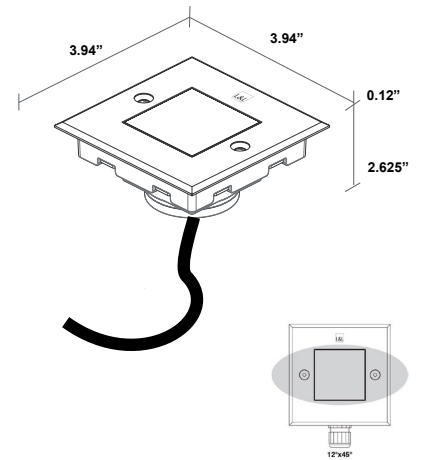
Quilatero is a square, recessed family of driveover-rated uplights suitable for outdoor installation as architectural facade lighting. Quilatero comes in 4 sizes and power ranges, with both fixed and adjustable optics. Quilatero 1.1 is a 4" square with 3.5W, fixed optics, 2 standard finishes and visible screw for greater security.

## TECHNICAL DATA

<b>Wattage / Input</b>	3.5W
<b>Power Supply</b>	Remote 24VDC, not included. See page 2.
<b>Construction</b>	Body: Thermally Conductive Technopolymer Trim: Stainless Steel AISI 316L Lens: Tempered Extra-clear Glass
<b>CCT</b>	2200K, 2700K, 3000K, 4000K
<b>CRI</b>	80, >90
<b>BUG Rating</b>	B0-U2-G0 (3000K, CRI90, 35° sharp) B0-U3-G0 (3000K, CRI:80/90)
<b>Delivered Lumens</b>	170 lm (3000K, CRI >90, 14°) 200 lm (3000K, CRI 80, 14°)
<b>Efficacy</b>	48.6 lm/W (3000K, CRI >90, 14°) 57.1 lm/W (3000K, CRI 80, 14°)
<b>Optics</b>	7°, 10°, 14°, 32°, Sharp 35°, 42°, 12°x45°, Diffuse, Wall Washer
<b>Finishes</b>	Cor-ten, Stainless Steel
<b>Fixture Dimensions</b>	3.94" x 3.94" x 4.37"
<b>Fixture Weight</b>	1.21 lbs
<b>LED Source</b>	1 Power LED
<b>Lumen Maintenance</b>	L90, B10 >60,000hrs (Ta 25°C)
<b>Color Consistency</b>	2-Step MacAdam
<b>Operating Temp.</b>	-4°F to +113°F
<b>IP Rating</b>	IP68 72h, IP66, IP69
<b>Impact Resistance</b>	IK08
<b>Driveover Capacity</b>	Up to 3307 lbs (kN 20)



Fixture Dimensions



**OUTER CASING REQUIRED**  
See page 2 for part number

## ORDERING INFORMATION

Example: QL1110100050ST. Accessories ordered separately.

QL111					
Model No.	CRI	Optics Accessories	CCT	Optics	Finish
QL111	00 - 80 01 - >90	000 - None 010 - Anti-glare Screen 001 - Honeycomb Louve <i>Honeycomb Louve is NOT compatible with sharp, diffuse and wall washer optics.</i>  <i>Anti-glare Screen NOT compatible with diffuse and wall washer optics.</i>	N0 - 2200K F0 - 2700K 50 - 3000K 90 - 4000K	V - 7° T - 10° S - 14° M - 32° P - 35° sharp L - 42° W - 12°x45° D - Diffuse A - Wall Washer	T - Cor-ten I - Stainless Steel C - Custom RAL <i>(Consult factory for "C")</i>

Job Name/Date:

Fixture Type Designation:

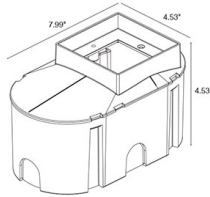
## SUGGESTED POWER SUPPLIES

24VDC

Part Number	Description	Input/Output	# of Fixtures
<a href="#">PPLT00128</a>	Non-Dim	120VAC to 24VDC, 6W, Class 2, IP65	1-1
<a href="#">PPLT00632</a>	0-10V Dimming (Dim to Off)	120-277VAC to 24VDC, 12W, Class 2	1-2
<a href="#">PPLT00155</a>	Non-Dim	120-277VAC to 24VDC, 30W, Class 2	1-6
<a href="#">PPLT00627</a>	ELV / TRIAC & 0-10V Dimming (100 to 0%), IP67	120-277VAC to 24VDC, 96W, Class 2	1-21
<a href="#">PPLT00543</a>	0-10V Dimming to 15% (-40°C / -40°F cold weather start)	120-277VAC to 24VDC, 100W, Class 2	1-22

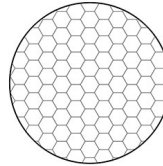
For other power supply options consult factory.

## ACCESSORIES - Installation

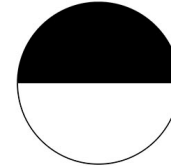


**WCA13**  
Outer Casing (**REQUIRED**)

## Optical



**Honeycomb Louve**  
Built into fixture  
*Not compatible with sharp, diffuse and wall washer optics.*



**Anti-Glare Screen**  
Half transparent and half serigraphed black  
*Not compatible with diffuse and wall washer optics*

## PHOTOMETRIC DATA

See IES Files

Job Name/Date:

Fixture Type Designation: