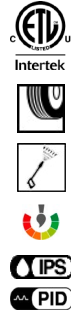


# QUILATERO 2.5

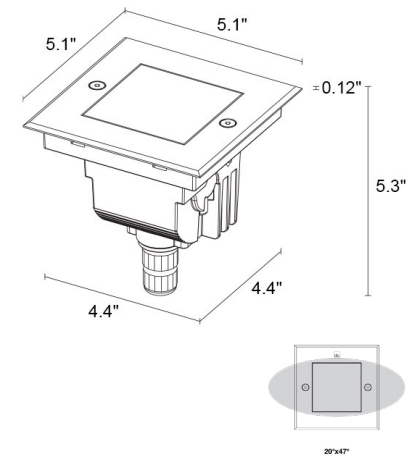
Quilatero is a square, recessed family of driveover-rated uplights suitable for outdoor installation as architectural facade lighting. Quilatero comes in 4 sizes and power ranges, with both fixed and adjustable optics. Quilatero 2.5 is a 5" square with 8W, adjustable optics up to 20° using a magnetic system with graduations and locking screw, 2 standard finishes and visible screws for greater security.



## TECHNICAL DATA

<b>Wattage</b>	8W
<b>Power Supply</b>	Remote 500mA, not included. See page 2.
<b>Construction</b>	Body: Thermally Conductive Technopolymer Trim: Stainless Steel AISI 316L Lens: Tempered Extra-clear Glass
<b>CCT</b>	2700K, 3000K, 4000K
<b>CRI</b>	80, >90
<b>BUG Rating</b>	B0-U3-G0 (3000K)
<b>Delivered Lumens</b>	389 lm (3000K, CRI >90, 12°) 482 lm (3000K, CRI 80, 12°)
<b>Efficacy</b>	48.6 lm/W (3000K, CRI >90, 12°) 60.3 lm/W (3000K, CRI 80, 12°)
<b>Optics</b>	7 Standard, See Below
<b>Finishes</b>	Cor-ten, Stainless Steel
<b>Fixture Dimensions</b>	5.12" x 5.12" x 5.31"
<b>Fixture Weight</b>	2.01 lbs
<b>LED Source</b>	1 High-Intensity Power LED
<b>Lumen Maintenance</b>	L90, B10 >50,000hrs (Ta 25°C)
<b>Color Consistency</b>	3-Step MacAdam
<b>Operating Temp.</b>	-4°F to +113°F
<b>IP Rating</b>	IP68 72h, IP66, IP69
<b>Impact Resistance</b>	IK10
<b>Driveover Capacity</b>	Up to 4409 lbs (kN 20)

Fixture Dimensions



**OUTER CASING REQUIRED**  
See page 2 for part number

## ORDERING INFORMATION

Example: QL2510100050ST. Accessories ordered separately.

QL251					
Model No.	CRI	Optics Accessories	CCT	Optics	Finish
QL251	00 - 80 01 - >90	000 - None 010 - Anti-glare Screen 001 - Honeycomb Louve <i>Honeycomb Louve applicable on all optics except the sharp.</i>	F0 - 2700K 50 - 3000K 90 - 4000K	V - 8° adjustable +20° T - 12° adjustable +20° S - 18° adjustable +20° M - 34° adjustable +20° L - 47° adjustable +20° Q - sharp 63° adjustable +20° W - 20°x47° adjustable +20°	T - Cor-ten I - Stainless Steel C - Custom RAL <i>(Consult factory for "C")</i>

Job Name/Date:

Fixture Type Designation:

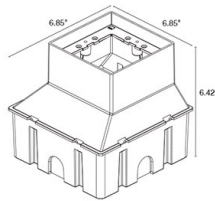
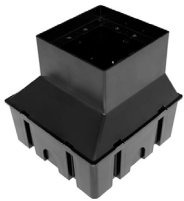
## SUGGESTED POWER SUPPLIES

24VDC

Part Number	Description	Input/Output	# of Fixtures
<a href="#">PPLT00632</a>	0-10V Dimming (Dim to Off)	120-277VAC to 24VDC, 12W, Class 2	1-1
<a href="#">PPLT00155</a>	Non-Dim	120-277VAC to 24VDC, 30W, Class 2	1-3
<a href="#">PPLT00627</a>	ELV / TRIAC & 0-10V Dimming (100 to 0%), IP67	120-277VAC to 24VDC, 96W, Class 2	1-9
<a href="#">PPLT00543</a>	0-10V Dimming to 15% (-40°C / -40°F cold weather start)	120-277VAC to 24VDC, 100W, Class 2	1-10

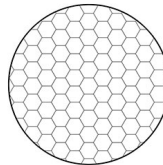
For other power supply options consult factory.

## ACCESSORIES - Installation

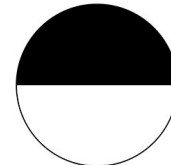


**WCA14**  
Outer Casing (**REQUIRED**)

## Optical



**Honeycomb Louve**  
Built into fixture  
*Applicable on all except the sharp optics.*



**Anti-Glare Screen**  
Half transparent and half serigraphed black

## PHOTOMETRIC DATA

See IES Files

Job Name/Date:

Fixture Type Designation: