

# QUILATERO 3.1

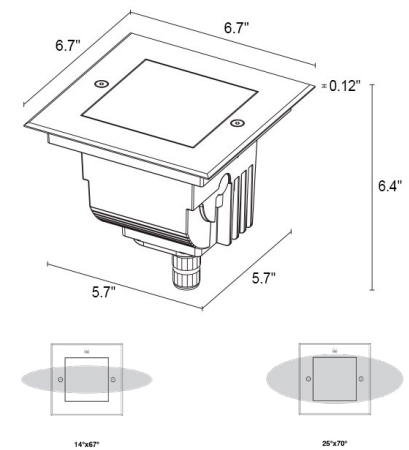
Quilatero is a square, recessed family of driveover-rated uplights suitable for outdoor installation as architectural facade lighting. Quilatero comes in 4 sizes and power ranges, with both fixed and zoom optics. Quilatero 3.1 is a 6.7" square with 16W or 18W (wall washer), fixed or zoom optics, 2 standard finishes and visible screws for greater security.



## TECHNICAL DATA

<b>Wattage</b>	16W, 18W (Wall Washer only)
<b>Power Supply</b>	Remote 24VDC, not included. See page 2.
<b>Construction</b>	Body: Thermally Conductive Technopolymer Trim: Stainless Steel AISI 316L Lens: Tempered Extra-clear Glass
<b>CCT</b>	2200K, 2700K, 3000K, 4000K
<b>CRI</b>	80, >90
<b>BUG Rating</b>	B0-U4-G0 (3000K, CRI80, R3-48°, A, Q) B0-U5-G0 (3000K, CRI80, M, L, D, R3-18°, K) B0-U3-G0 (3000K, CRI90, A, Q) B0-U4-G0 (3000K, CRI90, L, D, R3, K, W) B0-U5-G0 (3000K, M)
<b>Delivered Lumens</b>	1039 lm (3000K, CRI >90, 26°) 1226 lm (3000K, CRI 80, 26°)
<b>Efficacy</b>	57.7 lm/W (3000K, CRI >90, 26°) 68.1 lm/W (3000K, CRI 80, 26°)
<b>Optics</b>	14°, 26°, 39°, 57°, sharp 57°, 14°x67°, 25°x70°, diffuse, optical zoom 18°—48°, wall washer
<b>Finishes</b>	Cor-ten, Stainless Steel
<b>Fixture Dimensions</b>	6.69" x 6.69" x 6.42"
<b>Fixture Weight</b>	3.46 lbs
<b>LED Source</b>	1 High-Intensity Power LED
<b>Lumen Maintenance</b>	L90, B10 >50,000hrs (Ta 25°C)
<b>Color Consistency</b>	3-Step MacAdam
<b>Operating Temp.</b>	-4°F to +113°F
<b>IP Rating</b>	IP68 72h, IP66, IP69
<b>Impact Resistance</b>	IK10
<b>Driveover Capacity</b>	Up to 5512 lbs (kN 25)

Fixture Dimensions



**OUTER CASING REQUIRED**  
See page 2 for part number

## ORDERING INFORMATION

Example: QL3110100190SI. Accessories ordered separately.

QL311					
Model No.	CRI	Optics Accessories	CCT	Optics	Finish
QL311	00 - 80 01 - >90	000 - None 010 - Anti-glare Screen 001 - Honeycomb Louve <i>Honeycomb Louve is compatible with 14°, 26°, 39° and 57° optics.</i> <i>Anti-glare Screen NOT compatible with diffuse and wall washer optics.</i>	N - 2200K F - 2700K 5 - 3000K 9 - 4000K	0S - 14° 0M - 26° 0L - 39° 0X - 25°x70° 0D - Diffuse R3 - Optical Zoom 18°—48° (uses magnet) 0A - Wall Washer (18W)	T - Cor-ten I - Stainless Steel C - Custom RAL (Consult factory for "C")

Job Name/Date:

Fixture Type Designation:

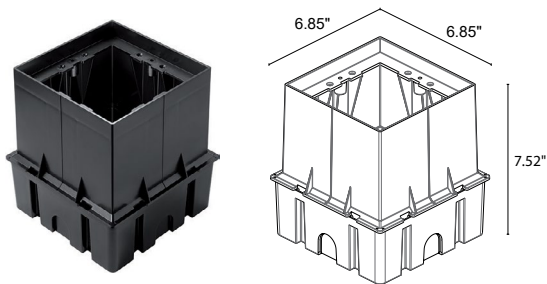
## SUGGESTED POWER SUPPLIES

24VDC

Part Number	Description	Input/Output	# of Fixtures
<a href="#">PPLT00155</a>	Non-Dim	120-277VAC to 24VDC, 30W, Class 2	1-1
<a href="#">PPLT00709</a>	ELV/TRIAC & 0-10V Dimming to 5% and OFF	120-277VAC to 24VDC, 96W, Class 2, DAMP	1-4
<a href="#">PPLT00543</a>	0-10V Dimming to 15% (-40°C / -40°F cold weather start)	120-277VAC to 24VDC, 100W, Class 2	1-5

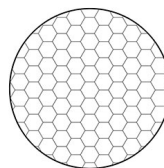
For other power supply options consult factory.

## ACCESSORIES - Installation

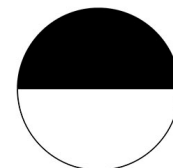


**WCA15**  
Outer Casing (**REQUIRED**)

## Optical



**Honeycomb Louve**  
Built into fixture  
*Compatible with 14°, 26°, 39° and 57° optics.*



**Anti-Glare Screen**  
Half transparent and half serigraphed black  
*Not compatible with diffuse and wall washer optics.*



**WE0201**  
Magnet for adjustable zoom lens

## PHOTOMETRIC DATA

See IES Files

Job Name/Date:

Fixture Type Designation: