

QUILATERO 3.1

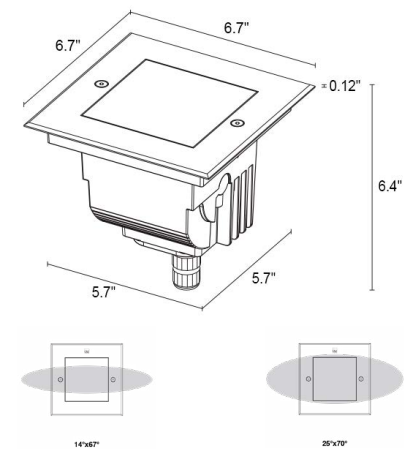
Quilatero is a square, recessed family of driveover-rated uplights suitable for outdoor installation as architectural facade lighting. Quilatero comes in 4 sizes and power ranges, with both fixed and zoom optics. Quilatero 3.1 is a 6.7" square with 16W or 18W (wall washer), fixed or zoom optics, 2 standard finishes and visible screws for greater security.



TECHNICAL DATA

Wattage	16W, 18W (Wall Washer only)
Power Supply	Remote 24VDC, not included. See page 2.
Construction	Body: Thermally Conductive Technopolymer Trim: Stainless Steel AISI 316L Lens: Tempered Extra-clear Glass
CCT	2200K, 2700K, 3000K, 4000K
CRI	80, >90
Delivered Lumens	1039 lm (3000K, CRI >90, 26°) 1226 lm (3000K, CRI 80, 26°)
Efficacy	57.7 lm/W (3000K, CRI >90, 26°) 68.1 lm/W (3000K, CRI 80, 26°)
Optics	14°, 26°, 39°, 57°, sharp 57°, 14°x67°, 25°x70°, diffuse, optical zoom 18°—48°, wall washer
Finishes	Cor-ten, Stainless Steel
Fixture Dimensions	6.69" x 6.69" x 6.42"
Fixture Weight	3.46 lbs
LED Source	1 High-Intensity Power LED
Lumen Maintenance	L90, B10 >50,000hrs (Ta 25°C)
Color Consistency	3-Step MacAdam
Operating Temp.	-4°F to +113°F
IP Rating	IP68 72h, IP66, IP69
Impact Resistance	IK10
Driveover Capacity	Up to 5512 lbs (kN 25)

Fixture Dimensions



OUTER CASING REQUIRED
See page 2 for part number

ORDERING INFORMATION

Example: QL3110100190SI. Accessories ordered separately.

QL311					
Model No.	CRI	Optics Accessories	CCT	Optics	Finish
QL311	00 - 80 01 - >90	000 - None 010 - Anti-glare Screen 001 - Honeycomb Louve <i>Honeycomb Louve is compatible with 14°, 26°, 39° and 57° optics.</i> <i>Anti-glare Screen NOT compatible with diffuse and wall washer optics.</i>	N - 2200K F - 2700K 5 - 3000K 9 - 4000K	0S - 14° 0M - 26° 0L - 39° 0X - 25°x70° 0D - Diffuse R3 - Optical Zoom 18°—48° (uses magnet) 0A - Wall Washer (18W)	T - Cor-ten I - Stainless Steel C - Custom RAL (Consult factory for "C")

Job Name/Date:

Fixture Type Designation:

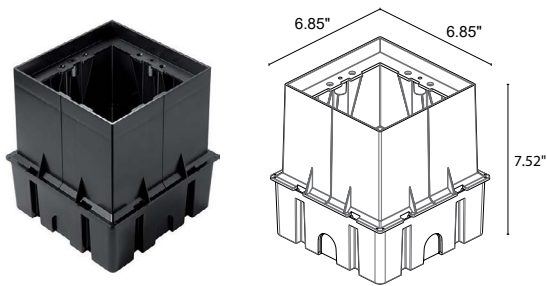
SUGGESTED POWER SUPPLIES

24VDC

Part Number	Description	Input/Output	# of Fixtures
PPLT00155	Non-Dim	120-277VAC to 24VDC, 30W, Class 2	1-1
PPLT00599	ELV / TRIAC & 0-10V Dimming (100 to 0%)	120-277VAC to 24VDC, 96W, Class 2	1-4
PPLT00543	0-10V Dimming to 15% (-40°C / -40°F cold weather start)	120-277VAC to 24VDC, 100W, Class 2	1-5

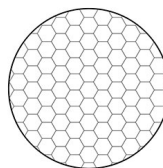
For other power supply options consult factory.

ACCESSORIES - Installation

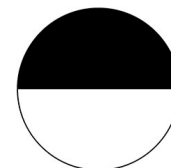


WCA15
Outer Casing (**REQUIRED**)

Optical



Honeycomb Louve
Built into fixture
Compatible with 14°, 26°, 39° and 57° optics.



Anti-Glare Screen
Half transparent and half serigraphed black
Not compatible with diffuse and wall washer optics.



WE0201
Magnet for adjustable zoom lens

PHOTOMETRIC DATA

See IES Files

Job Name/Date:

Fixture Type Designation: