

# QUILATERO 3.4

Quilatero is a square, recessed family of driveover-rated uplights suitable for outdoor installation as architectural facade lighting. Quilatero comes in 4 sizes and power ranges, with both fixed and adjustable optics. Quilatero 3.4 is a 6.7" square with 16W, adjustable optics up to 20° using a magnetic system with graduations and locking screw, 2 standard finishes and no visible screws.

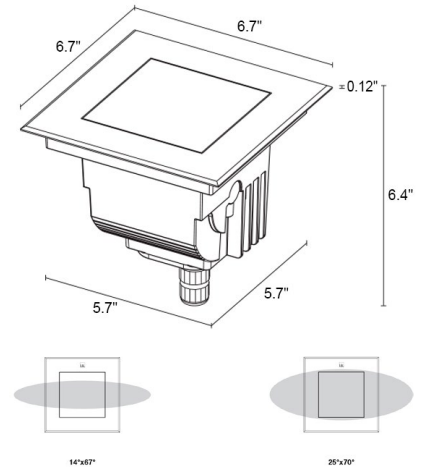
## TECHNICAL DATA

<b>Wattage</b>	16W
<b>Power Supply</b>	Remote 24VDC, not included. See page 2.
<b>Construction</b>	Body: Thermally Conductive Technopolymer Trim: Stainless Steel AISI 316L Lens: Tempered Extra-clear Glass
<b>CCT</b>	2200K, 2700K, 3000K, 4000K
<b>CRI</b>	80, >90
<b>BUG Rating</b>	B0-U5-G0 (3000K, CRI80, S, M, L, K, W, X) B0-U4-G0 (3000K, CRI80, Q) B0-U5-G0 (3000K CRI90, S, M) B0-U4-G0 (3000K CRI90, L, K, W, X) B0-U3-G0 (3000K, CRI90, Q)
<b>Delivered Lumens</b>	1039 lm (3000K, CRI >90, 26°) 1226 lm (3000K, CRI 80, 26°)
<b>Efficacy</b>	64.9 lm/W (3000K, CRI >90, 26°) 76.6 lm/W (3000K, CRI 80, 26°)
<b>Optics</b>	7 Standard Adjustable +20°, See Below
<b>Finishes</b>	Cor-ten, Stainless Steel
<b>Fixture Dimensions</b>	6.69" x 6.69" x 6.42"
<b>Fixture Weight</b>	3.68 lbs
<b>LED Source</b>	1 High-Intensity Power LED
<b>Lumen Maintenance</b>	L80, B10 >60,000hrs (Ta 25°C)
<b>Color Consistency</b>	2-Step MacAdam
<b>Operating Temp.</b>	-4°F to +113°F
<b>IP Rating</b>	IP68 72h, IP66, IP69
<b>Impact Resistance</b>	IK10
<b>Driveover Capacity</b>	Up to 5512 lbs (kN 25)



**NO VISIBLE SCREWS**

Fixture Dimensions



**OUTER CASING REQUIRED**  
See page 2 for part number

## ORDERING INFORMATION

Example: QL3410100190SI. Accessories ordered separately.

QL341					
Model No.	CRI	Optics Accessories	CCT	Optics	Finish
QL341	00 - 80 01 - >90	000 - None 010 - Anti-glare Screen 001 - Honeycomb Louve <i>Honeycomb Louve can be fitted on the 14°, 26°, 39° and 57° optics.</i>	N0 - 2200K F0 - 2700K 50 - 3000K 90 - 4000K	S - 14° adjustable +20° M - 26° adjustable +20° L - 39° adjustable +20° K - 57° adjustable +20° Q - sharp 57° adjustable +20° W - 14°x67° adjustable +20° X - 25°x70° adjustable +20°	T - Cor-ten I - Stainless Steel C - Custom RAL <i>(Consult factory for "C")</i>

Job Name/Date:

Fixture Type Designation:

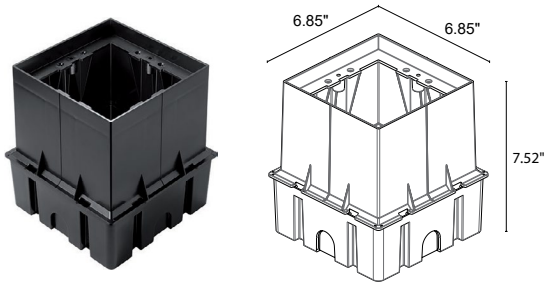
## SUGGESTED POWER SUPPLIES

24VDC

Part Number	Description	Input/Output	# of Fixtures
<a href="#">PPLT00155</a>	Non-Dim	120-277VAC to 24VDC, 30W, Class 2	1-1
<a href="#">PPLT00543</a>	0-10V Dimming to 15% (-40°C / -40°F cold weather start)	120-277VAC to 24VDC, 100W, Class 2	1-5

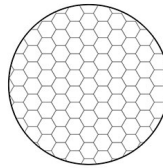
For other power supply options consult factory.

## ACCESSORIES - Installation

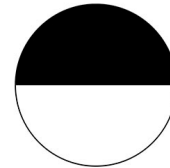


**WCA15**  
Outer Casing (REQUIRED)

## Optical



**Honeycomb Louve**  
Built into fixture  
Can be fitted on the 14°, 26°, 39° and 57° optics.



**Anti-Glare Screen**  
Half transparent and half serigraphed black

## PHOTOMETRIC DATA

See IES Files

Job Name/Date:

Fixture Type Designation: