

QUILATERO 3.4

Quilatero is a square, recessed family of driveover-rated uplights suitable for outdoor installation as architectural facade lighting. Quilatero comes in 4 sizes and power ranges, with both fixed and adjustable optics. Quilatero 3.4 is a 6.7" square with 16W, adjustable optics up to 20° using a magnetic system with graduations and locking screw, 2 standard finishes and no visible screws.

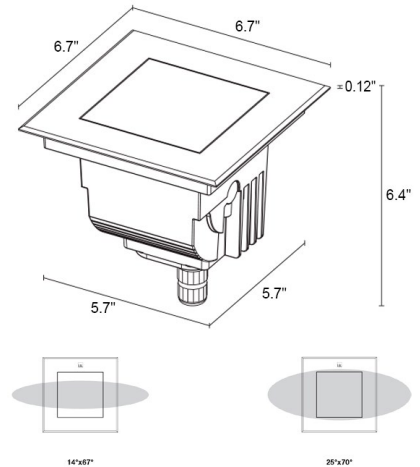
TECHNICAL DATA

| | |
|---------------------------|---|
| Wattage | 16W |
| Power Supply | Remote 24VDC, not included. See page 2. |
| Construction | Body: Thermally Conductive Technopolymer Trim: Stainless Steel AISI 316L Lens: Tempered Extra-clear Glass |
| CCT | 2200K, 2700K, 3000K, 4000K |
| CRI | 80, >90 |
| BUG Rating | B0-U5-G0 (3000K, CRI80, S, M, L, K, W, X) B0-U4-G0 (3000K, CRI80, Q) B0-U5-G0 (3000K CRI90, S, M) B0-U4-G0 (3000K CRI90, L, K, W, X) B0-U3-G0 (3000K, CRI90, Q) |
| Delivered Lumens | 1039 lm (3000K, CRI >90, 26°) 1226 lm (3000K, CRI 80, 26°) |
| Efficacy | 64.9 lm/W (3000K, CRI >90, 26°) 76.6 lm/W (3000K, CRI 80, 26°) |
| Optics | 7 Standard Adjustable +20°, See Below |
| Finishes | Cor-ten, Stainless Steel |
| Fixture Dimensions | 6.69" x 6.69" x 6.42" |
| Fixture Weight | 3.68 lbs |
| LED Source | 1 High-Intensity Power LED |
| Lumen Maintenance | L80, B10 >60,000hrs (Ta 25°C) |
| Color Consistency | 2-Step MacAdam |
| Operating Temp. | -4°F to +113°F |
| IP Rating | IP68 72h, IP66, IP69 |
| Impact Resistance | IK10 |
| Driveover Capacity | Up to 5512 lbs (kN 25) |



NO VISIBLE SCREWS

Fixture Dimensions



OUTER CASING REQUIRED
See page 2 for part number

ORDERING INFORMATION

Example: QL3410100190SI. Accessories ordered separately.

| QL341 | | | | | |
|-----------|---------------------|---|--|---|--|
| Model No. | CRI | Optics Accessories | CCT | Optics | Finish |
| QL341 | 00 - 80 01 - >90 | 000 - None 010 - Anti-glare Screen 001 - Honeycomb Louve <i>Honeycomb Louve can be fitted on the 14°, 26°, 39° and 57° optics.</i> | N0 - 2200K F0 - 2700K 50 - 3000K 90 - 4000K | S - 14° adjustable +20° M - 26° adjustable +20° L - 39° adjustable +20° K - 57° adjustable +20° Q - sharp 57° adjustable +20° W - 14°x67° adjustable +20° X - 25°x70° adjustable +20° | T - Cor-ten I - Stainless Steel C - Custom RAL <i>(Consult factory for "C")</i> |

Job Name/Date:

Fixture Type Designation:

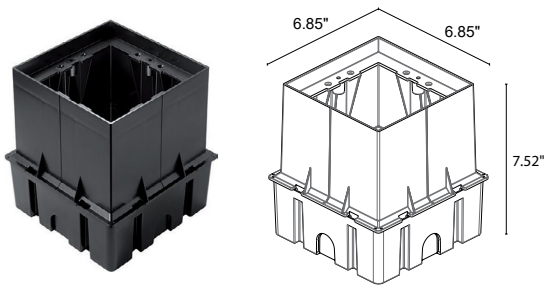
SUGGESTED POWER SUPPLIES

24VDC

| Part Number | Description | Input/Output | # of Fixtures |
|---------------------------|---|------------------------------------|---------------|
| PPLT00155 | Non-Dim | 120-277VAC to 24VDC, 30W, Class 2 | 1-1 |
| PPLT00627 | ELV / TRIAC & 0-10V Dimming (100 to 0%), IP67 | 120-277VAC to 24VDC, 96W, Class 2 | 1-4 |
| PPLT00543 | 0-10V Dimming to 15% (-40°C / -40°F cold weather start) | 120-277VAC to 24VDC, 100W, Class 2 | 1-5 |

For other power supply options consult factory.

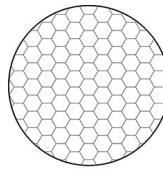
ACCESSORIES - Installation



WCA15

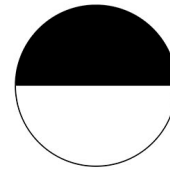
Outer Casing (**REQUIRED**)

Optical



Honeycomb Louve

Built into fixture
Can be fitted on the 14°, 26°, 39° and 57° optics.



Anti-Glare Screen

Half transparent and half serigraphed black

PHOTOMETRIC DATA

See IES Files

Job Name/Date:

Fixture Type Designation: