

QUILATERO 3.5

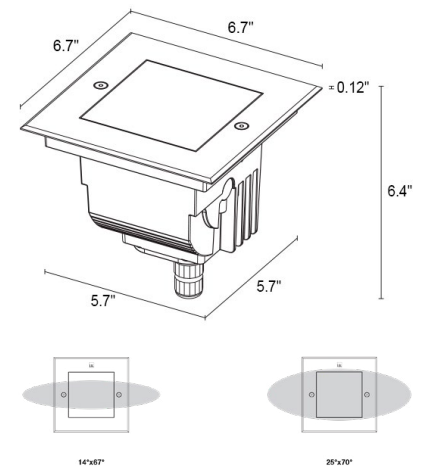
Quilatero is a square, recessed family of driveover-rated uplights suitable for outdoor installation as architectural facade lighting. Quilatero comes in 4 sizes and power ranges, with both fixed and adjustable optics. Quilatero 3.5 is a 6.7" square with 16W, adjustable optics up to 20° using a magnetic system with graduations and locking screw, 2 standard finishes and visible screws for greater security.



TECHNICAL DATA

Wattage	16W
Power Supply	Remote 24VDC, not included. See page 2.
Construction	Body: Thermally Conductive Technopolymer Trim: Stainless Steel AISI 316L Lens: Tempered Extra-clear Glass
CCT	2200K, 2700K, 3000K, 4000K
CRI	80, >90
BUG Rating	B0-U5-G0 (3000K, CRI80, M, L, K) B0-U5-G0 (3000K, CRI90, L, K) B0-U4-G0 (3000K, CRI90, M)
Delivered Lumens	1039 lm (3000K, CRI >90, 26°) 1226 lm (3000K, CRI 80, 26°)
Efficacy	64.9 lm/W (3000K, CRI >90, 26°) 76.6 lm/W (3000K, CRI 80, 26°)
Optics	7 Standard Adjustable +20°, See Below
Finishes	Cor-ten, Stainless Steel
Fixture Dimensions	6.69" x 6.69" x 6.42"
Fixture Weight	3.68 lbs
LED Source	1 High-Intensity Power LED
Lumen Maintenance	L80, B10 >60,000hrs (Ta 25°C)
Color Consistency	2-Step MacAdam
Operating Temp.	-4°F to +113°F
IP Rating	IP68 72h, IP66, IP69
Impact Resistance	IK10
Driveover Capacity	Up to 5512 lbs (kN 25)

Fixture Dimensions



OUTER CASING REQUIRED
See page 2 for part number

ORDERING INFORMATION

Example: QL3510100050ST. Accessories ordered separately.

QL351					
Model No.	CRI	Optics Accessories	CCT	Optics	Finish
QL351	00 - 80 01 - >90	000 - None 010 - Anti-glare Screen 001 - Honeycomb Louve <i>Honeycomb Louve can be fitted on the 14°, 26°, 39° and 57° optics.</i>	N0 - 2200K F0 - 2700K 50 - 3000K 90 - 4000K	S - 14° adjustable +20° M - 26° adjustable +20° L - 39° adjustable +20° K - 57° adjustable +20° Q - sharp 57° adjustable +20° W - 14°x67° adjustable +20° X - 25°x70° adjustable +20°	T - Cor-ten I - Stainless Steel C - Custom RAL <i>(Consult factory for "C")</i>

Job Name/Date:

Fixture Type Designation:

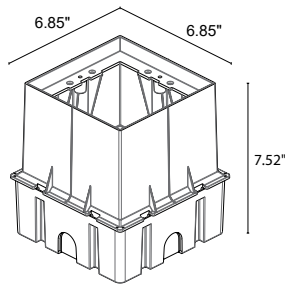
SUGGESTED POWER SUPPLIES

24VDC

Part Number	Description	Input/Output	# of Fixtures
PPLT00155	Non-Dim	120-277VAC to 24VDC, 30W, Class 2	1-1
PPLT00709	ELV/TRIAC & 0-10V Dimming to 5% and OFF	120-277VAC to 24VDC, 96W, Class 2, DAMP	1-4
PPLT00543	0-10V Dimming to 15% (-40°C / -40°F cold weather start)	120-277VAC to 24VDC, 100W, Class 2	1-5

For other power supply options consult factory.

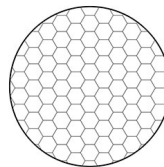
ACCESSORIES - Installation



WCA15

Outer Casing (REQUIRED)

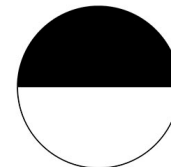
Optical



Honeycomb Louve

Built into fixture

Can be fitted on the 14°, 26°, 39° and 57° optics.



Anti-Glare Screen

Half transparent and half serigraphed black

PHOTOMETRIC DATA

See IES Files

Job Name/Date:

Fixture Type Designation: