

QUILATERO 4.0

Quilatero is a square, recessed family of driveover-rated uplights suitable for outdoor installation as architectural facade lighting. Quilatero comes in 4 sizes and power ranges, with both fixed and zoom optics. Quilatero 4.0 is a 8.3" square with 22W or 19W (wall washer optics), fixed or zoom optics, 2 standard finishes and no visible screws.

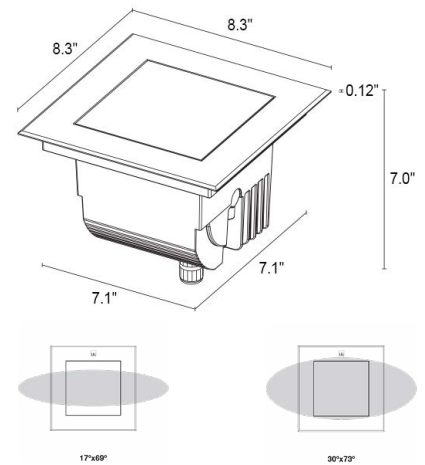
TECHNICAL DATA

Wattage	22W, 19W (Wall Washer only)
Power Supply	Remote 24VDC, not included. See page 2.
Construction	Body: Thermally Conductive Technopolymer Trim: Stainless Steel AISI 316L Lens: Tempered Extra-clear Glass
CCT	2200K, 2700K, 3000K, 4000K
CRI	80, >90
Delivered Lumens	1541 lm (3000K, 17°, CRI >90) 1821 lm (3000K, 17°, CRI 80)
Efficacy	70.0 lm/W (3000K, 17°, CRI >90) 82.8 lm/W (3000K, 17°, CRI 80)
Optics	17°, 24°, 32°, sharp 43°, 53°, 17°x69°, diffuse, optical zoom 20°—41°, 30°x73°, wall washer
Finishes	Cor-ten, Stainless Steel
Fixture Dimensions	8.27" x 8.27" x 6.97"
Fixture Weight	5.58 lbs
LED Source	1 High-Intensity Power LED
Lumen Maintenance	L80, B10 >60,000hrs (Ta 25°C)
Color Consistency	2-Step MacAdam
Operating Temp.	-4°F to +113°F
IP Rating	IP68 72h, IP66, IP69
Impact Resistance	IK10
Driveover Capacity	Up to 6614 lbs (kN 30)



NO VISIBLE SCREWS

Fixture Dimensions



OUTER CASING REQUIRED
See page 2 for part number

ORDERING INFORMATION

Example: QL4010100190SI. Accessories ordered separately.

QL401					
Model No.	CRI	Optics Accessories	CCT	Optics	Finish
QL401	00 - 80 01 - >90	000 - None 010 - Anti-glare Screen 001 - Honeycomb Louve <i>Honeycomb Louve is compatible with 17°, 24°, 32° and 53° optics.</i> <i>Anti-glare Screen NOT compatible with diffuse and wall washer optics.</i>	N - 2200K F - 2700K 5 - 3000K 9 - 4000K	0S - 17° 0M - 24° 0L - 32° 0X - 30°x73° 0D - Diffuse R3 - Optical Zoom 20°—41° (uses magnet) 0A - Wall Washer (19W)	T - Cor-ten I - Stainless Steel C - Custom RAL <i>(Consult factory for "C")</i>

Job Name/Date:

Fixture Type Designation:

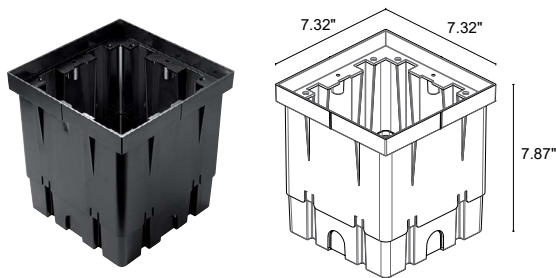
SUGGESTED POWER SUPPLIES

24VDC

Part Number	Description	Input/Output	# of Fixtures
PPLT00155	Non-Dim	120VAC to 24VDC, 30W, Class 2	1-1
PPLT00599	ELV / TRIAC & 0-10V Dimming (100 to 0%)	120-277VAC to 24VDC, 96W, Class 2	1-3
PPLT00543	0-10V Dimming to 15% (-40°C / -40°F cold weather start)	120-277VAC to 24VDC, 100W, Class 2	1-3

For other power supply options consult factory.

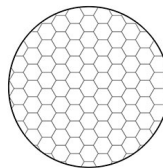
ACCESSORIES - Installation



WCA16

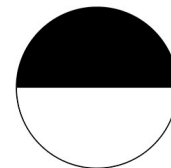
Outer Casing (**REQUIRED**)

Optical



Honeycomb Louve

Built into fixture
Compatible with 17°, 24°,
32° and 53° optics.



Anti-Glare Screen

Half transparent and
half serigraphed black
Not compatible with diffuse
and wall washer optics.



WE0201

Magnet for adjustable
zoom lens

PHOTOMETRIC DATA

See IES Files

Job Name/Date:

Fixture Type Designation: