

# QUILATERO 4.5

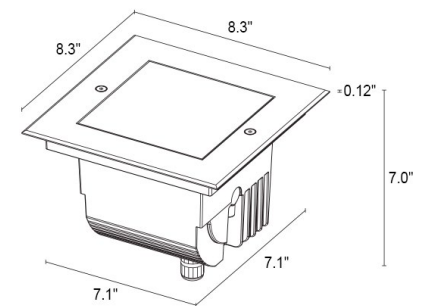
Quilatero is a square, recessed family of driveover-rated uplights suitable for outdoor installation as architectural facade lighting. Quilatero comes in 4 sizes and power ranges, with both fixed and adjustable optics. Quilatero 4.5 is a 8.3" square with 22W, adjustable optics up to 20° using a magnetic system with graduations and locking screw, 2 standard finishes and visible screws for greater security.



## TECHNICAL DATA

<b>Wattage</b>	22W
<b>Power Supply</b>	Remote 24VDC, not included. See page 2.
<b>Construction</b>	Body: Thermally Conductive Technopolymer Trim: Stainless Steel AISI 316L Lens: Tempered Extra-clear Glass
<b>CCT</b>	2200K, 2700K, 3000K, 4000K
<b>CRI</b>	80, >90
<b>BUG Rating</b>	B0-U4-G0 (3000K, P) B0-U5-G0 (3000K, S, M, L, J, W, X)
<b>Delivered Lumens</b>	1541 lm (3000K, 17°, CRI >90) 1821 lm (3000K, 17°, CRI 80)
<b>Efficacy</b>	70.0 lm/W (3000K, 17°, CRI >90) 82.8 lm/W (3000K, 17°, CRI 80)
<b>Optics</b>	7 Standard Adjustable +20°, See Below
<b>Finishes</b>	Cor-ten, Stainless Steel
<b>Fixture Dimensions</b>	8.27" x 8.27" x 6.97"
<b>Fixture Weight</b>	5.80 lbs
<b>LED Source</b>	1 High-Intensity Power LED
<b>Lumen Maintenance</b>	L80, B10 >60,000hrs (Ta 25°C)
<b>Color Consistency</b>	2-Step MacAdam
<b>Operating Temp.</b>	-4°F to +113°F
<b>IP Rating</b>	IP68 72h, IP66, IP69
<b>Impact Resistance</b>	IK10
<b>Driveover Capacity</b>	Up to 6614 lbs (kN 30)

Fixture Dimensions



**OUTER CASING REQUIRED**  
See page 2 for part number

## ORDERING INFORMATION

Example: QL4510100050ST. Accessories ordered separately.

QL451					
Model No.	CRI	Optics Accessories	CCT	Optics	Finish
QL451	00 - 80 01 - >90	000 - None 010 - Anti-glare Screen 001 - Honeycomb Louve <i>Honeycomb Louve can be fitted on the 17°, 24°, 32° and 53° optics.</i>	N0 - 2200K F0 - 2700K 50 - 3000K 90 - 4000K	S - 17° adjustable +20° M - 24° adjustable +20° L - 32° adjustable +20° J - 53° adjustable +20° P - sharp 53° adjustable +20° W - 17°x69° adjustable +20° X - 30°x73° adjustable +20°	T - Cor-ten I - Stainless Steel C - Custom RAL <i>(Consult factory for "C")</i>

Job Name/Date:

Fixture Type Designation:

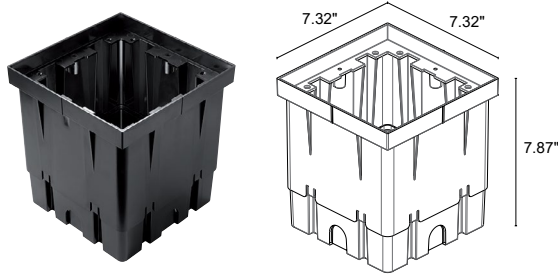
## SUGGESTED POWER SUPPLIES

24VDC

Part Number	Description	Input/Output	# of Fixtures
<a href="#">PPLT00155</a>	Non-Dim	120-277VAC to 24VDC, 30W, Class 2	1-1
<a href="#">PPLT00627</a>	ELV / TRIAC & 0-10V Dimming (100 to 0%), IP67	120-277VAC to 24VDC, 96W, Class 2	1-4
<a href="#">PPLT00543</a>	0-10V Dimming to 15% (-40°C / -40°F cold weather start)	120-277VAC to 24VDC, 100W, Class 2	1-5

For other power supply options consult factory.

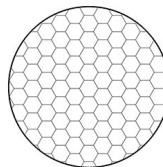
## ACCESSORIES - Installation



### WCA16

Outer Casing (**REQUIRED**)

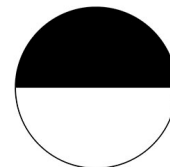
## Optical



### Honeycomb Louve

Built into fixture

Can be fitted on the 17°, 24°, 32° and 53° optics.



### Anti-Glare Screen

Half transparent and half serigraphed black

## PHOTOMETRIC DATA

See IES Files

Job Name/Date:

Fixture Type Designation: