

# W200.SX.CR LED Wall Light



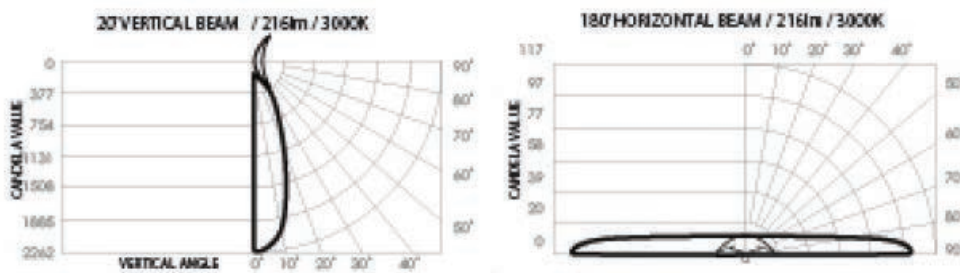
**TRU-COLOUR.**

## Product codes

<b>Unit:</b> W200.SX	<b>Series:</b> CR	<b>Color temp.:</b> 2700K (2.7K) 2800K-5800K (2.8K-5.8K) 3000K (3K) 4000 (4K) 5000 (5K)	<b>Beam angle (°):</b> 180.20	<b>Color:</b> S (Silver) W (White)
-------------------------	----------------------	--	----------------------------------	--

## Photometrics

### Standard Products



Source lumen output: 360 lm

Delivered lumen: 200 lm

Efficacy: 40 lm/W

Color temp.: 3000K

Beam angle: 180/20°

CRI: 97

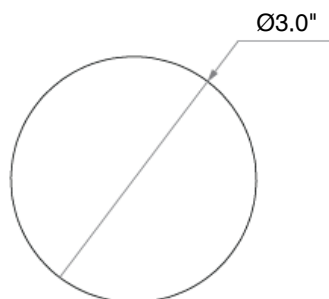
Standard Deviation of color matching (SDCM): 2-MacAdams Steps

designplan 

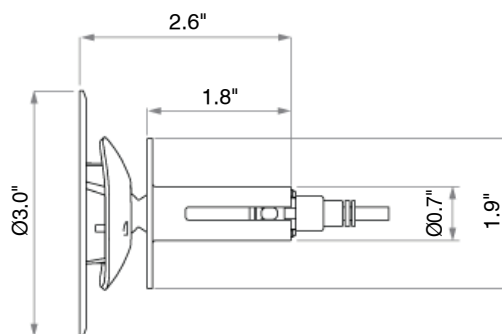
brightgreen 

## Dimensions (in)

Front view



Side view



## Electrical

---

**Input voltage:**  
48VDC

**Power usage:**  
6W

**Driver power factor:**  
>0.9

**IP rating:**  
IP22

**Surge protection:**  
3100V

**AC Cable length:**  
4.92'

**Dimmable:**  
No

## Operational

---

**Operating temp.:**  
-22 to 177.8°F

**Average temp.:**  
132.8°F

**Ambient temp.:**  
-18.4 to 158°F

**Lifetime L70, B10:**  
40,000 hrs (@TA25)

**Source Lumens:**  
360 lm

**SDCM:**  
2-MacAdam Steps

## Physical

---

**Gimbal angle:**  
30° Universal

**Warranty:**  
7 years

**Version:**  
2.0

## Compatibility

---

### Recommended Dimmers:

Compatible with leading home automation systems and dimmers.

Recommended Dimmers:

Universal, Trailing Edge, Leading Edge.

Dayshift CCT (2.8K-5.8K) requires a ZIGBEE driver

### Brightgreen Smart Lighting:

Dimmable LED driver utilizes Zigbee 3.0 protocol

Compatible with universal Zigbee Hub products such as Philips Hue Samsung Smart Things.

**designplan** 

**brightgreen** 