

# W900.SX-CR LED Wall Light



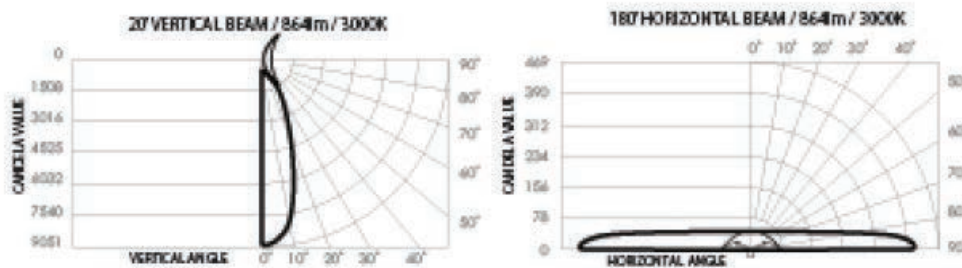
**TRU-COLOUR.**

## Product codes

<b>Unit:</b> W900.SX	<b>Series:</b> CR	<b>Color temp.:</b> 2700K (2.7K) 2800K-5800K (2.8K-5.8K) 3000K (3K) 4000 (4K) 5000 (5K)	<b>Beam angle (°):</b> 180.20	<b>Color:</b> S (Silver) W (White)
-------------------------	----------------------	--	----------------------------------	--

## Photometrics

### Standard Products



Source lumen output: 1080 lm

Delivered lumen: 900 lm

Efficacy: 60 lm/W

Colour temp.: 3000K

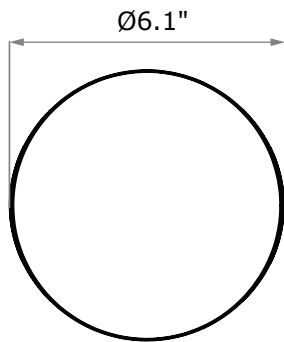
Beam angle: 180/20°

CRI: 97

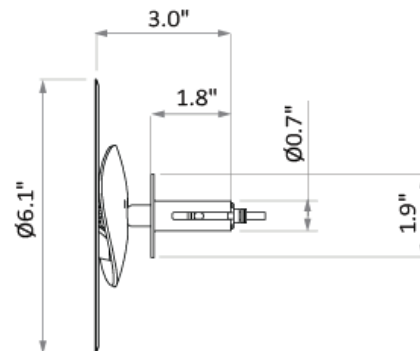
Standard Deviation of color matching (SDCM): 2-MacAdams Steps

## Dimensions (in)

Front view



Side view



## Electrical

**Input voltage:**  
48VDC

**Power usage:**  
15W

**Driver power factor:**  
>0.9

**IP rating:**  
IP22

**Surge protection:**  
Yes

**AC Cable length:**  
4.92'

**Dimmable:**  
No

**Driver Type:**  
Non-dimmable: See Datasheet  
ZIGBEE and CASAMBI: Driver code available upon request

## Operational

**Operating temp.:**  
-4 to 194°F

**Average temp.:**  
132.8°F

**Ambient temp.:**  
-18.4 to 149°C

**Lifetime L70, B10:**  
40,000 hrs (@TA25)

**Source Lumens:**  
1080 lm

**SDCM:**  
2-MacAdam Steps

## Physical

**Gimbal angle:**  
20° Universal

**Warranty:**  
7 years

**Version:**  
2.0

## Compatibility

### Recommended Dimmers:

Compatible with leading home automation systems and dimmers.

Recommended Dimmers:

Universal, Trailing Edge, Leading Edge.

Dayshift CCT (2.8K-5.8K) requires a ZIGBEE driver"

### Brightgreen Smart Lighting:

Dimmable LED driver utilises Zigbee 3.0 protocol

Compatible with universal Zigbee Hub products such as Philips Hue Samsung Smart Things.

Follow pairing procedure found in smart driver datasheet