

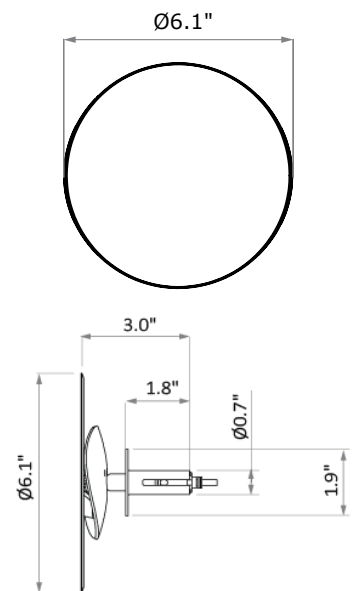
W900.SX-CR is a Ø6.0" round, surface mounted LED wall light suitable for indoor installation with Tru-Colour® 97 CRI and a 7 year warranty. It is available in 8 standard finishes with a 180°/20° beam angle.



TECHNICAL DATA

Wattage / Input	15W (48VDC)
Power Supply	Remote, not included. See page 2.
Construction	Body: Aluminum Cable Length: AC - 4.92'
CCT	2700K, 3000K, 4000K, 5000K Dayshift: 2800K-5000K
CRI	98 (Tru-Colour®)
Delivered Lumens	900 lm (3000K)
Efficacy	60 lm/W (3000K)
Optics	180°/20°
Finishes	8 Standard Finishes, Custom colors on request
Lumen Maintenance	40,000 hrs L70, B10 (Ta 25°C)
Operating Temp.	-4 to 194°F
Color Consistency	2-Step MacAdam
Fixture Dimensions	Ø6.1"
Gimbal Angle	20° Universal
IP Rating	IP22
Warranty	7 years

Fixture Dimensions



Tru-Colour® lights score a 98 on the color rendering index (CRI) which is the top rating for high CRI LEDs. Tru-Colour LEDs contain about a billion colours, which is more than any other white LED on the market. All these colors in one small LED means that you see colors as they really are. Tru-Colour has TM-30 color fidelity and the purest red on the market - Rf CES07 (R9 on the old CRI scale).

ORDERING INFORMATION

Example: W900.SX-CR-3K-180.20-S-2.0.US. Accessories / Power Supplies ordered separately.

W900.SX	-	CR	-		-	180.20	-		-	2.0	.US
Model #		CCT		Optics		Finish		Finish			
W900.SX		CR - Curve		180.20 - 180.20°		S - Silver W - White TATV - Tasmanian Ash RHTV - Red Heart Timber ACTV - American Cherry JTV - Jarrah SETV - Smoked Eucalyptus		2.0 - Non-Dim		.US	
		2.7K - 2700K 2.8K.5.8K - 2700K-5800K 3K - 3000K 4K - 4000K 5K - 5000K									

See page 2 for custom colors and sample of wood finishes

Job Name/Date:

Fixture Type Designation:

SUGGESTED POWER SUPPLIES

48VDC

Part Number	Description	Input/Output	# of Fixtures
PPLT00574	Non-Dim	120-277VAC to 48VDC, 30W, Class 2	1-1
PPLT00646	0-10V Dimming	120-277VAC to 48VDC, 30W, Class 2	1-1
PPLT00647	0-10V Dimming	120-277VAC to 48VDC, 60W, Class 2	1-3
PPLT00577	Non-Dim	120-277VAC to 48VDC, 96W, Class 2	1-5
PPLT00650	0-10V Dimming	120-277VAC to 48VDC, 96W, Class 2	1-5
PPLT00665	ELV/TRIAC & 0-10V Dimming (100 to 0%)	120-277VAC to 48VDC, 96W, Class 2	1-5

For other power supply options consult factory.

WOOD FINISHES (see below)

RHTV

Red Heart Timber



ACTV

American Cherry



SETV

Smoked Eucalyptus



TATV

Tasmanian Ash



JTV

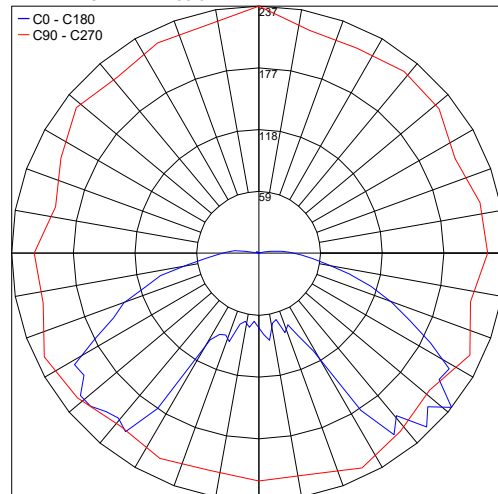
Jarra



PHOTOMETRIC DATA

Note all Photometry is 3000K

Maximum Candela = 236.6



CUSTOM COLOR CODES

Can be used in the place of standard and wood finish codes

CB

Cobalt Blue



SY

Strawberry Yogurt



MR

Mint Raita



UM

Ultra Marine



CR

Chambord Red



LB

Lemon Butter



AO

Aperol Orange



MC

Metallic Copper



LIC

Lavendar Ice Cream



MB

Metallic Brass



SF

Sea Foam



Launched in 2008, Melbourne-based Brightgreen is a purpose-led B corporation that designs world-leading luminaires with patented Tru-Colour® technology. As a certified B Corp, Brightgreen meets the highest standards for social and environmental performance, transparency, and accountability—using its business for the greater good.

www.bcorporation.net/en-us/find-a-b-corp/company/brightgreen

Job Name/Date:

Fixture Type Designation: