

BERICA OUT 1.1

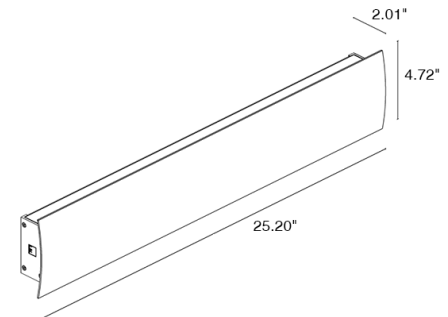
Berica Out is a family of double beam, surface-mounted outdoor fixtures with a minimalist design. It is available in 3 sizes and 3 different styles of cover - convex, flat and concave. Berica Out 1.1 is a convex, 14.2" version available in 3 color temperatures with 4 standard finishes, including primer.



TECHNICAL DATA

Wattage	30W (700mA)
Power Supply	Remote, not included. See page 2.
Construction	Body/Cover: Anticorodal Aluminum
CCT	2200K, 2700K, 3000K, 4000K
CRI	80, >90
BUG Rating	B1-U5-G1 (CRI 80, Diffuse, Assym, 62x100) B1-U5-G1 (CRI >90, Diffuse & Assym) B1-U5-G0 (CRI >90, 62x100 & 42x102 + CRI 80)
Delivered Lumens	2456 lm (3000K, diffuse, CRI >90) 2888 lm (3000K, diffuse, CRI 80)
Efficacy	81.9 lm/W (3000K, diffuse, CRI >90) 96.3 lm/W (3000K, diffuse, CRI 80)
Optics	42°x102°, 62°x100°, Asymmetrical, Diffuse
Finishes	Cor-ten, Primer, White, Anthracite
Fixture Dimensions	14.17" l x 4.72" h x 2.01" deep
Fixture Weight	3.31 lbs
LED Source	48 Mid Power LEDs
Lumen Maintenance	L80, B10 >50,000hrs (Ta 25°C)
Color Consistency	2-step MacAdam
Operating Temp.	32°F to +113°F
IP Rating	IP65
Impact Resistance	IK07

Fixture Dimensions



ORDERING INFORMATION

Example: BU111010005KW7-1. Power Supplies ordered separately.

BU1110				
Model #	CRI	CCT	Optics	Finish
BU1110	0000 - CRI 80 1000 - CRI >90	N - 2200K F - 2700K 5 - 3000K 9 - 4000K	LW - 42°x102° KW - 62°x100° 0A - Asymmetrical 0D - Diffuse	H - Anthracite T - Cor-ten 8 - Primer E - White

Job Name/Date:

Fixture Type Designation:

SUGGESTED POWER SUPPLIES

700mA

Part Number	Description	Input/Output	# of Fixtures
PPLT00308-P	0-10V Dimming to 0.1%	120-277VAC to 700mA, 30W, Class 2, DAMP	1-1
PPLT00261	Leading / Trailing Edge Dimming to 10% (120V only)	120-277VAC to 700mA, 32W, Class 2	1-1
PPLT00467-P	0-10V Dimming to 1.0%	120-277VAC to 700mA, 50W, Class 2	1-1

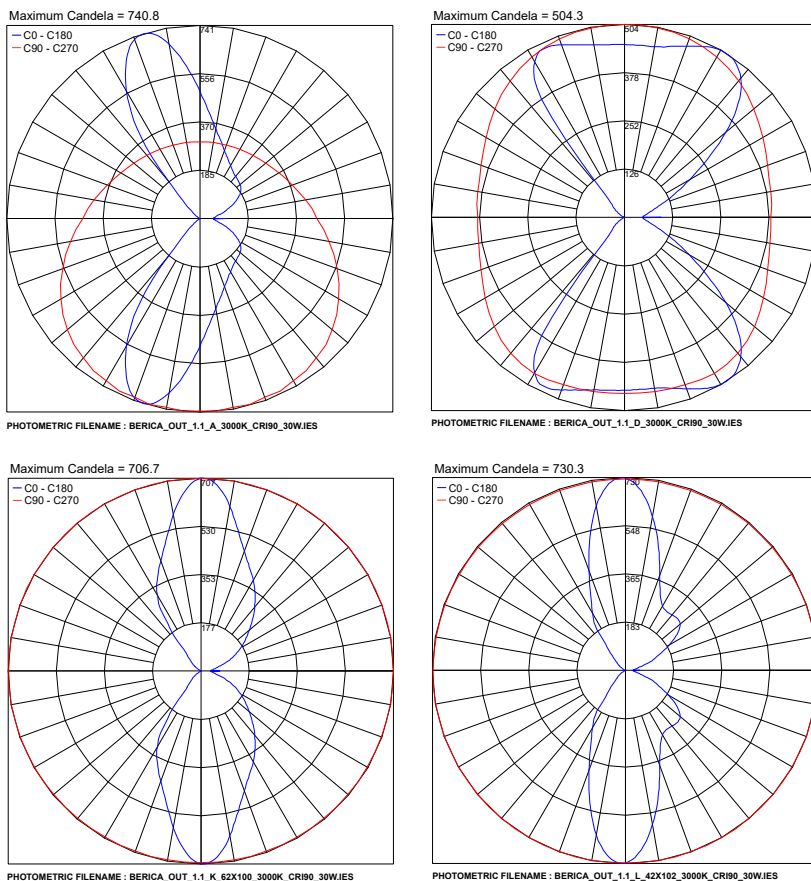
Suggested Lutron Compatible

Part Number	Option	Lutron SKU	Dim Range	Description	Input/Output	# of Fixtures
PPLT00181	L3DAE / L3DA3W	L3DA	100%-1%	Hi-Lume™ 1% EcoSystem™ or 1% 3-Wire LED Driver	120-277VAC to 700mA, 38W, Class 2	1-1

For other power supply options consult factory.

PHOTOMETRIC DATA

Note all Photometry is 3000K, CRI>90



Job Name/Date:

Fixture Type Designation: