

BERICA OUT 1.1

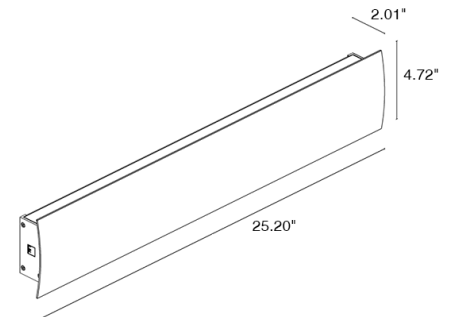
Berica Out is a family of single- or double -beam, surface-mounted outdoor fixtures with a minimalist design. It is available in 3 sizes and 3 different styles of cover - convex, flat and concave. Berica Out 1.1 is a convex, 14.2" version available in 3 color temperatures with 4 standard finishes, including primer.



TECHNICAL DATA

Wattage	15W per beam
Power Supply	Remote 700mA, not included. See page 2.
Construction	Body/Cover: Anticorodal Aluminum
CCT	2200K, 2700K, 3000K, 4000K
CRI	80, >90
BUG Rating	B1-U5-G1 (CRI 80, Diffuse, Asym, 62°x100°) B1-U5-G1 (CRI >90, Diffuse & Asym) B1-U5-G0 (CRI >90, 62°x100° & 42°x102° + CRI 80)
Delivered Lumens	1228 lm per beam (3000K, Diffuse, CRI>90) 1444 lm per beam (3000K, Diffuse, CRI 80)
Efficacy	81.9 lm/W per beam (3000K, Diffuse, CRI >90) 96.3 lm/W per beam (3000K, Diffuse, CRI 80)
Optics	42°x102°, 62°x100°, Asymmetrical, Diffuse
Finishes	Cor-ten, Primer, White, Anthracite (4 Stage Marine Grade Finish)
Fixture Dimensions	14.17" l x 4.72" h x 2.01" deep
Fixture Weight	3.31 lbs
LED Source	24 Mid Power LEDs per beam
Lumen Maintenance	L80, B10>50,000hrs (Ta 25°C)
Color Consistency	2-step MacAdam
Operating Temp.	32°F to +113°F
IP Rating	IP65
Impact Resistance	IK07

Fixture Dimensions



ORDERING INFORMATION

Example: BU111010005KW7. Power Supplies ordered separately.

Model #	CRI	CCT	Optics	Finish
BU1110 - Double Beam	0000 - CRI 80	N - 2200K	LW - 42°x102°	H - Anthracite
BU1111 - Single Beam	1000 - CRI >90	F - 2700K	KW - 62°x100°	T - Cor-ten
		5 - 3000K	0A - Asymmetrical	7 - Primer
		9 - 4000K	0D - Diffuse	E - White

Job Name/Date:

Fixture Type Designation:

SUGGESTED POWER SUPPLIES

700mA - Double Beam

Part Number	Description	Input/Output	# of Fixtures
PPLT00261	Leading / Trailing Edge Dimming to 10% (120V only)	120-277VAC to 700mA, 32W, Class 2	1-1
PPLT00467-P	0-10V Dimming to 1.0%	120-277VAC to 700mA, 50W, Class 2	1-1

Suggested Lutron Compatible

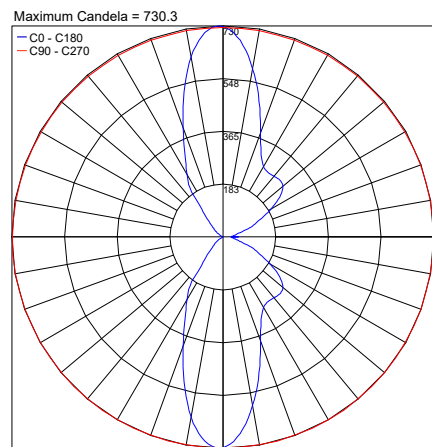
Part Number	Option	Lutron SKU	Dim Range	Description	Input/Output	# of Fixtures
PPLT00181	L3DAE / L3DA3W	L3DA	100%-1%	Hi-Lume™ 1% EcoSystem™ or 1% 3-Wire LED Driver	120-277VAC to 700mA, 38W, Class 2	1-1

For other power supply options consult factory.

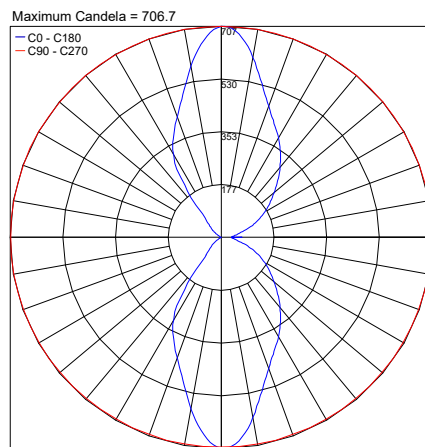
SUGGESTED POWER SUPPLIES

Single Beam - Consult Factory

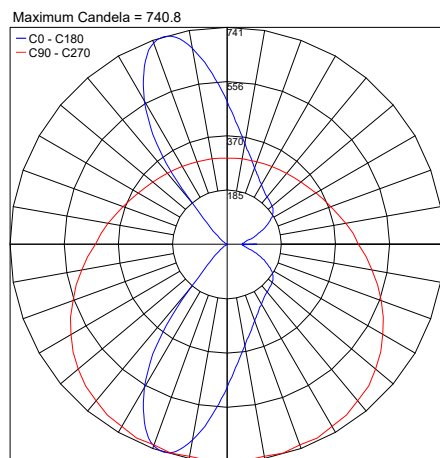
PHOTOMETRIC DATA - Note: all Photometry is 3000K, Double Beam Versions, CRI>90



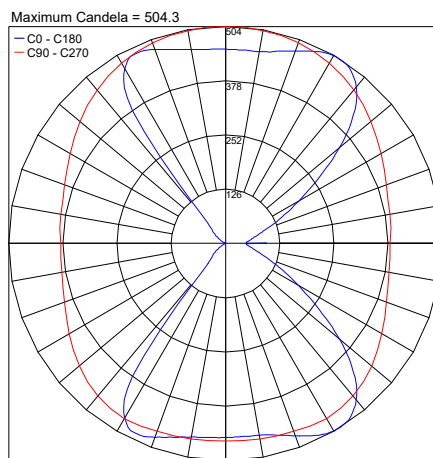
PHOTOMETRIC FILENAME : BERICA_OUT_1.1_Double_L_42X102_3000K_CR190_30W.IES



PHOTOMETRIC FILENAME : BERICA_OUT_1.1_Double_K_62X100_3000K_CR190_30W.IES



PHOTOMETRIC FILENAME : BERICA_OUT_1.1_Double_A_3000K_CR190_30W.IES



PHOTOMETRIC FILENAME : BERICA_OUT_1.1_Double_D_3000K_CR190_30W.IES

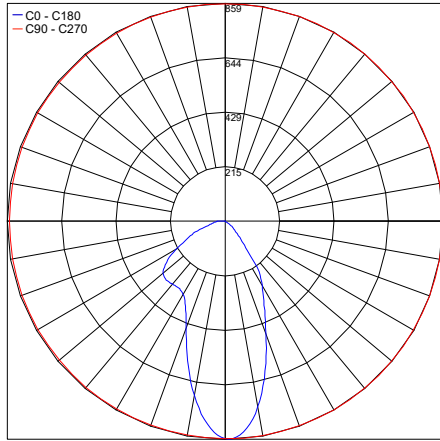
Job Name/Date:

Fixture Type Designation:

PHOTOMETRIC DATA

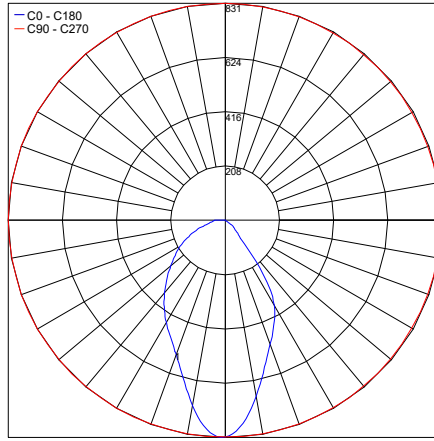
Note: all Photometry is 3000K, Single Beam Versions

Maximum Candela = 858.7



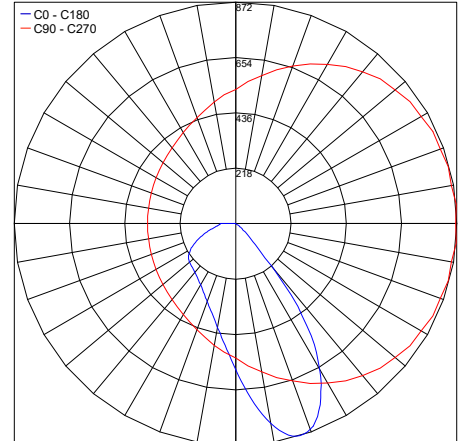
PHOTOMETRIC FILENAME : BERICA_OUT_1.1_Single_L_42X102_3000K_CR180_15W.IES

Maximum Candela = 831.4



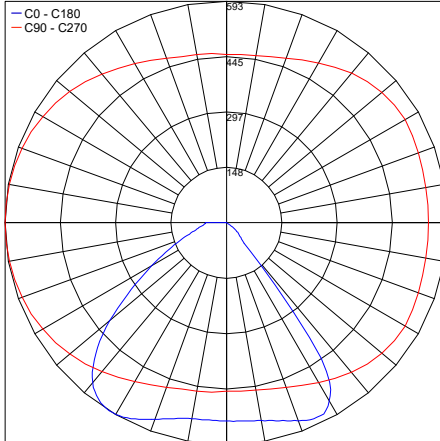
PHOTOMETRIC FILENAME : BERICA_OUT_1.1_Single_K_62X100_3000K_CR180_15W.IES

Maximum Candela = 871.8



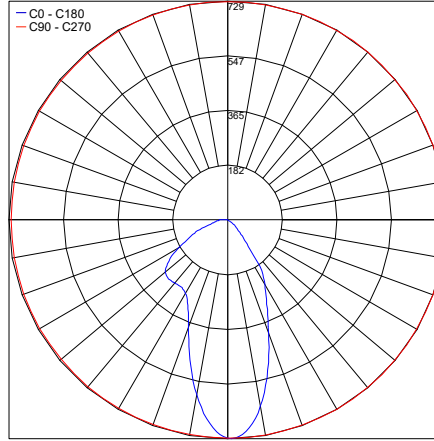
PHOTOMETRIC FILENAME : BERICA_OUT_1.1_Single_A_3000K_CR180_15W.IES

Maximum Candela = 593.1



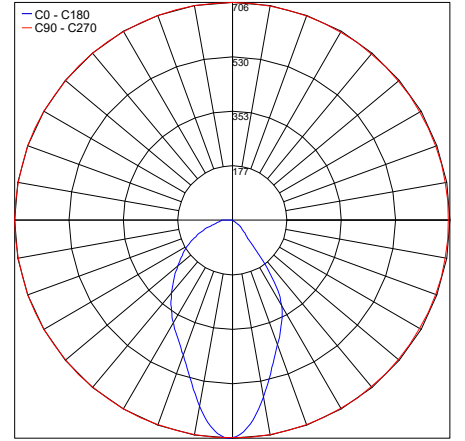
PHOTOMETRIC FILENAME : BERICA_OUT_1.1_D_3000K_CR180_15W.IES

Maximum Candela = 729.3



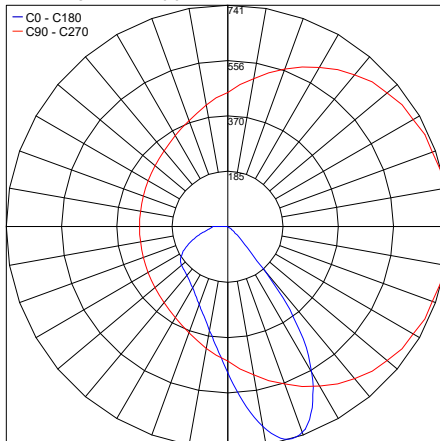
PHOTOMETRIC FILENAME : BERICA_OUT_1.1_Single_L_42X102_3000K_CR190_15W.IES

Maximum Candela = 706.4



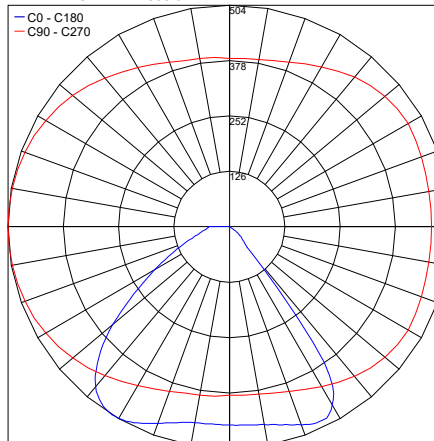
PHOTOMETRIC FILENAME : BERICA_OUT_1.1_Single_K_62X100_3000K_CR190_15W.IES

Maximum Candela = 740.8



PHOTOMETRIC FILENAME : BERICA_OUT_1.1_Single_A_3000K_CR190_15W.IES

Maximum Candela = 503.9



PHOTOMETRIC FILENAME : BERICA_OUT_1.1_Single_D_3000K_CR190_15W.IES

Job Name/Date:

Fixture Type Designation: