

# BERICA OUT 1.2

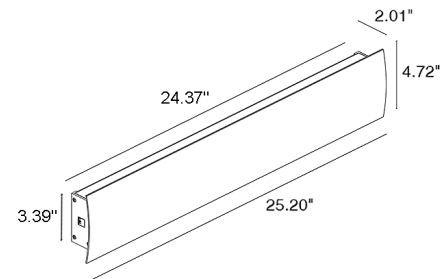
Berica Out is a family of single- or double-beam, surface-mounted outdoor fixtures with a minimalist design. It is available in 3 sizes and 3 different styles of cover - convex, flat and concave. Berica Out 1.2 is a convex, 25.2" version available in 3 color temperatures with 4 standard finishes, including primer.

## TECHNICAL DATA

<b>Wattage</b>	30W per beam
<b>Power Supply</b>	Remote 1400mA, not included. See page 2.
<b>Construction</b>	Body/Cover: Anticorodal Aluminum
<b>CCT</b>	2200K, 2700K, 3000K, 4000K
<b>CRI</b>	80, >90
<b>BUG Rating</b>	B1-U5-G1 (CRI 80 & >90, Diffuse, Asym) B2-U5-G1 (CRI 80, 62°x100° & 42°x102°) B1-U5-G1 (CRI >90, 62°x100° & 42°x102°)
<b>Delivered Lumens</b>	2455 lm per beam (3000K, Diffuse, CRI >90) 2888 lm per beam (3000K, Diffuse, CRI 80)
<b>Efficacy</b>	81.8 lm/W per beam (3000K, Diffuse, CRI >90) 96.3 lm/W per beam (3000K, Diffuse, CRI 80)
<b>Optics</b>	42°x102°, 62°x100°, Asymmetrical, Diffuse
<b>Finishes</b>	Primer, Anthracite, Cor-ten, White (4 Stage Marine Grade Finish)
<b>Fixture Dimensions</b>	25.20" l x 4.72" w x 2.01" deep
<b>Fixture Weight</b>	5.51 lbs
<b>LED Source</b>	48 Mid Power LEDs per beam
<b>Lumen Maintenance</b>	L80, B10 >50,000hrs (Ta 25°C)
<b>Color Consistency</b>	2-step MacAdam
<b>Operating Temp.</b>	32°F to +113°F
<b>IP Rating</b>	IP65
<b>Impact Resistance</b>	IK07



Fixture Dimensions



## ORDERING INFORMATION

Example: BU121010005KW7. Power Supplies ordered separately.

Model No.	CRI	CCT	Optics	Finish
BU1210 - Double Beam	0000 - CRI 80	N - 2200K	LW - 42°x102°	H - Anthracite
BU1211 - Single Beam	1000 - CRI >90	F - 2700K	KW - 62°x100°	T - Cor-ten
		5 - 3000K	0A - Asymmetrical	7 - Primer
		9 - 4000K	0D - Diffuse	E - White

Job Name/Date:

Fixture Type Designation:

## SUGGESTED POWER SUPPLIES

1400mA - Double Beam

Part Number	Description	Input/Output	# of Fixtures
<a href="#">PPLT00558-P</a>	0-10V Dimming to 0.1%	120-277VAC to 1400mA, 75W, Class 2	1-1

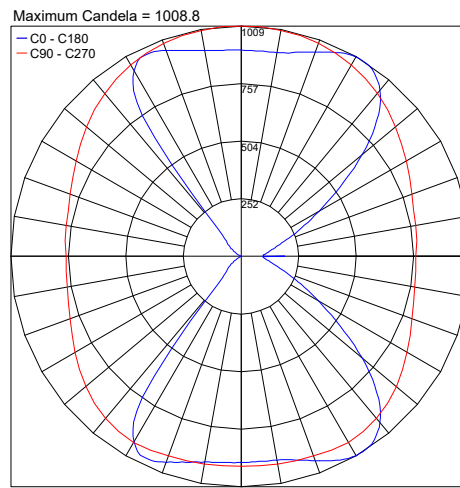
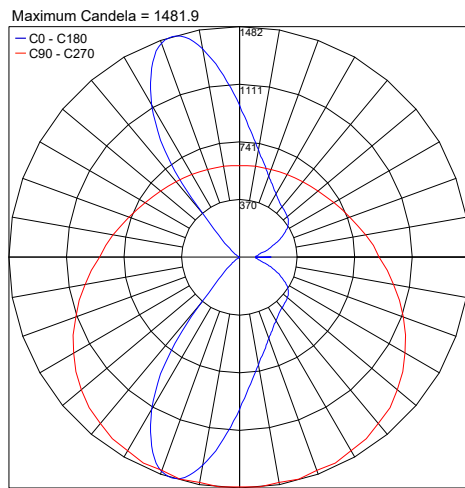
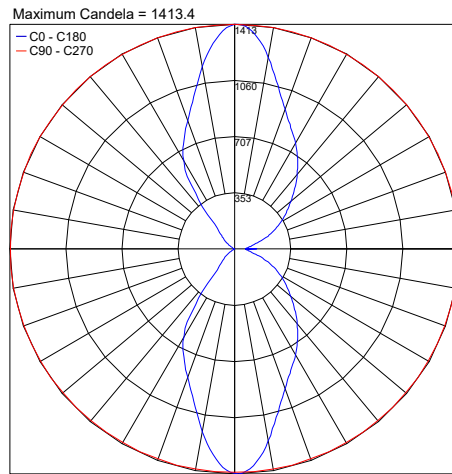
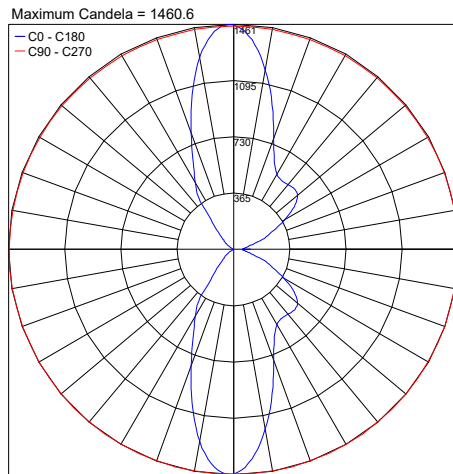
For other power supply options consult factory.

## SUGGESTED POWER SUPPLIES

Single Beam - Consult Factory

## PHOTOMETRIC DATA

Note all Photometry is 3000K, Double Beam Versions, CRI>90

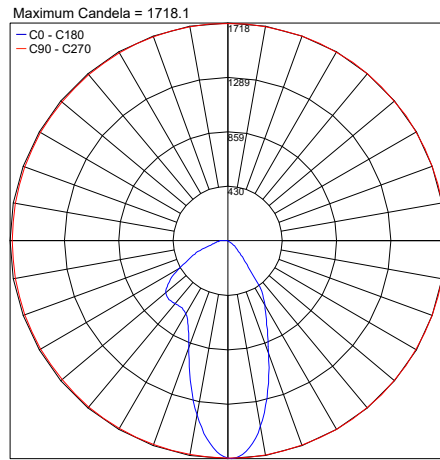


Job Name/Date:

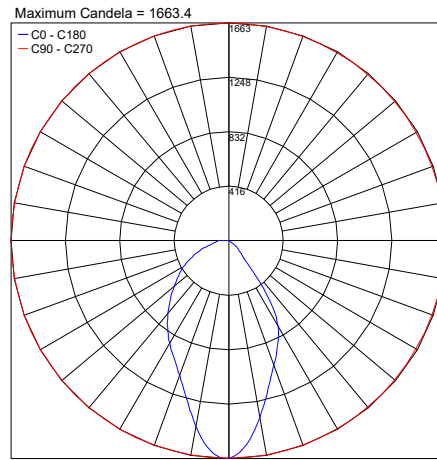
Fixture Type Designation:

## PHOTOMETRIC DATA

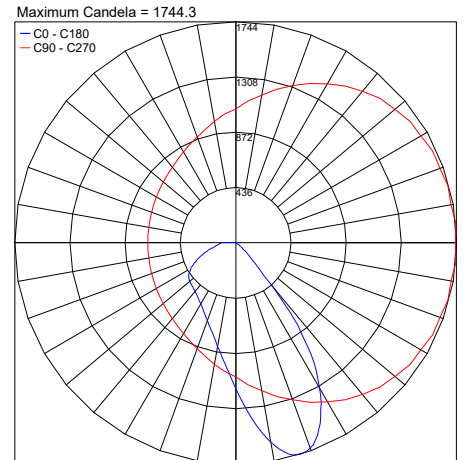
Note: all Photometry is 3000K, Single Beam Versions



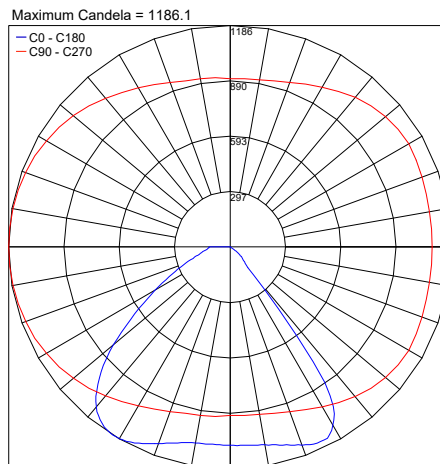
PHOTOMETRIC FILENAME : BERICA\_OUT\_1.2\_Single\_L\_42X102\_3000K\_CR180\_30W.IES



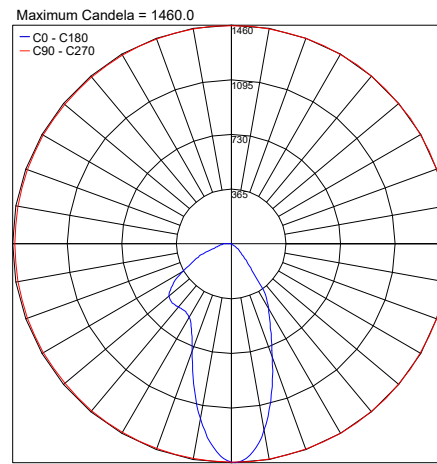
PHOTOMETRIC FILENAME : BERICA\_OUT\_1.2\_Single\_K\_62X100\_3000K\_CR180\_30W.IES



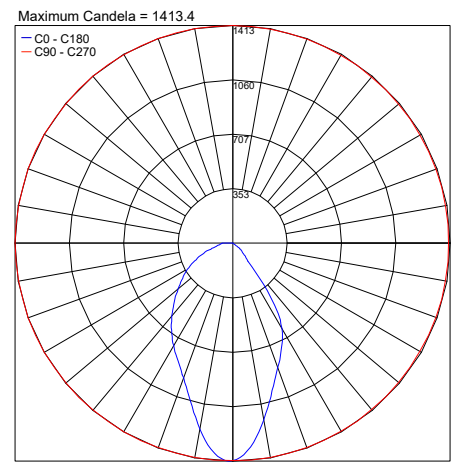
PHOTOMETRIC FILENAME : BERICA\_OUT\_1.2\_Single\_A\_3000K\_CR180\_30W.IES



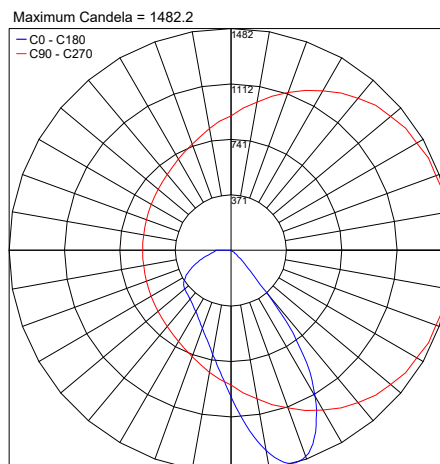
PHOTOMETRIC FILENAME : BERICA\_OUT\_1.2\_Single\_D\_3000K\_CR180\_30W.IES



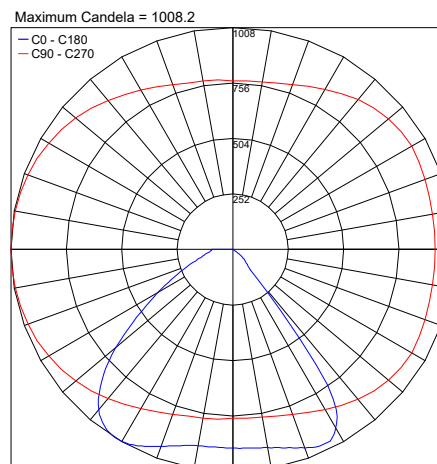
PHOTOMETRIC FILENAME : BERICA\_OUT\_1.2\_Single\_L\_42X102\_3000K\_CR190\_30W.IES



PHOTOMETRIC FILENAME : BERICA\_OUT\_1.2\_Single\_K\_62X100\_3000K\_CR190\_30W.IES



PHOTOMETRIC FILENAME : BERICA\_OUT\_1.2\_Single\_A\_3000K\_CR190\_30W.IES



PHOTOMETRIC FILENAME : BERICA\_OUT\_1.2\_Single\_D\_3000K\_CR190\_30W.IES

Job Name/Date:

Fixture Type Designation: