

BERICA OUT 2.0

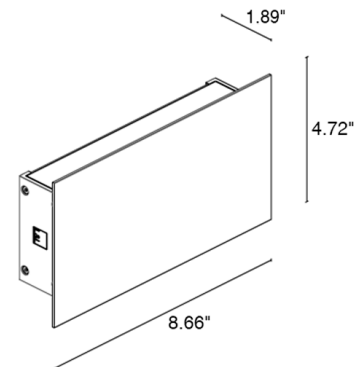
Berica OUT is a family of double beam, surface-mounted outdoor fixtures with a minimalist design. It is available in 3 sizes and 3 different styles of cover - convex, flat and concave. Berica Out 2.0 is a flat 8.7" version, available in 3 color temperatures with 4 standard finishes.



TECHNICAL DATA

Wattage / Input	15W (350mA)
Power Supply	Remote, not included. See page 2.
Construction	Body/Cover: Anticorodal Aluminum Lens: Tempered Extra-clear Glass
CCT	2200K, 2700K, 3000K, 4000K
CRI	80, >90
BUG Rating	B1-U4-G0 (CRI 80, Diff., Assym, 62x100, 42x102) B0-U4-G0 (CRI 80, Diff., Assym, 62x100, 42x102) B1-U4-G0 (CRI >90, 62x100)
Delivered Lumens	1268 lm (3000K, diffuse, CRI >90) 1490 lm (3000K, diffuse, CRI 80)
Efficacy	84.5 lm (3000K, diffuse, CRI >90) 99.3 lm (3000K, diffuse, CRI 80)
Optics	42°x102°, 62°x100°, Asymmetrical, Diffuse
Finishes	White, Cor-ten, Primer, Anthracite
Fixture Dimensions	8.66" l x 4.72" h x 1.89" deep
Fixture Weight	2.09 lbs
LED Source	24 Mid Power LEDs
Lumen Maintenance	L80, B10 >50,000hrs (Ta 25°C)
Color Consistency	2-step MacAdam
Operating Temp.	32°F to +113°F
IP Rating	IP65
Impact Resistance	IK07

Fixture Dimensions



ORDERING INFORMATION

Example: BU201010005KWT. Power Supplies ordered separately.

BU2010				
Model No.	CRI	CCT	Optics	Finish
BU2010	0000 - CRI 80 1000 - CRI >90	N - 2200K F - 2700K 5 - 3000K 9 - 4000K	LW - 42°x102° KW - 62°x100° 0A - Asymmetrical 0D - Diffuse	H - Anthracite T - Cor-ten 7 - Primer E - White

Job Name/Date:

Fixture Type Designation:

SUGGESTED POWER SUPPLIES

350mA

Part Number	Description	Input/Output	# of Fixtures
PPLT00465-P	0-10V Dimming to 1.0%	120-277VAC to 350mA, 10W, Class 2, DAMP	1-1
PPLT00263	Leading / Trailing Edge Dimming to 10% (120V only)	120-277VAC to 350mA, 32W, Class 2	1-1
PPLT00168-P	0-10V Dimming to 1.0% (2 channels)	120-277VAC to 350mA, 50W, Class 2	1-1 (1-2)
PPLT00538-P	0-10V Dimming to 0.1% (4 channels)	120-277VAC to 350mA, 100W, Class 2	1-1 (1-4)

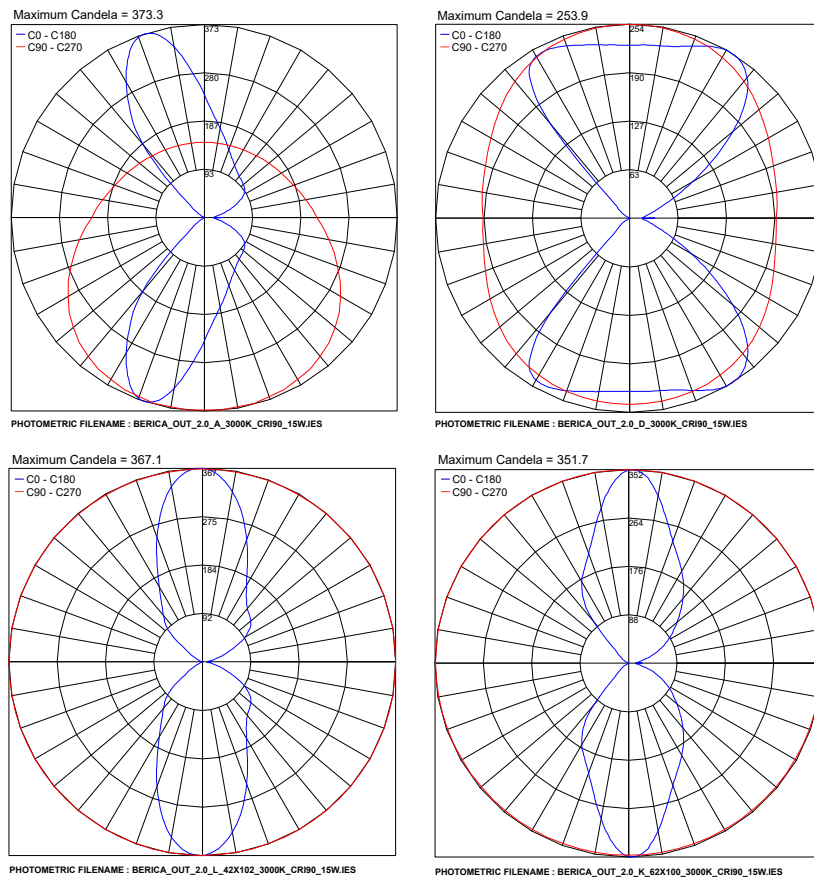
Suggested Lutron Compatible

Part Number	Option	Lutron SKU	Dim Range	Description	Input/Output	# of Fixtures
PPLT00179	L3DAE / L3DA3W	L3DA	100%-1%	Hi-Lume™ 1% EcoSystem™ or 1% 3-Wire LED Driver	120-277VAC to 350mA, 19W, Class 2	1-1

For other power supply options consult factory.

PHOTOMETRIC DATA

Note: all Photometry is 3000K, CRI>90



Job Name/Date:

Fixture Type Designation: