

BERICA OUT 2.2

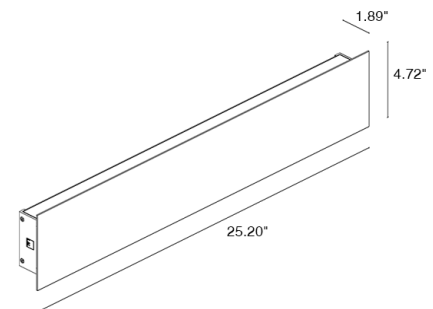
Berica Out is a family of double beam, surface-mounted outdoor fixtures with a minimalist design. It is available in 3 sizes and 3 different styles of cover - convex, flat and concave. Berica Out 2.2 is a flat, 25.2" version available in 3 color temperatures and 4 standard finishes, including primer.



TECHNICAL DATA

Wattage / Input	56W (1400mA)
Power Supply	Remote, not included. See page 2.
Construction	Body/Cover: Anticorodal Aluminum
CCT	2200K, 2700K, 3000K, 4000K
CRI	80, >90
BUG Rating	B1-U5-G1 (CRI 80, Diff., Assym & >90, Diff., Assym, 62x100, 42x102) B2-U5-G1 (CRI 80, 62x100, 42x102)
Delivered Lumens	4910 lm (3000K, diffuse, CRI >90) 5776 lm (3000K, diffuse, CRI 80)
Efficacy	87.7 lm/W (3000K, diffuse, CRI >90) 103.1 lm/W (3000K, diffuse, CRI 80)
Optics	42°x102°, 62°x100°, Asymmetrical, Diffuse
Finishes	Primer, Anthracite, Cor-ten, White
Fixture Dimensions	25.20" l x 4.72" w x 1.89" deep
Fixture Weight	5.51 lbs
LED Source	96 Mid Power LEDs
Lumen Maintenance	L80, B10 >50,000hrs (Ta 25°C)
Color Consistency	2-step MacAdam
Operating Temp.	32°F to +113°F
IP Rating	IP65
Impact Resistance	IK07

Fixture Dimensions



ORDERING INFORMATION

Example: BU221010005KW7. Power Supplies ordered separately.

BU2210				
Model #	CRI	CCT	Optics	Finish
BU2210	0000 - CRI 80 1000 - CRI >90	N - 2200K F - 2700K 5 - 3000K 9 - 4000K	LW - 42°x102° KW - 62°x100° 0A - Asymmetrical 0D - Diffuse	H - Anthracite T - Cor-ten 7 - Primer E - White

Job Name/Date:

Fixture Type Designation:

SUGGESTED POWER SUPPLIES

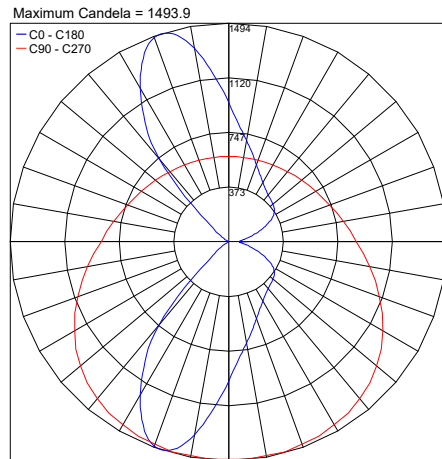
1400mA

Part Number	Description	Input/Output	# of Fixtures
PPLT00558-P	0-10V Dimming to 0.1%	120-277VAC to 1400mA, 75W, Class 2	1-1

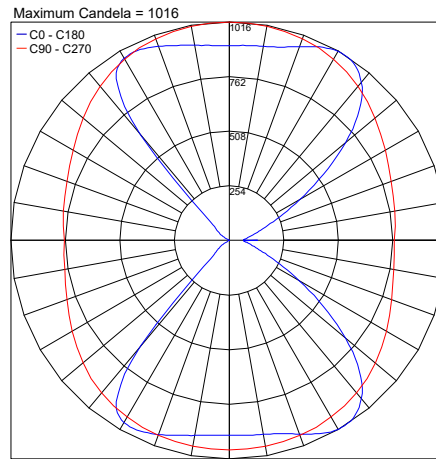
For other power supply options consult factory.

PHOTOMETRIC DATA

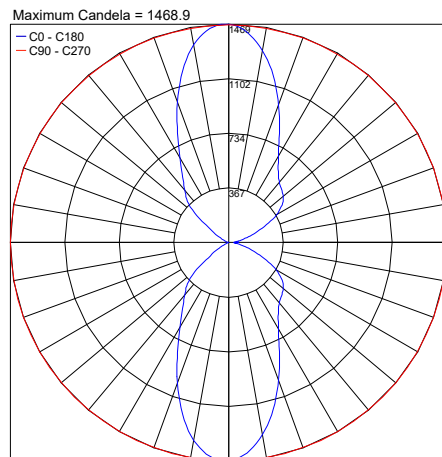
Note all Photometry is 3000K, CRI>90



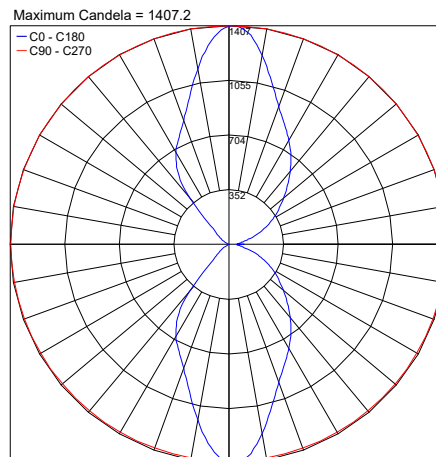
PHOTOMETRIC FILENAME : BERICA_OUT_2.2_A_3000K_CR190_56W.IES



PHOTOMETRIC FILENAME : BERICA_OUT_2.2_D_3000K_CR190_56W.IES



PHOTOMETRIC FILENAME : BERICA_OUT_2.2_L_42X102_3000K_CR190_56W.IES



PHOTOMETRIC FILENAME : BERICA_OUT_2.2_K_62X100_3000K_CR190_56W.IES

Job Name/Date:

Fixture Type Designation: