

# BERICA OUT 3.1

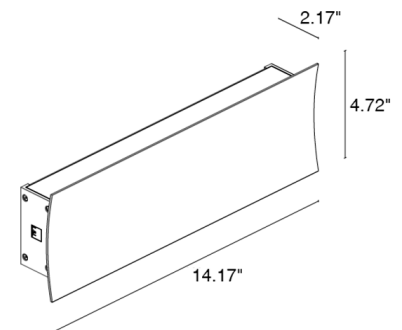
Berica Out is a family of double beam, surface-mounted outdoor fixtures with a minimalist design. It is available in 3 sizes and 3 different styles of cover - convex, flat and concave. Berica Out 3.1 is a concave, 14.2" version available in 3 color temperatures and 4 standard finishes, including primer.



## TECHNICAL DATA

<b>Wattage</b>	30W (700mA)
<b>Power Supply</b>	Remote, not included. See page 2.
<b>Construction</b>	Body/Cover: Anticorodal Aluminum Lens: Tempered Extra-clear Glass
<b>CCT</b>	2200K, 2700K, 3000K, 4000K
<b>CRI</b>	80, >90
<b>BUG Rating</b>	B1-U5-G0 (CRI 80, CRI >90, Diffuse, Assym, 62x100, 42x102)
<b>Delivered Lumens</b>	2602 lm (3000K, diffuse, CRI >90) 3060 lm (3000K, diffuse, CRI 80)
<b>Efficacy</b>	86.7 lm/W (3000K, diffuse, CRI >90) 102 lm/W (3000K, diffuse, CRI 80)
<b>Optics</b>	42°x102°, 62°x100°, Asymmetrical, Diffuse
<b>Finishes</b>	Cor-ten, Primer, White, Anthracite
<b>Fixture Dimensions</b>	14.17" l x 4.72" h x 1.89" deep
<b>Fixture Weight</b>	3.31 lbs
<b>LED Source</b>	48 Mid Power LEDs
<b>Lumen Maintenance</b>	L80, B10 >50,000hrs (Ta 25°C)
<b>Color Consistency</b>	2-step MacAdam
<b>Operating Temp.</b>	32°F to +113°F
<b>IP Rating</b>	IP65
<b>Impact Resistance</b>	IK07

Fixture Dimensions



## ORDERING INFORMATION

Example: BU311010005KW7-1. Power Supplies ordered separately.

BU3110				
Model #	CRI	CCT	Optics	Finish
BU3110	0000 - CRI 80 1000 - CRI >90	N - 2200K F - 2700K 5 - 3000K 9 - 4000K	LW - 42°x102° KW - 62°x100° 0A - Asymmetrical 0D - Diffuse	H - Anthracite T - Cor-ten 8 - Primer E - White

Job Name/Date:

Fixture Type Designation:

## SUGGESTED POWER SUPPLIES

700mA

Part Number	Description	Input/Output	# of Fixtures
<a href="#">PPLT00308-P</a>	0-10V Dimming to 0.1%	120-277VAC to 700mA, 30W, Class 2, DAMP	1-1
<a href="#">PPLT00261</a>	Leading / Trailing Edge Dimming to 10% (120V only)	120-277VAC to 700mA, 32W, Class 2	1-1
<a href="#">PPLT00467-P</a>	0-10V Dimming to 1.0%	120-277VAC to 700mA, 50W, Class 2	1-1

## Suggested Lutron Compatible

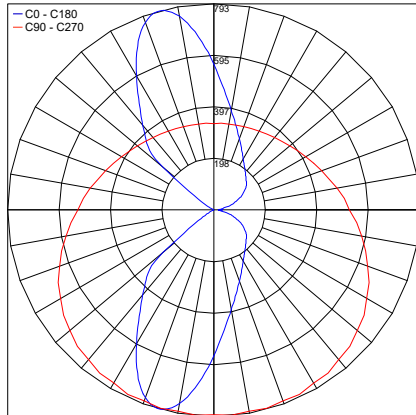
Part Number	Option	Lutron SKU	Dim Range	Description	Input/Output	# of Fixtures
<a href="#">PPLT00181</a>	L3DAE / L3DA3W	L3DA	100%-1%	Hi-Lume™ 1% EcoSystem™ or 1% 3-Wire LED Driver	120-277VAC to 700mA, 38W, Class 2	1-1

For other power supply options consult factory.

## PHOTOMETRIC DATA

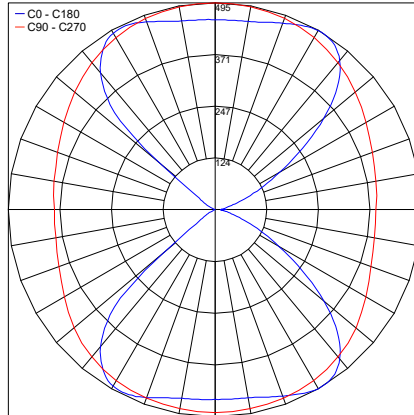
Note all Photometry is 3000K, CRI80

Maximum Candela = 793.3



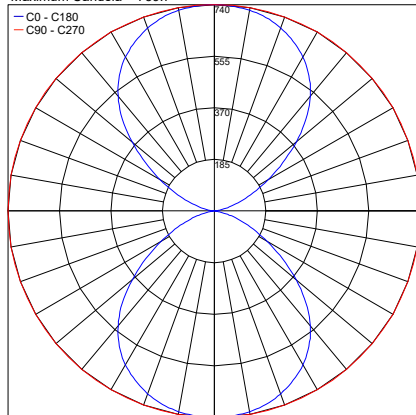
PHOTOMETRIC FILENAME : BERICA\_OUT\_3.1\_A\_3000K\_CRI90\_30W.IES

Maximum Candela = 494.8



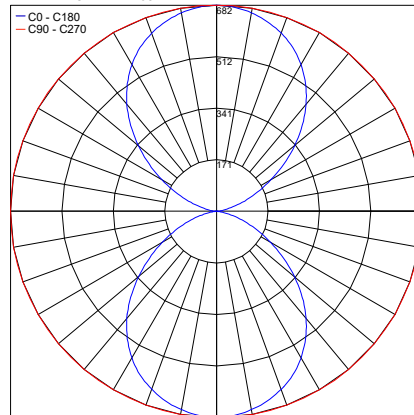
PHOTOMETRIC FILENAME : BERICA\_OUT\_3.1\_D\_3000K\_CRI90\_30W.IES

Maximum Candela = 739.7



PHOTOMETRIC FILENAME : BERICA\_OUT\_3.1\_L\_42X102\_3000K\_CRI90\_30W.IES

Maximum Candela = 682.2



PHOTOMETRIC FILENAME : BERICA\_OUT\_3.1\_K\_62X100\_3000K\_CRI90\_30W.IES

Job Name/Date:

Fixture Type Designation: