

# BERICA OUT 3.2

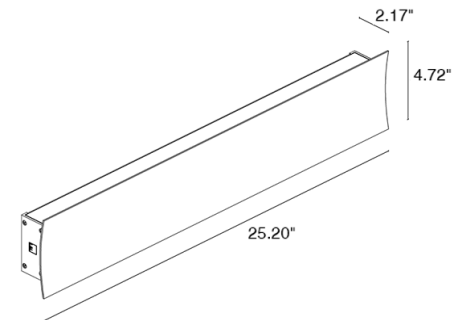
Berica Out is a family of double beam, surface-mounted outdoor fixtures with a minimalist design. It is available in 3 sizes and 3 different styles of cover - convex, flat and concave. Berica Out 3.2 is a concave, 25.2" version available in 3 color temperatures and 4 standard finishes, including primer.



## TECHNICAL DATA

<b>Wattage / Input</b>	56W (1400mA)
<b>Power Supply</b>	Remote, not included. See page 2.
<b>Construction</b>	Body/Cover: Anticorodal Aluminum
<b>CCT</b>	2200K, 2700K, 3000K, 4000K
<b>CRI</b>	80, >90
<b>BUG Rating</b>	B2-U5-G1 ((CRI 80, Assym, 62x100, 42x102) B1-U5-G1 (CRI >90, Diffuse)
<b>Delivered Lumens</b>	5202 lm (3000K, diffuse, CRI >90) 6120 lm (3000K, diffuse, CRI 80)
<b>Efficacy</b>	92.9 lm/W (3000K, diffuse, CRI >90) 109.3 lm/W (3000K, diffuse, CRI 80)
<b>Optics</b>	42°x102°, 62°x100°, Asymmetrical, Diffuse
<b>Finishes</b>	Primer, Anthracite, Cor-ten, White
<b>Fixture Dimensions</b>	25.20" l x 4.72" w x 1.89" deep
<b>Fixture Weight</b>	5.51 lbs
<b>LED Source</b>	96 Mid Power LEDs
<b>Lumen Maintenance</b>	L80, B10 >50,000hrs (Ta 25°C)
<b>Color Consistency</b>	2-step MacAdam
<b>Operating Temp.</b>	32°F to +113°F
<b>IP Rating</b>	IP65
<b>Impact Resistance</b>	IK07

Fixture Dimensions



## ORDERING INFORMATION

Example: BU321010005KW7. Power Supplies ordered separately.

BU3210				
Model #	CRI	CCT	Optics	Finish
BU3210	0000 - CRI 80 1000 - CRI >90	N - 2200K F - 2700K 5 - 3000K 9 - 4000K	LW - 42°x102° KW - 62°x100° 0A - Asymmetrical 0D - Diffuse	H - Anthracite T - Cor-ten 7 - Primer E - White

Job Name/Date:

Fixture Type Designation:

## SUGGESTED POWER SUPPLIES

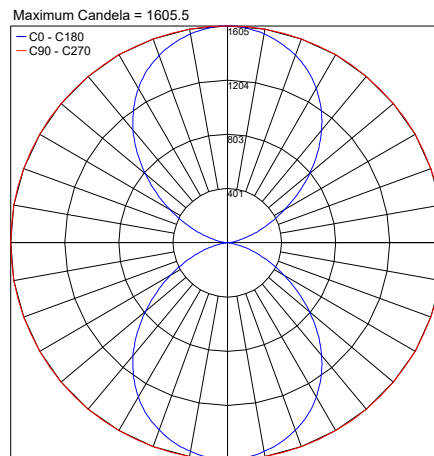
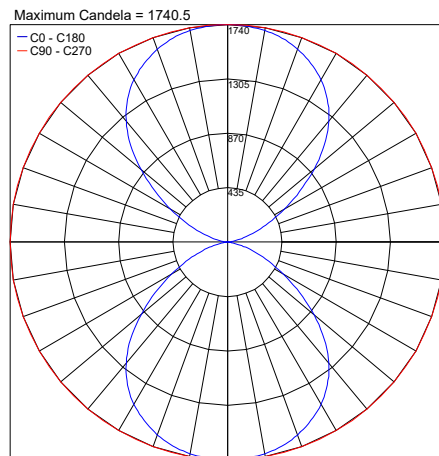
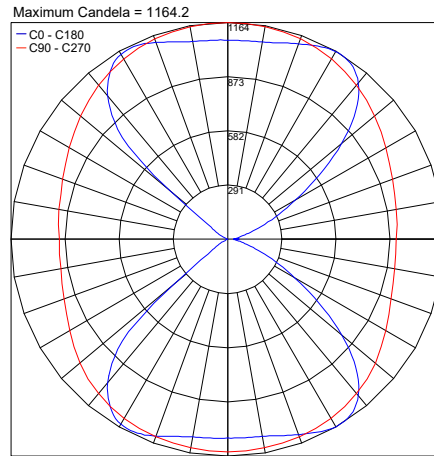
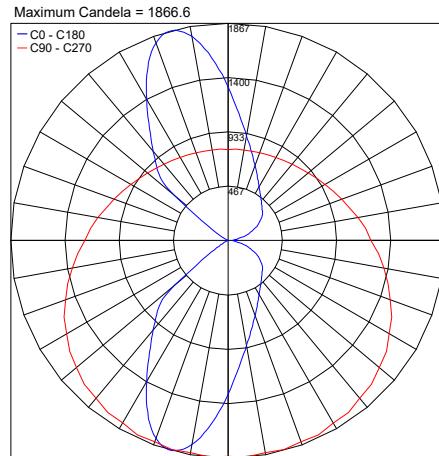
1400mA

Part Number	Description	Input/Output	# of Fixtures
<a href="#">PPLT00558-P</a>	0-10V Dimming to 0.1%	120-277VAC to 1400mA, 75W, Class 2	1-1

For other power supply options consult factory.

## PHOTOMETRIC DATA

Note all Photometry is 3000K, CRI80



Job Name/Date:

Fixture Type Designation: