

# COLORADO 3.0, 3.1, 3.2

Colorado is an adjustable (+/- 20°), driveover-rated, linear profile with a powerful lighting performance - more than 5700 lm per square meter (3.3 ft) - for architectural lighting of facades up to 65.6 ft (20 m) tall. Each series is available in 3 lengths and 3 configurations (recessed flush, recessed frame and surface mounted using brackets). Colorado 3 Series is the surface mounted (ceiling, wall, floor) version.



## TECHNICAL DATA

<b>Wattage</b>	41W, 62W, 83W
<b>Power Supply</b>	Integral 120-277VAC
<b>Construction</b>	Body: Anticorodal Aluminum Caps: Technopolymer Bracket: Stainless Steel Lens: Serigraphed or Acid-Etched (Diffuse Version) & Transparent Extra-Clear Glass
<b>CCT</b>	2200K, 2700K, 3000K, 4000K
<b>CRI</b>	80
<b>BUG Rating</b>	B3-U1-G0 (30°) B2-U1-G0 (Diffuse) <i>Colorado 3.0</i> B3-U1-G0 (30°) B2-U1-G0 (Diffuse) <i>Colorado 3.1</i> B4-U1-G0 (30°) B3-U1-G0 (Diffuse) <i>Colorado 3.2</i>
<b>Delivered Lumens</b>	See Chart on page 2.
<b>Efficacy</b>	See Chart on page 2
<b>Optics</b>	6 Available, see below
<b>Finishes</b>	Black
<b>Fixture Dimensions</b>	See Chart on page 2.
<b>Fixture Weight</b>	See Chart on page 2.
<b>Lumen Maintenance</b>	L80, B10>60,000 hrs (Ta 25°C)
<b>Color Consistency</b>	2-Step MacAdam, 3-Step MacAdam (2200K)
<b>Operating Temp.</b>	-4°F to +113°F
<b>IP Rating</b>	IP65, IP67, IP69
<b>Impact Rating</b>	IK09

## ORDERING INFORMATION

Example: CA301000050LN. Accessories ordered separately.

<b>Model No.</b>	<b>Accessories</b>	<b>CCT</b>	<b>Optics</b>
CA301000 - Colorado 3.0 (41W)	00 - None	N0 - 2200K	SN - 12°
CA311000 - Colorado 3.1 (62W)	01 - Honeycomb Louvre*	F0 - 2700K	MN - 30°
CA321000 - Colorado 3.2 (83W)	02 - Anti-Glare Shield*	50 - 3000K	LN - 45°
	NOTE: *Honeycomb Louvre and Anti-Glare Shield are available on all optics except diffuse.	90 - 4000K	KN - 76°
			WN - 15°x50°
			DN - Diffuse

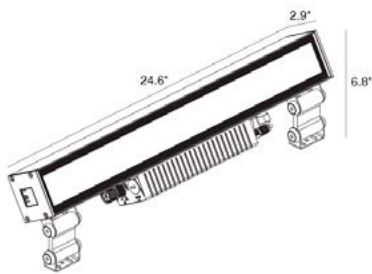
Job Name/Date:

Fixture Type Designation:

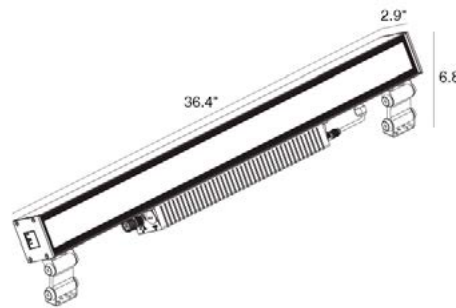
## TECHNICAL DATA

	COLORADO 3.0	COLORADO 3.1	COLORADO 3.2
<b>Wattage</b>	41W	62W	83W
<b>Delivered Lumens (3000K)</b>	3643 lm (12°)	5645 lm (12°)	7286 lm (12°)
<b>Efficacy</b>	88.9 lm/W	91.0 lm/W	87.8 lm/W
<b>Fixture Dim. (l,w,h)</b>	24.61" x 2.87" x 6.81"	36.42" x 2.87" x 6.81"	48.23" x 2.87" x 6.81"
<b>Fixture Weight</b>	12.79 lbs	18.30 lbs	22.05 lbs
<b>LED Source</b>	18 High Power LEDs, spacing 0.79"	27 High Power LEDs, spacing 0.79"	36 high power LEDs, spacing 0.79"

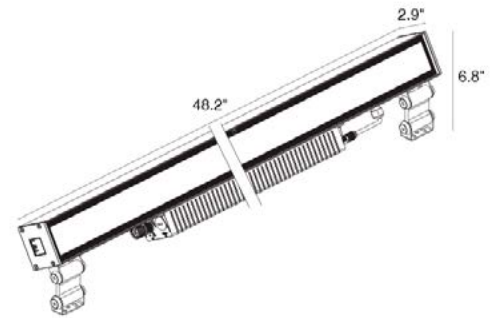
## FIXTURE DIMENSIONS



COLORADO 3.0



COLORADO 3.1



COLORADO 3.2

## ADJUSTABILITY & ANTI-GLARE FEATURES



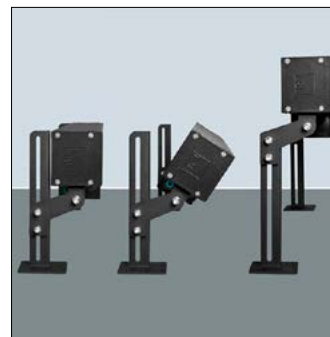
Anti-glare solutions. The honeycomb louvre or anti-glare shield, which can be ordered at the same time as the fixture, is mounted on the optical unit, so that the chosen option tilts together with the optics.



Tilting system inside the optical unit. The light direction can be altered by  $\pm 20^\circ$  externally with a simple adjustment on the end caps, without compromising the fixture's IP65 or IP67 protection level.



In/out connection and easy wiring with quick connectors designed to connect the profiles one after the other.



Accessory brackets, not included, can be adjusted to position the light output as desired. The fixture can be spaced up to 10.63" from the installation surface to reach past protruding architectural elements, such as cornices, corbels or cordons, and direct the light output where it is needed.

Job Name/Date:

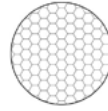
Fixture Type Designation:

## ACCESSORIES - Installation

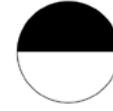


**WMA04N** - adjustable 0 - 5.9 in.  
Brackets (set of 2)

## Optical



**Honeycomb Louver**  
Built into fixture - add in the model no when ordering  
*Can be fitted on all optics except for diffuse optics*



**Anti-Glare Shield**  
Built into fixture - add in the model no when ordering  
*Can be fitted on all optics except for diffuse optics*

## Wiring Materials



**WFA0005**  
16.40' 4-Pin Interconnect Cable  
*0-10V version*

**WFA0101**  
4.92' 4-Pin Interconnect Cable  
*0-10V version*



**WFA01**  
4-pin male connector  
for IP68 in/out connection  
*0-10V version*



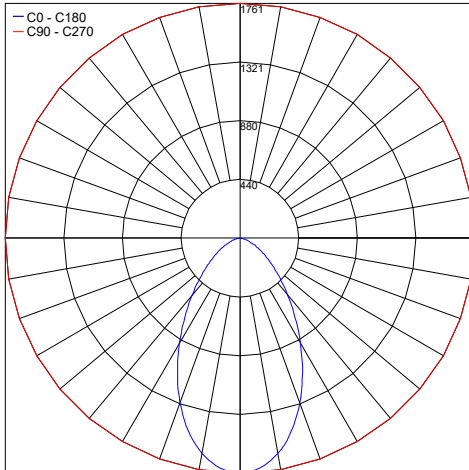
**WFA05**  
5-pin male connector  
for IP68 in/out connection  
*0-10V version*

## PHOTOMETRIC DATA

Note: all Photometry is 3000K - continued on page3 - see IES files for more optics

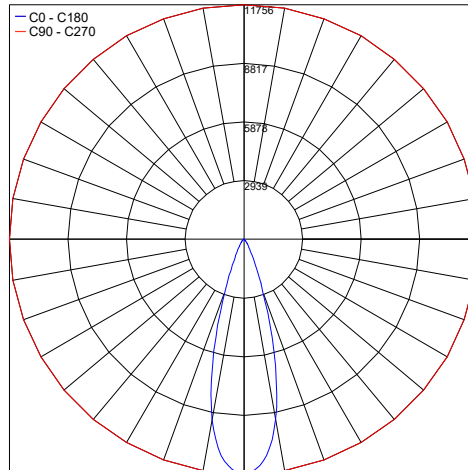
### COLORADO 3.0

Maximum Candela = 1760.9

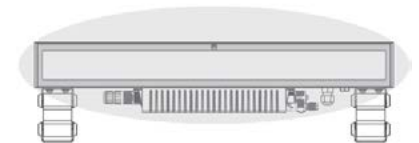


PHOTOMETRIC FILENAME : COLORADO 3.0 D [3000K 41W].IES

Maximum Candela = 11756.2



PHOTOMETRIC FILENAME : COLORADO 3.0 M 30° [3000K 41W].IES



15°x50°

Job Name/Date:

Fixture Type Designation:

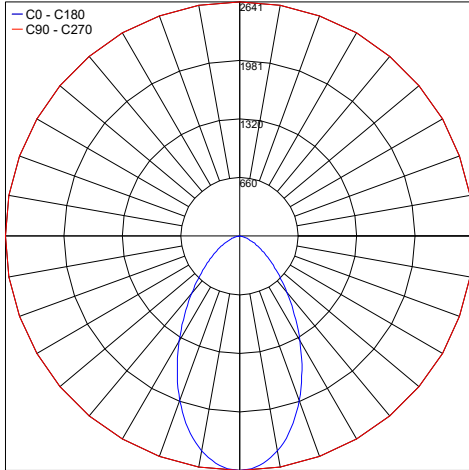
# COLORADO 3.0, 3.1, 3.2

## PHOTOMETRIC DATA

Note: all Photometry is 3000K

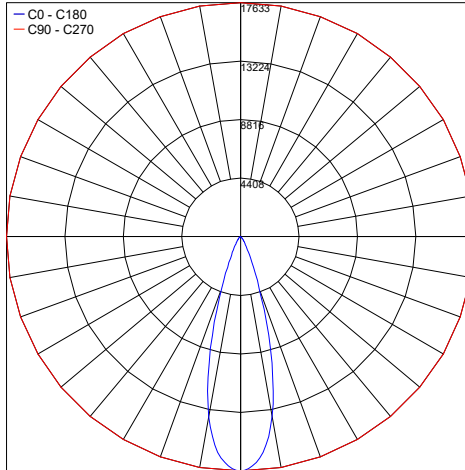
### COLORADO 3.1

Maximum Candela = 2640.9



PHOTOMETRIC FILENAME : COLORADO 3.1 D [3000K 62W].IES

Maximum Candela = 17632.7



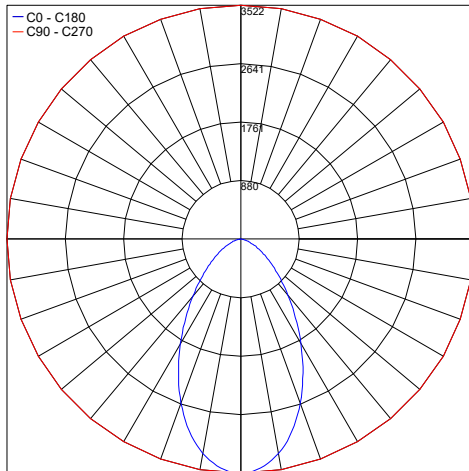
PHOTOMETRIC FILENAME : COLORADO 3.1 M 30° [3000K 62W].IES



15°x50°

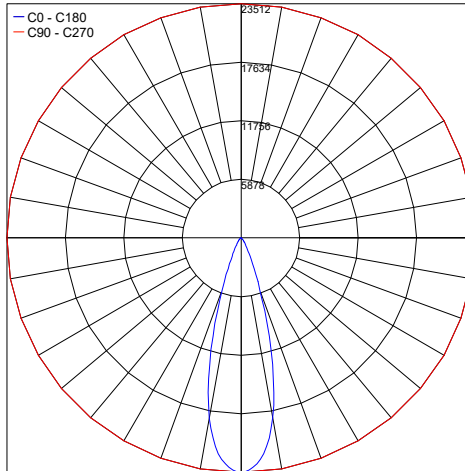
### COLORADO 3.2

Maximum Candela = 3521.7



PHOTOMETRIC FILENAME : COLORADO 3.2 D [3000K 83W].IES

Maximum Candela = 23512.4



PHOTOMETRIC FILENAME : COLORADO 3.2 M 30° [3000K 83W].IES



15°x50°

Job Name/Date:

Fixture Type Designation: