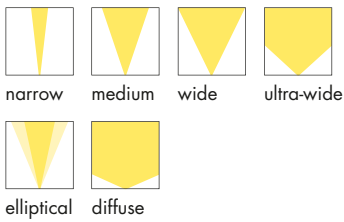
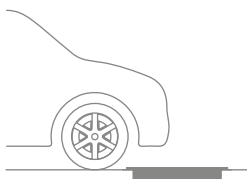


< **COLORADO 2.0**
3000K, 41W, 12°



**RECESSED,
WITH REBATED FRAME**



COLORADO 1.0
41W
26.73"

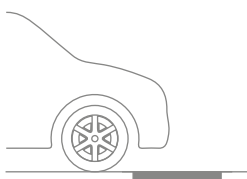


COLORADO 1.1
62W
38.54"



COLORADO 1.2
83W
50.35"

**RECESSED FLUSH,
WITHOUT FRAME**



COLORADO 2.0
41W
24.88"

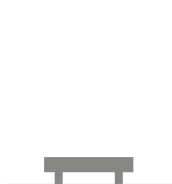


COLORADO 2.1
62W
36.69"



COLORADO 2.2
83W
48.50"

**SURFACE MOUNTED,
WITH BRACKETS**



COLORADO 3.0
41W
24.61"



COLORADO 3.1
62W
36.42"

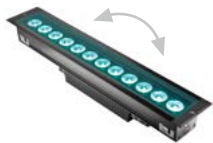


COLORADO 3.2
83W
48.23"

OUTDOOR LINEAR PROFILES ARCHITECTURAL LIGHTING FOR FACADES UP TO 65.62' TALL



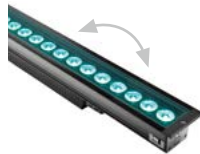
RGBW



COLORADO 4.0
43W
DMX, RDM
26.73"



RGBW



COLORADO 4.1
64W
DMX, RDM
38.54"



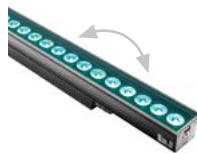
RGBW



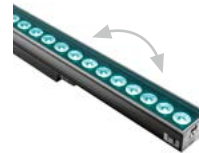
COLORADO 4.2
85W
DMX, RDM
50.35"



COLORADO 5.0
43W
DMX, RDM
24.88"



COLORADO 5.1
64W
DMX, RDM
36.69"



COLORADO 5.2
85W
DMX, RDM
48.50"



COLORADO 6.0
43W
DMX, RDM
24.61"



COLORADO 6.1
64W
DMX, RDM
36.42"



COLORADO 6.2
85W
DMX, RDM
48.23"

12°



IP65 / IP67

SUITABLE FOR OUTDOOR APPLICATIONS



BUILT-IN PROTECTION SYSTEMS:

PID

PROTECTIVE IMPEDANCE DEVICE



BUILT-IN
POWER SUPPLY UNIT



COLORADO 1 / 2 / 3
AVAILABLE IN DALI AND
0/1-10V DIMMABLE VERSIONS



COLORADO 4 / 5 / 6
LIGHTING CONTROL USING
THE DMX RDM PROTOCOL

30°

45°

MAXIMUM RESISTANCE TO CORROSION
COLORADO IS SUITABLE FOR INSTALLATION IN HARSH ENVIRONMENTS SUCH AS THE SALINE CONDITIONS FOUND IN MARITIME AREAS: THE COMBINATION OF A BODY IN ANTICORODAL® LOW-COPPER-CONTENT ALUMINUM AND CAPS IN TECHNOPOLYMER ENSURES EXCELLENT HEAT DISSIPATION AND OUTSTANDING CORROSION RESISTANCE



IK09 / IK10

LENS IN TRANSPARENT EXTRA-CLEAR GLASS, UP TO 0.39" THICK, HIGH TRANSMITTANCE



TO ENSURE CHROMATIC UNIFORMITY OF LIGHT, SERIGRAPHED GREY (RAL 7015), AND TEMPERED FOR EXCELLENT IMPACT AND SCRATCH RESISTANCE

76°



COLORADO 1 / 4 DRIVE-OVER UP TO 4409.24 lbs
COLORADO 2 DRIVE-OVER UP TO 3306.93 lbs
COLORADO 5 DRIVE-OVER UP TO 3747.86 lbs

ANTI-GLARE RECESSED OPTICS
TO ENSURE VISUAL COMFORT

15°x50°

LIGHTING PERFORMANCE
A LUMINOUS FLUX OF OVER
5700 LM PER SQUARE METRE
MEANS FACADES AS TALL AS
65.6' CAN BE LIT



diffuse

UNIQUE SELLING POINTS



AVAILABLE IN COLOR TEMPERATURES 2700K, 3000K AND 4000K, AND IN A WARM 2200K COLOR

to better respect the circadian cycles of people and animals in urban, green and public spaces



RGBW VERSION



IN/OUT CONNECTION

Easy wiring with quick connectors designed to connect the profiles in a line



COLORADO 3 / 6
THE BRACKET WITH TWO PIVOT POINTS ALLOWS THE LIGHT OUTPUT TO BE PRECISELY DIRECTED



ACCESSORY BRACKETS CAN BE ADJUSTED TO DIRECT THE LIGHT OUTPUT AS DESIRED

The fixture can be spaced up to 10.6" from the installation surface to reach past protruding architectural elements, such as cornices, corbels or cordons, and direct the light output where it is needed

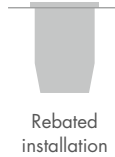
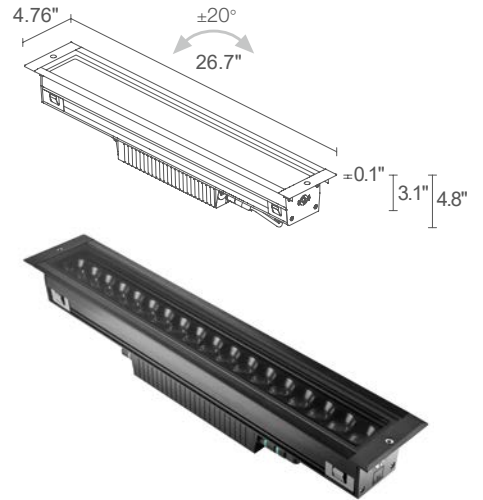


COLORADO 1 / 2 / 3 ANTI-GLARE ACCESSORIES. THE HONEYCOMB LOUVRE OR ANTI-GLARE SHIELD, WHICH CAN BE ORDERED AT THE SAME TIME AS THE FIXTURE, IS MOUNTED ON THE OPTICAL UNIT, SO THAT THE CHOSEN OPTION TILTS TOGETHER WITH THE OPTICS IN THE RECESSED VERSION



COLORADO 1 / 2 TILTING SYSTEM INSIDE THE OPTICAL UNIT

The light direction can be altered by +/- 20° externally with a simple adjustment on the end caps, without compromising the fixture's IP65/IP67 protection level.



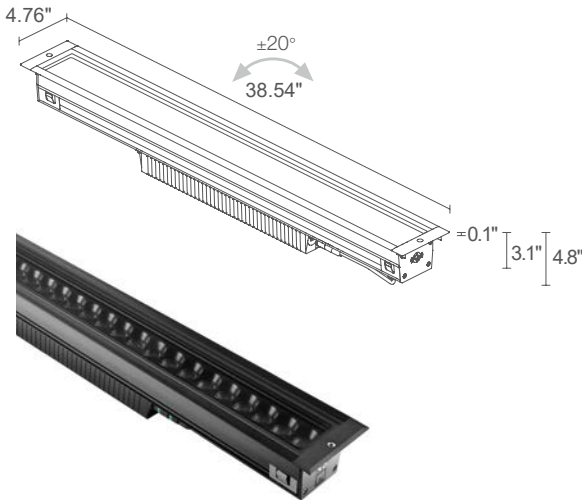
Rebated installation

COLORADO 1.0

4409 lbs
 kN 20
 12.35 lbs
 IP65 IP67 IK10
PID
 T max 40°C

POWER / MODEL CODE	41W 26.73" LED spacing 0.8" CA10100 ■ 0 ■ 0 ■ 0 ■ N Anodized black
CONTROL SYSTEM	0 - integral 0-10V dimming
OPTICAL ACCESSORIES	0 - none 1 - honeycomb louvre (not compatible with diffuse optics) 2 - anti-glare shield (not compatible with diffuse optics)
LED COLOR	N - 2200K F - 2700K 5 - 3000K 9 - 4000K
OPTICS	S - 12° tiltable ±20° M - 30° tiltable ±20° L - 45° tiltable ±20° K - 76° tiltable ±20° W - 15°x50° tiltable ±20° D - diffuse tiltable ±20°

LUMEN OUTPUT AT SOURCE	4950 lm (3000K)
DELIVERED LUMEN OUTPUT	3643 lm (3000K, 12°)
NO. AND TYPE OF LED	18 high-power LEDs, LED spacing 0.8", 2-step MacAdam, 60000h L80 B10 (Ta 25°C) 2200K: 3-step MacAdam, 60000h L80 B10 (Ta 25°C)
MATERIAL	body in black-anodized anti-corodal aluminum lens in grey-serigraphed and transparent, tempered extra-clear glass; lens in grey-serigraphed, acid-etched, tempered extra-clear glass (diffuse version) caps in technopolymer
POWER SUPPLY UNIT	integral 120-277VAC
MOUNTING	recessed (ground)
ACCESSORIES	see accessories page
FEATURES	optical accessories of honeycomb louvre and anti-glare shield built into the lighting fixture and tiltable together with the optics in/out connection and easy wiring with quick connectors designed to connect the profiles in a line
NOTES	Casambi-compatible version, controllable with the Casambi app, available on request



COLORADO 1.1

LED 4409 lbs 18.7 lbs IP65 IP67 IK10
 kN 20
 PID T max 40°C

62W 38.54" LED spacing 0.8"

CA11100 ■ **O** ■ **O** ■ **N** Anodized black

■	O - integral 0-10V dimming
■	O - none 1 - honeycomb louvre (not compatible with diffuse optics) 2 - anti-glare shield (not compatible with diffuse optics)
■	N - 2200K F - 2700K 5 - 3000K 9 - 4000K
■	S - 12° tiltable ±20° M - 30° tiltable ±20° L - 45° tiltable ±20° K - 76° tiltable ±20° W - 15°x50° tiltable ±20° D - diffuse tiltable ±20°

7425 lm (3000K)

5645 lm (3000K, 12°)

27 high-power LEDs, LED spacing 0.8", 2-step MacAdam, 60000h L80 B10 (Ta 25°C)
 2200K: 3-step MacAdam, 60000h L80 B10 (Ta 25°C)

body in black-anodized anticorrosion aluminum
 lens in grey-serigraphed and transparent, tempered extra-clear glass; lens in grey-serigraphed, acid-etched, tempered extra-clear glass (diffuse version)
 caps in technopolymer

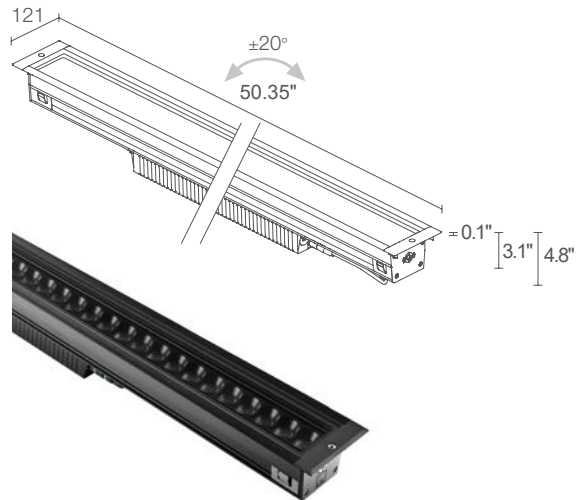
integral 120-277VAC

recessed (ground)

see accessories page

optical accessories of honeycomb louvre and anti-glare shield built into the lighting fixture and tiltable together with the optics
 in/out connection and easy wiring with quick connectors designed to connect the profiles in a line

Casambi-compatible version, controllable with the Casambi app, available on request



COLORADO 1.2

LED 4409 lbs 23.2 lbs IP65 IP67 IK10
 kN 20
 PID T max 40°C

83W 50.35" LED spacing 0.8"

CA12100 ■ **O** ■ **O** ■ **N** Anodized black

■	O - integral 0-10V dimming
■	O - none 1 - honeycomb louvre (not compatible with diffuse optics) 2 - anti-glare shield (not compatible with diffuse optics)
■	N - 2200K F - 2700K 5 - 3000K 9 - 4000K
■	S - 12° tiltable ±20° M - 30° tiltable ±20° L - 45° tiltable ±20° K - 76° tiltable ±20° W - 15°x50° tiltable ±20° D - diffuse tiltable ±20°

9900 lm (3000K)

7286 lm (3000K, 12°)

36 high-power LEDs, LED spacing 0.8", 2-step MacAdam, 60000h L80 B10 (Ta 25°C)
 2200K: 3-step MacAdam, 60000h L80 B10 (Ta 25°C)

body in black-anodized anticorrosion aluminum
 lens in grey-serigraphed and transparent, tempered extra-clear glass; lens in grey-serigraphed, acid-etched, tempered extra-clear glass (diffuse version)
 caps in technopolymer

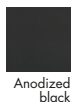
integral 120-277VAC

recessed (ground)

see accessories page

optical accessories of honeycomb louvre and anti-glare shield built into the lighting fixture and tiltable together with the optics
 in/out connection and easy wiring with quick connectors designed to connect the profiles in a line

Casambi-compatible version, controllable with the Casambi app, available on request

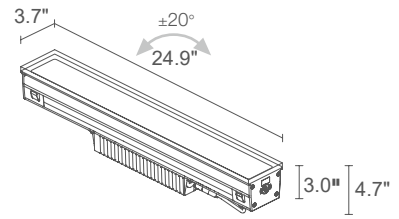


Anodized black

✓
COLORADO 2.0
 2200K, 41W, 12°



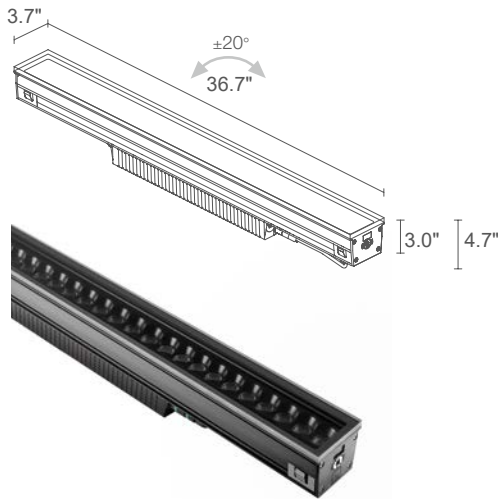
Installation flush
with ground



COLORADO 2.0

LED 3307 lbs kN 15 13.2 lbs IP65 IP67 IK10
 PID T max 40°C

POWER / MODEL CODE	41W 24.88" LED spacing 0.8" CA20100 ■ 0 ■ 0 ■ 0 ■ V
CONTROL SYSTEM	0 - integral 0-10V dimming
OPTICAL ACCESSORIES	0 - none 1 - honeycomb louvre (not compatible with diffuse optics) 2 - anti-glare shield (not compatible with diffuse optics)
LED COLOR	N - 2200K F - 2700K 5 - 3000K 9 - 4000K
OPTICS	S - 12° tiltable ±20° M - 30° tiltable ±20° L - 45° tiltable ±20° K - 76° tiltable ±20° W - 15°x50° tiltable ±20° D - diffuse tiltable ±20°
LUMEN OUTPUT AT SOURCE	4950 lm (3000K)
DELIVERED LUMEN OUTPUT	3643 lm (3000K, 12°)
NO. AND TYPE OF LED	18 high-power LEDs pitch 0.8", 2-step MacAdam, 60000h L80 B10 (Ta 25°C) 2200K: 3-step MacAdam, 60000h L80 B10 (Ta 25°C)
MATERIAL	body in black-anodized anticorodal aluminum lens in grey-serigraphed and transparent, tempered extra-clear glass; lens in grey-serigraphed, acid-etched, tempered extra-clear glass (diffuse version) caps in technopolymer
POWER SUPPLY UNIT	integral 120-277VAC
MOUNTING	recessed (ground)
ACCESSORIES	see accessories page
FEATURES	optical accessories of honeycomb louvre and anti-glare shield built into the lighting fixture and tiltable together with the optics in/out connection and easy wiring with quick connectors designed to connect the profiles in a line
NOTES	Casambi-compatible version, controllable with the Casambi app, available on request



COLORADO 2.1

3306 lbs
 15 18.96 lbs IP65 IP67 IK10
PID max 40°C

62W 36.69" LED spacing 0.8"
CA21100 ■ 0 ■ 0 ■ 0 ■ V

■	0 - integral 0-10V dimming
■	0 - none 1 - honeycomb louvre (not compatible with diffuse optics) 2 - anti-glare shield (not compatible with diffuse optics)
■	N - 2200K F - 2700K 5 - 3000K 9 - 4000K
■	S - 12° tiltable ±20° M - 30° tiltable ±20° L - 45° tiltable ±20° K - 76° tiltable ±20° W - 15°x50° tiltable ±20° D - diffuse tiltable ±20°

7425 lm (3000K)

5645 lm (3000K, 12°)

27 high-power LEDs, LED spacing 0.8", 2-step MacAdam, 60000h L80 B10 (Ta 25°C)
 2200K: 3-step MacAdam, 60000h L80 B10 (Ta 25°C)

body in black-anodized anticorrosional aluminum
 lens in grey-serigraphed and transparent, tempered
 extra-clear glass; lens in grey-serigraphed, acid-etched,
 tempered extra-clear glass (diffuse version)
 caps in technopolymer

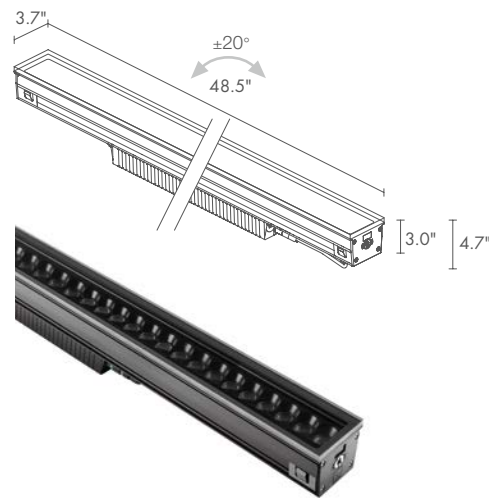
integral 120-277VAC

recessed (ground)

see accessories page

optical accessories of honeycomb louvre and anti-glare
 shield built into the lighting fixture and tiltable together
 with the optics
 in/out connection and easy wiring with quick connectors
 designed to connect the profiles in a line

Casambi-compatible version, controllable
 with the Casambi app, available on request



COLORADO 2.2

3307 lbs
 15 23.37 lbs IP65 IP67 IK10
PID max 40°C

83W 48.50" LED spacing 0.8"
CA22100 ■ 0 ■ 0 ■ 0 ■ V

■	0 - integral 0-10V dimming
■	0 - none 1 - honeycomb louvre (not compatible with diffuse optics) 2 - anti-glare shield (not compatible with diffuse optics)
■	N - 2200K F - 2700K 5 - 3000K 9 - 4000K
■	S - 12° tiltable ±20° M - 30° tiltable ±20° L - 45° tiltable ±20° K - 76° tiltable ±20° W - 15°x50° tiltable ±20° D - diffuse tiltable ±20°

9900 lm (3000K)

7286 lm (3000K, 12°)

36 high-power LEDs, LED spacing 0.8", 2-step MacAdam, 60000h L80 B10 (Ta 25°C)
 2200K: 3-step MacAdam, 60000h L80 B10 (Ta 25°C)

body in black-anodized anticorrosional aluminum
 lens in grey-serigraphed and transparent, tempered
 extra-clear glass; lens in grey-serigraphed, acid-etched,
 tempered extra-clear glass (diffuse version)
 caps in technopolymer

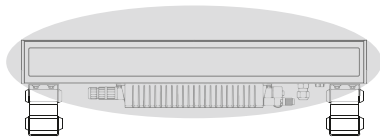
Integral 120-277VAC

recessed (ground)

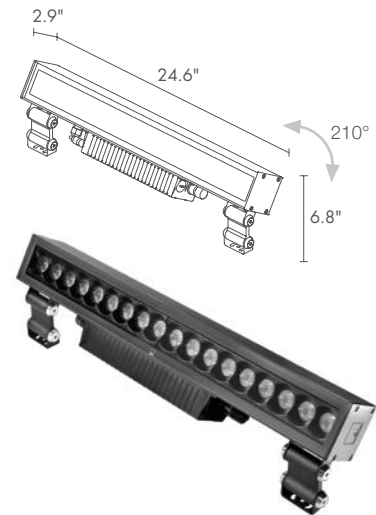
see accessories page

optical accessories of honeycomb louvre and anti-glare
 shield built into the lighting fixture and tiltable together
 with the optics
 in/out connection and easy wiring with quick connectors
 designed to connect the profiles in a line

Casambi-compatible version, controllable
 with the Casambi app, available on request



15°x50° optics



COLORADO 3.0

LED 12.8 lbs IP65 IP67 IK09
 PID

POWER / MODEL CODE 41W 24.61" LED Spacing 0.8"
CA30100 ■ 0 ■ 1 ■ 2 ■ N Black

■ **CONTROL SYSTEM** 0 - integral 0-10V dimming

■ **OPTICAL ACCESSORIES** 0 - none
 1 - honeycomb louvre (not compatible with diffuse optics)
 2 - anti-glare shield (not compatible with diffuse optics)

■ **LED COLOR** N - 2200K
 F - 2700K
 5 - 3000K
 9 - 4000K

■ **OPTICS** S - 12°
 M - 30°
 L - 45°
 K - 76°
 W - 15°x50°
 D - diffuse

LUMEN OUTPUT AT SOURCE 4950 lm (3000K)

DELIVERED LUMEN OUTPUT 3643 lm (3000K, 12°)

NO. AND TYPE OF LED 18 high-power LEDs, LED Spacing 0.8", 2-step MacAdam, 60000h L80 B10 (Ta 25°C)
 2200K: 3-step MacAdam, 60000h L80 B10 (Ta 25°C)

MATERIAL body in anticorodal aluminum, bracket in stainless steel
 lens in grey-serigraphed and transparent, tempered extra-clear glass; lens in grey-serigraphed, acid-etched, tempered extra-clear glass (diffuse version)
 caps in technopolymer

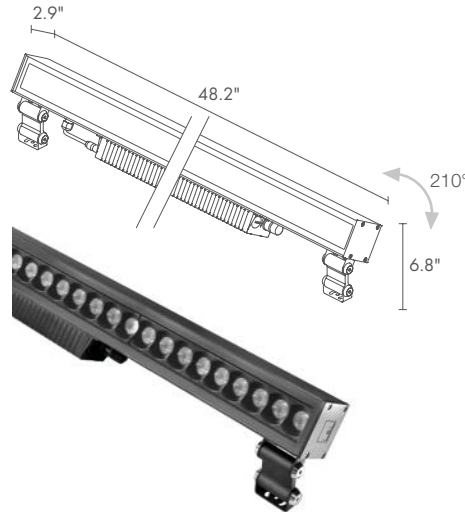
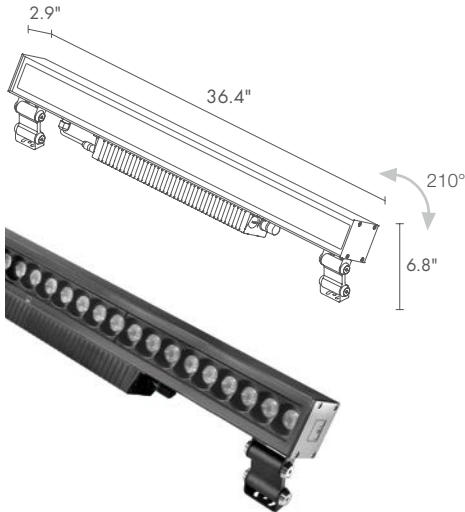
POWER SUPPLY UNIT integral 120-277VAC

MOUNTING surface mounted (ceiling, wall, ground)

ACCESSORIES see accessories page

FEATURES optical accessories of honeycomb louvre and anti-glare shield built into the lighting fixture
 two brackets with two pivot points for accurate adjustment

NOTES Casambi-compatible version, controllable with the Casambi app, available on request



COLORADO 3.1

COLORADO 3.2

LED 18.3 lbs IP65 IP67 IK09
PID

LED 22.1 lbs IP65 IP67 IK09
PID

62W 36.42" LED Spacing 0.8"
CA31100 ■ **O** ■ **O** ■ **N** Black

83W 48.23" LED Spacing 0.8"
CA32100 ■ **O** ■ **O** ■ **N** Black

■	O - integral 0-10V dimming
■	O - none 1 - honeycomb louvre (not compatible with diffuse optics) 2 - anti-glare shield (not compatible with diffuse optics)
■	N - 2200K F - 2700K 5 - 3000K 9 - 4000K
■	S - 12° M - 30° L - 45° K - 76° W - 15°x50° D - diffuse

■	O - integral 0-10V dimming
■	O - none 1 - honeycomb louvre (not compatible with diffuse optics) 2 - anti-glare shield (not compatible with diffuse optics)
■	N - 2200K F - 2700K 5 - 3000K 9 - 4000K
■	S - 12° M - 30° L - 45° K - 76° W - 15°x50° D - diffuse

7425 lm (3000K)

9900 lm (3000K)

5645 lm (3000K, 12°)

7286 lm (3000K, 12°)

27 high-power LEDs, LED Spacing 0.8", 2-step MacAdam, 60000h L80 B10 (Ta 25°C)
 2200K: 3-step MacAdam, 60000h L80 B10 (Ta 25°C)

36 high-power LEDs, LED Spacing 0.8", 2-step MacAdam, 60000h L80 B10 (Ta 25°C)
 2200K: 3-step MacAdam, 60000h L80 B10 (Ta 25°C)

body in anticorodal aluminum, bracket in stainless steel
 lens in grey-serigraphed and transparent, tempered extra-clear glass; lens in grey-serigraphed, acid-etched, tempered extra-clear glass (diffuse version)
 caps in technopolymer

body in anticorodal aluminum, bracket in stainless steel
 lens in grey-serigraphed and transparent, tempered extra-clear glass; lens in grey-serigraphed, acid-etched, tempered extra-clear glass (diffuse version)
 caps in technopolymer

integral 120-277VAC

integral 120-277VAC

surface mounted (ceiling, wall, ground)

surface mounted (ceiling, wall, ground)

see accessories page

see accessories page

optical accessories of honeycomb louvre and anti-glare shield built into the lighting fixture
 two brackets with two pivot points for accurate adjustment

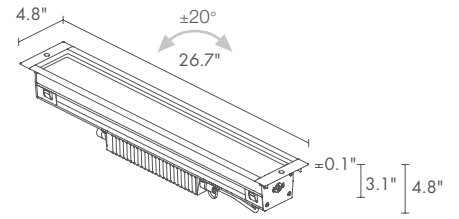
optical accessories of honeycomb louvre and anti-glare shield built into the lighting fixture
 two brackets with two pivot points for accurate adjustment

Casambi-compatible version, controllable with the Casambi app, available on request

Casambi-compatible version, controllable with the Casambi app, available on request



Black



Rebated
installation



COLORADO 4.0



POWER / MODEL CODE 43W 26.73" LED Spacing 0.8"
CA4010040070 ■ N Anodized black

OPTICS
S - 15° tiltable ±20°
M - 25° tiltable ±20°
L - 37° tiltable ±20°
W - 13°x65° tiltable ±20°

LED COLOR RGBW

LUMEN OUTPUT AT SOURCE R: 1337 lm G: 2880 lm B: 350 lm W: 2469 lm (3000K)

DELIVERED LUMEN OUTPUT 2547 lm
R: 852 lm G: 1526 lm B: 360 lm W: 1836 lm (3000K, 15°)

NO. AND TYPE OF LED 12 multicolor high-intensity power LEDs spacing 0.8" 60000h L80 B10 (Ta 25° C)

MATERIAL body in black-anodized anticorrosional aluminum
lens in grey-serigraphed and transparent,
tempered extra-clear glass
caps in technopolymer

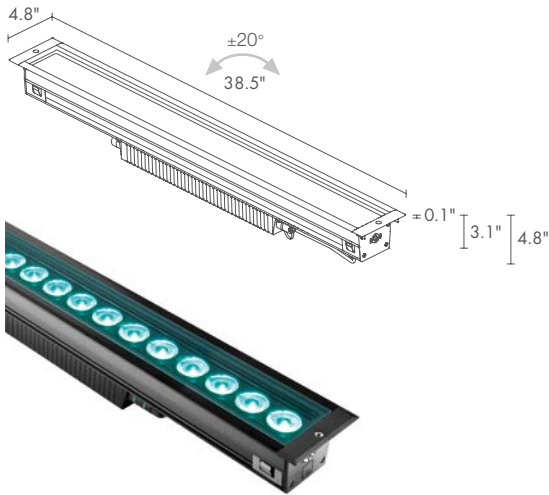
POWER SUPPLY UNIT integral 120-277VAC

MOUNTING recessed (ground)

ACCESSORIES see accessories page

FEATURES in/out connection and easy wiring with quick connectors designed to connect the profiles in a line

NOTES Casambi-compatible version, controllable with the Casambi app, available on request



COLORADO 4.1





 4409 lbs
kN 20
 
 18.7 lbs
 IP65 IP67 IK10 DMX RDM


PID

 T max 40°C

64W 38.5" LED Spacing 0.8"
CA4110040070 ■ **N** Anodized black

■ **S** - 15° tiltable ±20°
M - 25° tiltable ±20°
L - 37° tiltable ±20°
W - 13°x65° tiltable ±20°

RGBW

R: 2003 lm G: 4320 lm B: 525 lm W: 3703 lm (3000K)

3820 lm
 R: 2003 lm G: 4320 lm B: 525 lm W: 3703 lm (3000K, 15°)

18 multicolor high-intensity power LEDs, LED Spacing 0.8" 60000h L80 B10 (T_a 25° C)

body in black-anodized anticorrosional aluminum
 lens in grey-serigraphed and transparent,
 tempered extra-clear glass
 caps in technopolymer

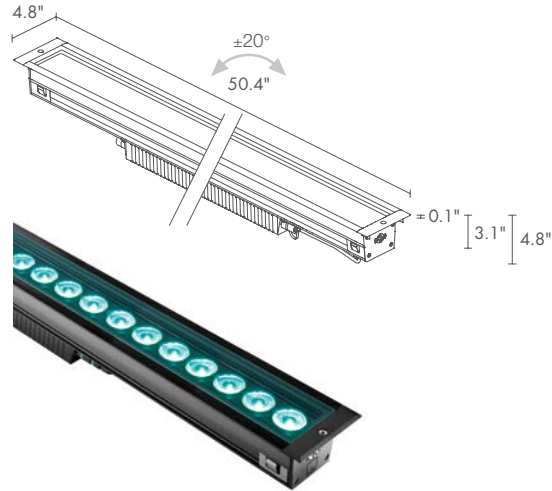
integral 120-277VAC

recessed (ground)

see accessories page

in/out connection and easy wiring with quick connectors designed to connect the profiles in a line

Casambi-compatible version, controllable with the Casambi app, available on request



COLORADO 4.2





 4409 lbs
kN 20
 
 23.15 lbs
 IP65 IP67 IK10 DMX RDM


PID

 T max 40°C

85W 50.35" LED spacing 0.8"
CA4210040070 ■ **N** Anodized black

■ **S** - 15° tiltable ±20°
M - 25° tiltable ±20°
L - 37° tiltable ±20°
W - 13°x65° tiltable ±20°

RGBW

R: 2674 lm G: 5760 lm B: 700 lm W: 4967 lm (3000K)

5104 lm
 R: 2674 lm G: 5760 lm B: 700 lm W: 4967 lm (3000K, 15°)

24 multicolor high-intensity power LEDs, LED spacing 0.8" 60000h L80 B10 (T_a 25° C)

body in black-anodized anticorrosional aluminum
 lens in grey-serigraphed and transparent,
 tempered extra-clear glass
 caps in technopolymer

integral 120-277VAC

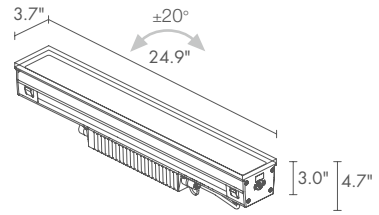
recessed (ground)

see accessories page

in/out connection and easy wiring with quick connectors designed to connect the profiles in a line

Casambi-compatible version, controllable with the Casambi app, available on request





Installation flush
with ground



COLORADO 5.0



IP65 IP67 IK10 DMX RDM

PID T max 40°C

POWER / MODEL CODE 43W 24.88" LED Spacing 0.8"
CA5010040070 ■ V

OPTICS
S - 15° tiltable ±20°
M - 25° tiltable ±20°
L - 37° tiltable ±20°
W - 13°x65° tiltable ±20°

LED COLOR RGBW

LUMEN OUTPUT AT SOURCE R: 1337 lm G: 2880 lm B: 350 lm W: 2469 lm (3000K)

DELIVERED LUMEN OUTPUT 2547 lm
R: 852 lm G: 1526 lm B: 360 lm W: 1836 lm (3000K, 15°)

NO. AND TYPE OF LED 12 multicolor high-intensity power LEDs, LED spacing 0.8" 60000h L80 B10 (Ta 25° C)

MATERIAL body in black-anodized anticorrosional aluminum
lens in grey-serigraphed and transparent, tempered extra-clear glass
caps in technopolymer

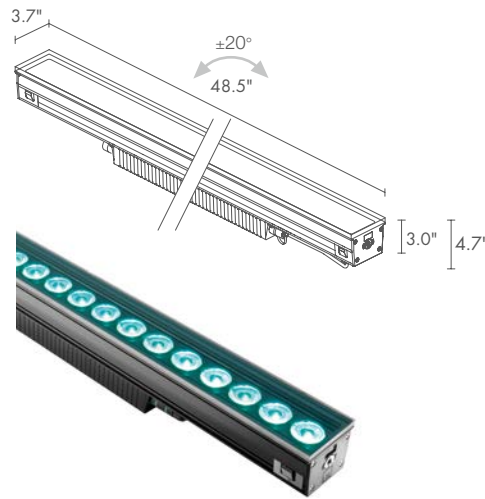
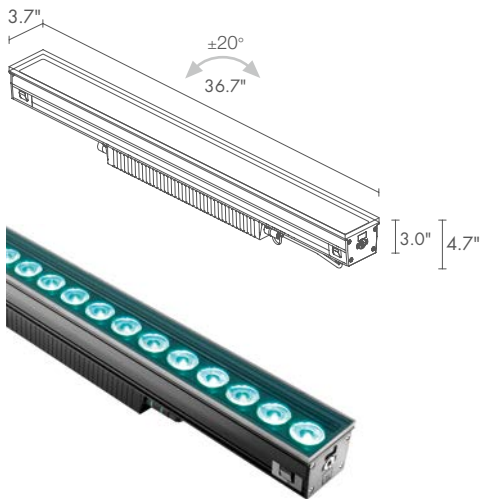
POWER SUPPLY UNIT integral 120-277VAC

MOUNTING recessed (ground)

ACCESSORIES see accessories page

FEATURES in/out connection and easy wiring with quick connectors designed to connect the profiles in a line

NOTES Casambi-compatible version, controllable with the Casambi app, available on request



COLORADO 5.1

64W 36.69" LED Spacing 0.8"
CA5110040070 ■ V

S - 15° tiltable ±20°
M - 25° tiltable ±20°
L - 37° tiltable ±20°
W - 13°x65° tiltable ±20°

RGBW

R: 2003 lm G: 4320 lm B: 525 lm W: 3703 lm (3000K)

3820 lm
 R: 2003 lm G: 4320 lm B: 525 lm W: 3703 lm (3000K, 15°)

18 multicolor high-intensity power LEDs, LED Spacing 0.8" 60000h L80 B10 (T_a 25° C)

body in black-anodized anticorrosional aluminum
 lens in grey-serigraphed and transparent,
 tempered extra-clear glass
 caps in technopolymer

integral 120-277VAC

recessed (ground)

see accessories page

in/out connection and easy wiring with quick connectors designed to connect the profiles in a line

Casambi-compatible version, controllable with the Casambi app, available on request

COLORADO 5.2

85W 48.50" LED Spacing 0.8"
CA5210040070 ■ V

S - 15° tiltable ±20°
M - 25° tiltable ±20°
L - 37° tiltable ±20°
W - 13°x65° tiltable ±20°

RGBW

R: 2674 lm G: 5760 lm B: 700 lm W: 4967 lm (3000K)

5104 lm
 R: 2674 lm G: 5760 lm B: 700 lm W: 4967 lm (3000K, 15°)

24 multicolor high-intensity power LEDs, LED Spacing 0.8" 60000h L80 B10 (T_a 25° C)

body in black-anodized anticorrosional aluminum
 lens in grey-serigraphed and transparent,
 tempered extra-clear glass
 caps in technopolymer

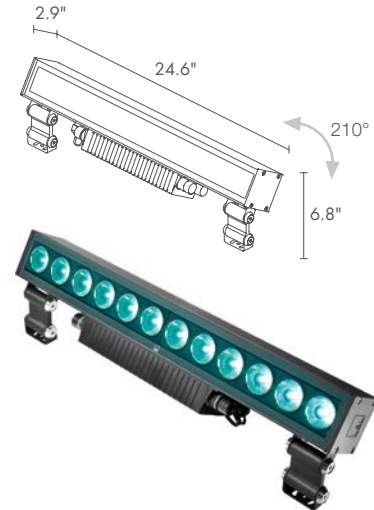
integral 120-277VAC

recessed (ground)

see accessories page


in/out connection and easy wiring with quick connectors designed to connect the profiles in a line

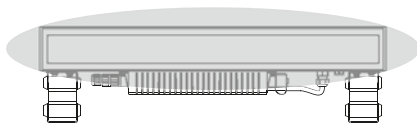
Casambi-compatible version, controllable with the Casambi app, available on request



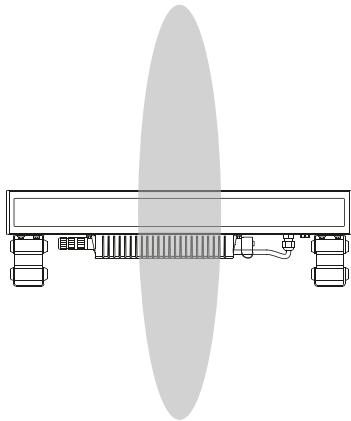
COLORADO 6.0




 12.8 lbs
 IP65 IP67 IK09 DMX RDM
 



13°x65° optics



65°x13° optics

POWER / MODEL CODE	43W 24.61" LED Spacing 0.8" CA6010040070 ■ N Black
OPTICS	S - 15° M - 25° L - 37° W - 13°x65° X - 65°x13°
LED COLOR	RGBW
LUMEN OUTPUT AT SOURCE	R: 1337 lm G: 2880 lm B: 350 lm W: 2469 lm (3000K)
DELIVERED LUMEN OUTPUT	2547 lm R: 852 lm G: 1526 lm B: 360 lm W: 1836 lm (3000K, 15°)
NO. AND TYPE OF LED	12 multicolor high-intensity power LEDs, LED Spacing 0.8" 60000h L80 B10 (Ta 25° C)
MATERIAL	body in anticorrosional aluminum, bracket in stainless steel lens in grey-serigraphed and transparent, tempered extra-clear glass caps in technopolymer
POWER SUPPLY UNIT	integral 120-277VAC
MOUNTING	surface mounted (ceiling, wall, ground)
ACCESSORIES	see accessories page
FEATURES	two brackets with two pivot points for accurate adjustment
NOTES	Casambi-compatible version, controllable with the Casambi app, available on request



COLORADO 6.1




 18.30 lbs
 IP65 IP67 IK09 DMX RDM
 

64W 36.42" LED spacing 0.8"
CA6110040070 ■ **N** Black

S - 15°
M - 25°
L - 37°
W - 13°x65°
X - 65°x13°

RGBW

R: 2003 lm G: 4320 lm B: 525 lm W: 3703 lm (3000K)

3820 lm
 R: 2003 lm G: 4320 lm B: 525 lm W: 3703 lm (3000K, 15°)

18 multicolor high-intensity power LEDs, LED spacing 0.8" 60000h L80 B10 (Ta 25° C)

body in anticorodal aluminum, bracket in stainless steel
 lens in grey-serigraphed and transparent, tempered extra-clear glass
 caps in technopolymer

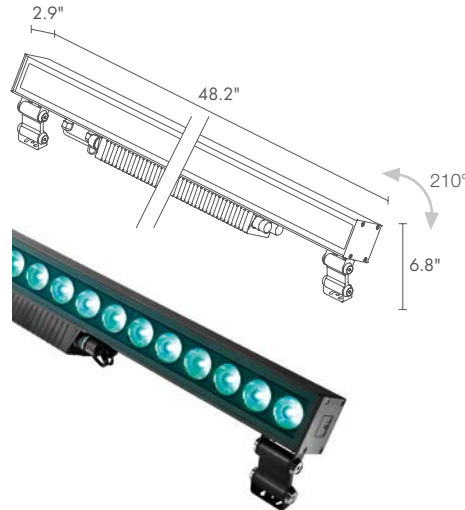
integral 120-277VAC

surface mounted (ceiling, wall, ground)


see accessories page



two brackets with two pivot points for accurate adjustment

Casambi-compatible version, controllable with the Casambi app, available on request



COLORADO 6.2




 22.05 lbs
 IP65 IP67 IK09 DMX RDM
 

85W 48.23" LED Spacing 0.8"
CA6210040070 ■ **N** Black

S - 15°
M - 25°
L - 37°
W - 13°x65°
X - 65°x13°

RGBW

R: 2674 lm G: 5760 lm B: 700 lm W: 4967 lm (3000K)

5104 lm
 R: 2674 lm G: 5760 lm B: 700 lm W: 4967 lm (3000K, 15°)

24 multicolor high-intensity power LEDs, LED spacing 0.8" 60000h L80 B10 (Ta 25° C)

body in anticorodal aluminium, bracket in stainless steel
 screen in grey-serigraphed and transparent, tempered extra-clear glass
 caps in technopolymer

integral 120-277VAC

surface mounted (ceiling, wall, ground)

see accessories page

two brackets with two pivot points for accurate adjustment

Casambi-compatible version, controllable with the Casambi app, available on request



**ACCESSORIES
FOR INSTALLATION**



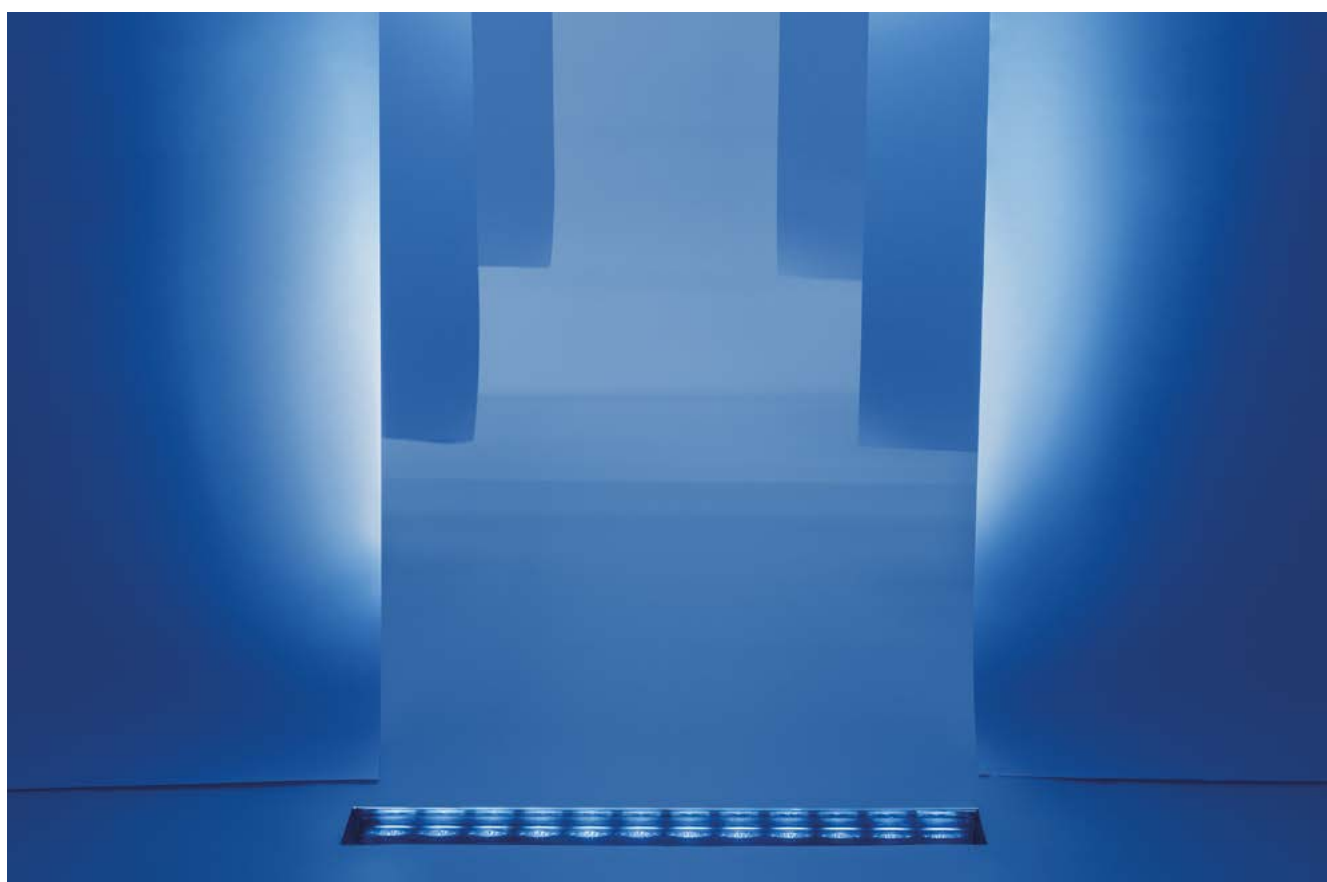
Outer casing



Outer casing

COLORADO 1.0	WCCA10A0T - 26.32"
COLORADO 1.1	WCCA11A0T - 38.13"
COLORADO 1.2	WCCA12A0T - 49.94"
COLORADO 2.0	WCCA20A0F - 25.06"
COLORADO 2.1	WCCA21A0F - 36.87"
COLORADO 2.2	WCCA22A0F - 48.68"
COLORADO 4.0	WCCA10A0T - 26.32"
COLORADO 4.1	WCCA11A0T - 38.13"
COLORADO 4.2	WCCA12A0T - 49.94"
COLORADO 5.0	WCCA20A0F - 25.06"
COLORADO 5.1	WCCA21A0F - 36.87"
COLORADO 5.2	WCCA22A0F - 48.68"

∨
COLORADO 5.0
 RGBW, 43W, 37°



ACCESSORIES

ACCESSORIES FOR INSTALLATION



WMA04N
Brackets adjustable from 0 to 5.9"
(Colorado 3 / 6)



WFA01
4-pin male connect
for IP68 in/out connection
(0/1-10V or DALI version)



WFA05
5-pin male connector
for IP68 in/out connection



WFA0005
5-m, 4-pin interconnect cab
for DALI or 0/1-10V version
(Colorado 1 / 2 / 3)



WFA0001
4.92 foot, 3-pin interconnect
cable for DMX version
(Colorado 4 / 5 / 6)



WFA0101
1.5-m, 4-pin interconnect cable
for DALI or 0/1-10V version
(Colorado 1 / 2 / 3)



WFA0105
16.4 foot, 3-pin interconnect
cable for DMX signal
(Colorado 4 / 5 / 6)



WFA0201
16.40 foot, 5-pin interconnect cable
(Colorado 1 / 2 / 3)



WFA0205
16.40 foot, 5-pin interconnect cable
(Colorado 1 / 2 / 3)

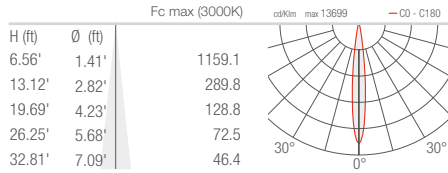


OUTDOOR LINEAR PROFILES

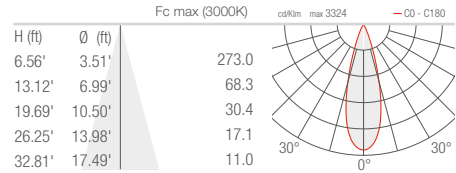
COLORADO 1.0

2.0
3.0

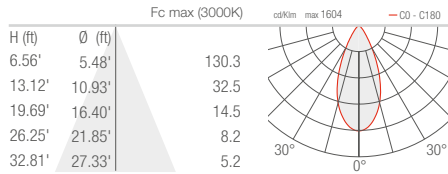
S - 12° CRI 80



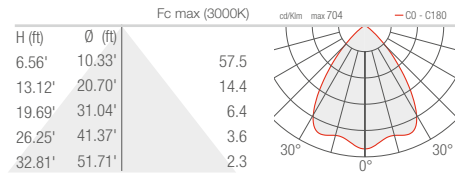
M - 30° CRI 80



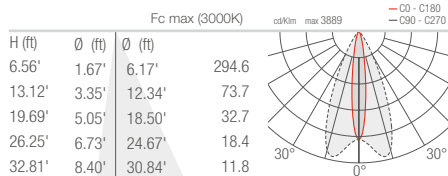
L - 45° CRI 80



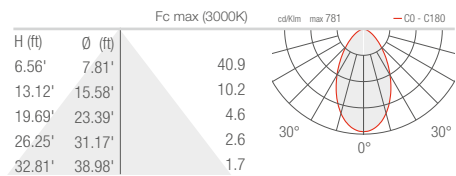
K - 76° CRI 80



W - 15°x50° CRI 80



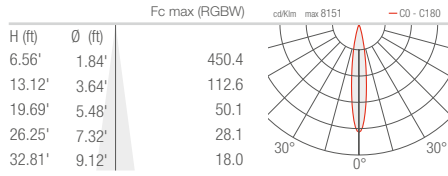
D - Diffuse CRI 80



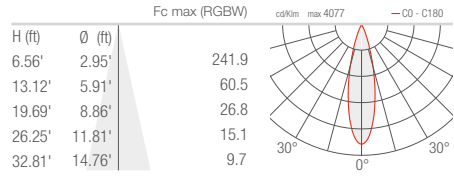
COLORADO 4.0

5.0
6.0

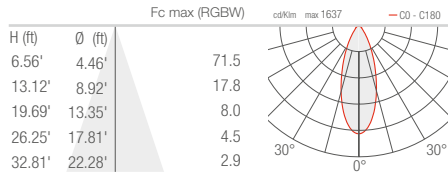
S - 15°



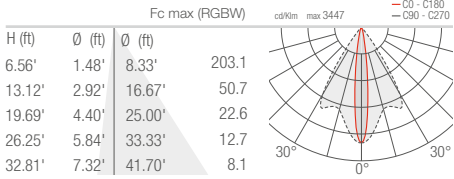
M - 25°



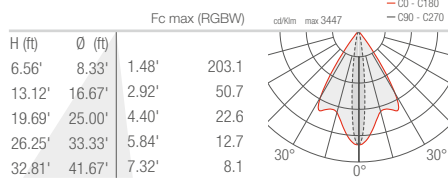
L - 37°



W - 13°x65°



X - 65°x13° (Colorado 6.0)



D - Diffuse

