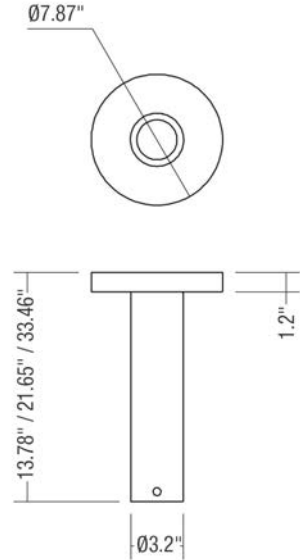


## Solisia 200 | 13W | diffuse | Bollards

13.78"

### Technical Specifications

|                              |  |
|------------------------------|--|
| Source lamp                  | LED 13W  |
| Total wattage                | 13W  |
| Voltage                      | 24VDC - 50/60 Hz                                   |
| Control                      | On/Off   |
| Luminous flux (*Source flux) | 1098 lm (1831 lm*) @ 3000K                         |
| Luminous efficacy            | 55 lm/W @ 3000K                                    |
| McADAM steps                 | 3  |
| Beam                         | diffuse  |
| CRI                          | >90  |
| Life time                    | L 70 > 50.000 h Ta 25°C<br>L 70 > 50.000 h Ta 40°C |
| IP rating                    | 65   |
| IK rating                    | 8  |



### Materials

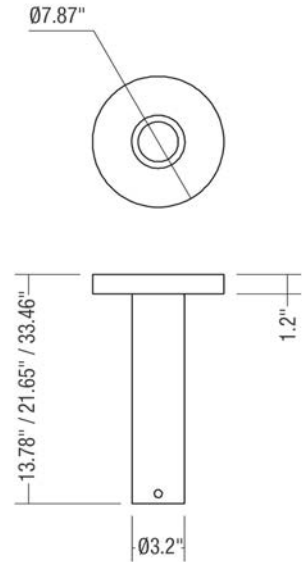
|           |                                 |
|-----------|---------------------------------|
| Body      | Accoya® wood and inox AISI 316L |
| Diffuser  | Opal polycarbonate              |
| Finishing | Accoya® - Acetylation treatment |

## Solisia 200 | 13W | diffuse | Bollards

21.65"

### Technical Specifications

|                              |  |
|------------------------------|--|
| Source lamp                  | LED 13W  |
| Total wattage                | 13W  |
| Voltage                      | 24VDC - 50/60 Hz                                   |
| Control                      | On/Off   |
| Luminous flux (*Source flux) | 1098 lm (1831 lm*) @ 3000K                         |
| Luminous efficacy            | 55 lm/W @ 3000K                                    |
| McADAM steps                 | 3  |
| Beam                         | diffuse  |
| CRI                          | >90  |
| Life time                    | L 70 > 50.000 h Ta 25°C<br>L 70 > 50.000 h Ta 40°C |
| IP rating                    | 65   |
| IK rating                    | 8  |



### Materials

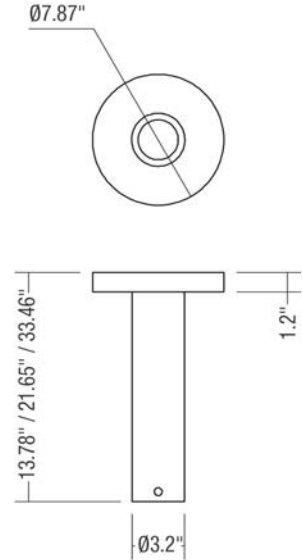
|           |                                 |
|-----------|---------------------------------|
| Body      | Accoya® wood and inox AISI 316L |
| Diffuser  | Opal polycarbonate              |
| Finishing | Accoya® - Acetylation treatment |

## Solisia 200 | 13W | diffuse | Bollards

33.46"

### Technical Specifications

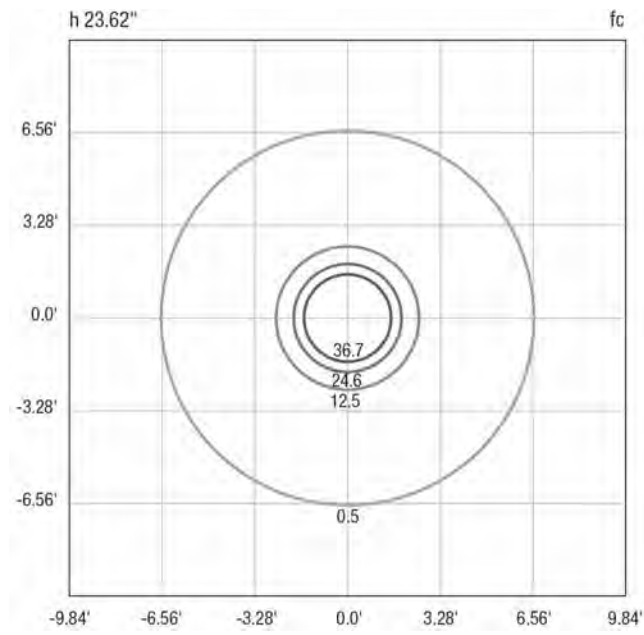
|                              |  |
|------------------------------|--|
| Source lamp                  | LED 13W  |
| Total wattage                | 13W  |
| Voltage                      | 24VDC - 50/60 Hz                                   |
| Control                      | On/Off   |
| Luminous flux (*Source flux) | 1098 lm (1831 lm*) @ 3000K                         |
| Luminous efficacy            | 55 lm/W @ 3000K                                    |
| McADAM steps                 | 3  |
| Beam                         | diffuse  |
| CRI                          | >90  |
| Life time                    | L 70 > 50.000 h Ta 25°C<br>L 70 > 50.000 h Ta 40°C |
| IP rating                    | 65   |
| IK rating                    | 8  |



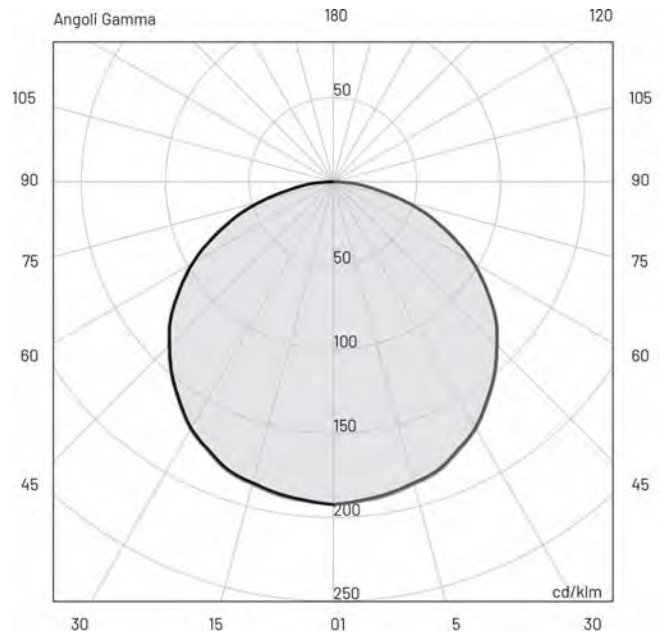
### Materials

|           |                                 |
|-----------|---------------------------------|
| Body      | Accoya® wood and inox AISI 316L |
| Diffuser  | Opal polycarbonate              |
| Finishing | Accoya® - Acetylation treatment |

## Isoplot



## Photometry



## Included accessories

- Root mounting kit
- Single connection IP68

designplan® 