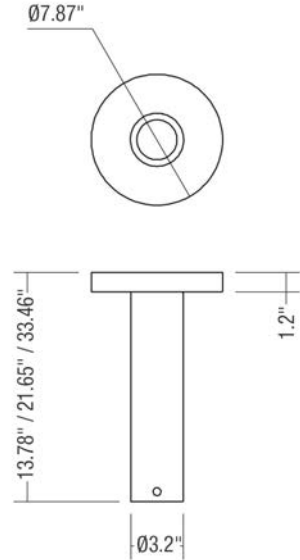


Solisia 200 | 13W | diffuse | Bollards

13.78"

Technical Specifications

Source lamp	LED 13W
Total wattage	13W
Voltage	xxx VAC - 50/60 Hz
Control	On/Off
Luminous flux (*Source flux)	1098 lm (1831 lm*) @ 3000K
Luminous efficacy	55 lm/W @ 3000K
McADAM steps	3
Beam	diffuse
CRI	>90
Life time	L 70 > 50.000 h Ta 25°C L 70 > 50.000 h Ta 40°C
IP rating	65
IK rating	8



Materials

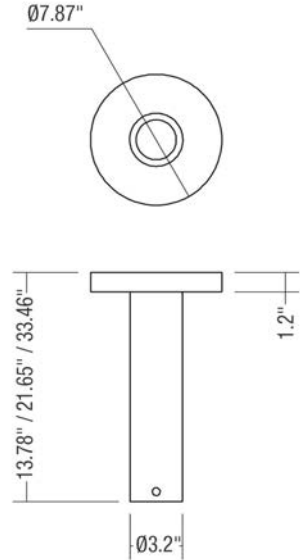
Body	Accoya® wood and inox AISI 316L
Diffuser	Opal polycarbonate
Finishing	Accoya® - Acetylation treatment

Solisia 200 | 13W | diffuse | Bollards

21.65"

Technical Specifications

Source lamp	LED 13W
Total wattage	13W
Voltage	xxx VAC - 50/60 Hz
Control	On/Off
Luminous flux (*Source flux)	1098 lm (1831 lm*) @ 3000K
Luminous efficacy	55 lm/W @ 3000K
McADAM steps	3
Beam	diffuse
CRI	>90
Life time	L 70 > 50.000 h Ta 25°C L 70 > 50.000 h Ta 40°C
IP rating	65
IK rating	8



Materials

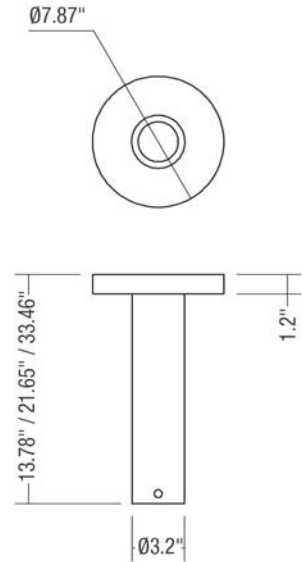
Body	Accoya® wood and inox AISI 316L
Diffuser	Opal polycarbonate
Finishing	Accoya® - Acetylation treatment

Solisia 200 | 13W | diffuse | Bollards

33.46"

Technical Specifications

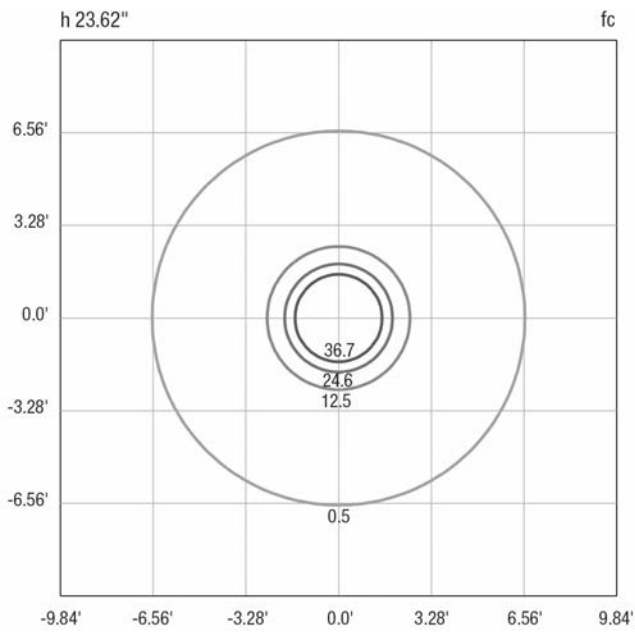
Source lamp	LED 13W
Total wattage	13W
Voltage	xxx VAC - 50/60 Hz
Control	On/Off
Luminous flux (*Source flux)	1098 lm (1831 lm*) @ 3000K
Luminous efficacy	55 lm/W @ 3000K
McADAM steps	3
Beam	diffuse
CRI	>90
Life time	L 70 > 50.000 h Ta 25°C L 70 > 50.000 h Ta 40°C
IP rating	65
IK rating	8



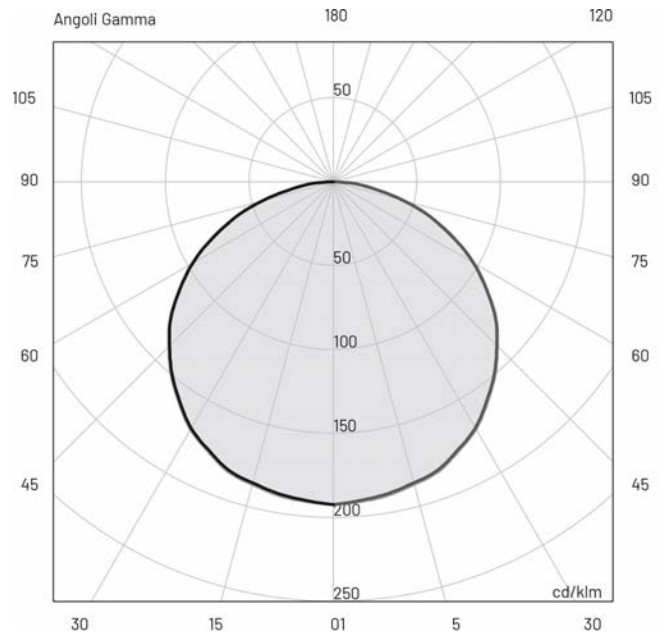
Materials

Body	Accoya® wood and inox AISI 316L
Diffuser	Opal polycarbonate
Finishing	Accoya® - Acetylation treatment

Isoplot



Photometry



Included accessories

- Root mounting kit
- Single connection IP68

designplan™ 