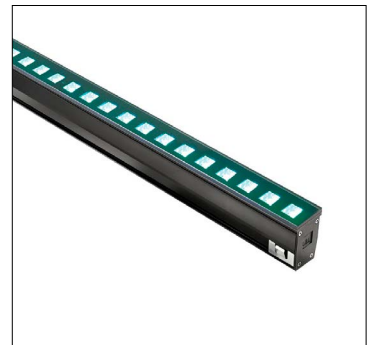
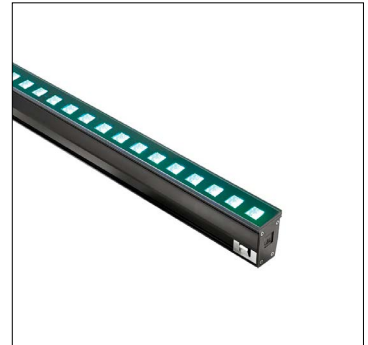


TAGO 5.0, 5.1, 5.3

Tago is a linear profile suitable for architectural lighting of facades of historic and public buildings, hotels and residential exteriors. Each is available in 3 lengths with a wide range of optics and color temperatures. Tago 5 series is recessed RGBW version without trim for floors, ceilings and walls, that comes with Integral DMX512 decoder with RDM. Requires a DMX/RDM controller provided by others.



TECHNICAL DATA

Wattage / Input	14W, 24W, 49W (48VDC)
Power Supply	Integral 120-277VAC Comes with Integral DMX512 Decoder with RDM Requires a DMX/RDM Controller (by others)
Construction	Body: Black, Anodized, Anticorodal Aluminum Caps: Technopolymer Lens: Tempered Extra-Clear Glass Cable Length: 4.92'
CCT	RGBW
CRI	—
BUG Rating	B1-U1-G0 (Tago 5.0 - 30°) B2-U1-G0 (Tago 5.1 - 30°) B3-U1-G0 (Tago 5.3 - 30°)
Delivered Lumens	See Chart on page 2
Efficacy	See Chart on page 2
Optics	24°, 30°, 52°
Finishes	No Trim Visible, Anodized Black Body (4 Stage Marine Grade Finish)
Fixture Dimensions	See Chart on page 2
Fixture Weight	See Chart on page 2
LED Source	See Chart on page 2
Lumen Maintenance	L80, B10>60,000hrs
Operating Temp.	-4°F to +113°F
IP Rating	IP65, IP67, IP69
Impact Rating	IK09

ORDERING INFORMATION

Example: TG5030040070SV. Accessories ordered separately.

	04	00	70		V
Model No.	Control System	Accessories	CCT	Optics	Color
TG5030 - Tago 5.0 (14W)	04 - DMX512+RDM	00 - None	70 - RGBW	S - 24°	V - No Trim
TG5130 - Tago 5.1 (24W)				M - 30°	
TG5330 - Tago 5.3 (49W)				L - 52°	

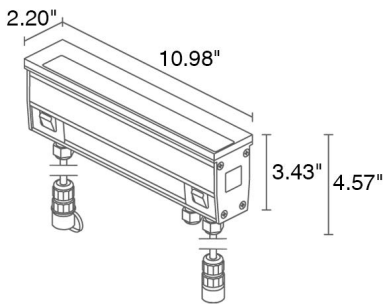
Job Name/Date:

Fixture Type Designation:

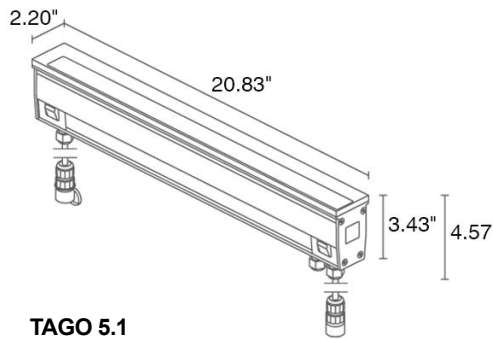
TECHNICAL DATA

	TAGO 5.0	TAGO 5.1	TAGO 5.3
Wattage	14W	24W	49W
Delivered Lumens (3000K)	1374 lm - R: 90 lm G: 660 lm B: 132 lm W: 492 lm (4000K, 24°)	2748 lm - R: 180 lm G: 1320 lm B: 264 lm W: 984 lm (4000K, 24°)	5496 lm - R: 360 lm G: 2640 lm B: 528 lm W: 1968 lm (4000K, 24°)
Efficacy	98.1 lm/W	114.5 lm/W	112.2 lm/W
Fixture Dim. (l,w,h)	10.98" x 2.20" x 4.57"	20.83" x 2.20" x 4.57"	40.51" x 2.20" x 4.57"
Fixture Weight	4.6 lbs	6.6 lbs	10.8 lbs
LED Source	24 power LEDs, spacing 1.64"	48 power LEDs, spacing 1.64"	96 power LEDs, spacing 1.64"

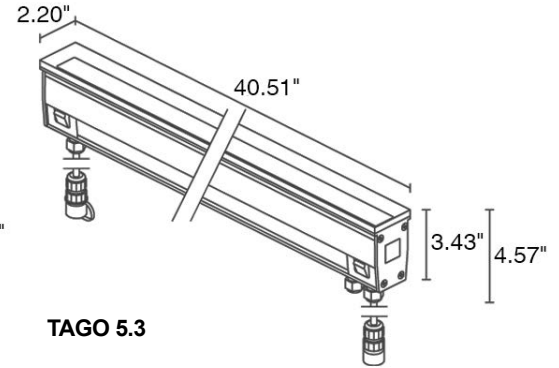
FIXTURE DIMENSIONS



TAGO 5.0



TAGO 5.1

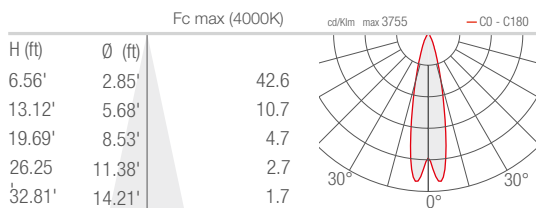


TAGO 5.3

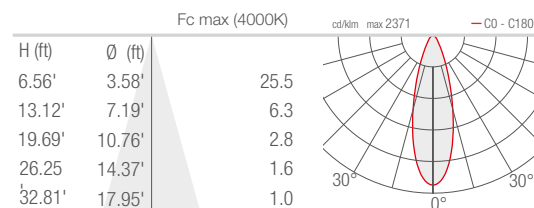
PHOTOMETRIC DATA

Note: all Photometry is 3000K

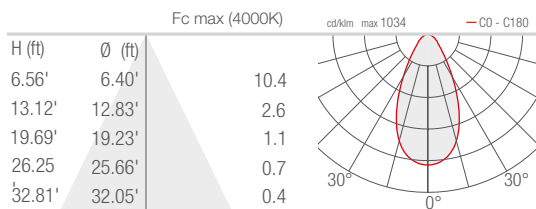
S - 24°



M - 30°



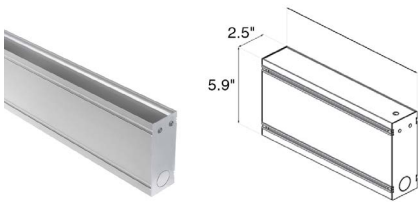
L - 52°



Job Name/Date:

Fixture Type Designation:

ACCESSORIES - Installation



WCTG20A0F - Tago 5.0 (11.14")
WCTG21A0F - Tago 5.1 (20.98")
WCTG23A0F - Tago 5.3 (40.67")
Outer Casing

Spare Parts



WN6005
Alignment Kit for Outer Casing



WN6006
Pair of extractors
for outer casings

Wiring Materials



WFA0105
16.40' 3-pin Interconnect Cable
*required when daisy-chaining fixtures
that are more than 4.9 ft apart*
For the DMX signal

***WFA04 & WFA0005
must be ordered together**



WFA0001
4.92' 3-Pin Interconnect Cable
*required when daisy-chaining fixtures
that are more than 4.9 ft apart*
For the DMX signal



WFA02 - Included
IP68 'H' Type Three-Way Connector
4-Pin (3.23" x 2.10" x 1.10")
For IP68 in/out connection



WFA03-US - REQUIRED, Not Included
3-Pin Female Connector
For IP66-IP68 in/out connection



WFA04-US
3-Pin Male Connector
*required when daisy-chaining fixtures that
are more than 4.9 ft apart*
For IP66-IP68 in/out connection

Job Name/Date:

Fixture Type Designation: