

# TAGO 6.0, 6.1, 6.3

Tago is an adjustable linear profile suitable for architectural lighting of facades of historic and public buildings, hotels and residential exteriors. Each is available in 3 lengths with a wide range of optics and color temperatures. Tago 6 series is adjustable, surface-mount with bracket, RGBW version for floors, ceilings and walls, that comes with Integral DMX512 decoder with RDM. Requires a DMX/RDM controller provided by others.



## TECHNICAL DATA

<b>Wattage / Input</b>	14W, 24W, 49W (48VDC)
<b>Power Supply</b>	Integral 120-277VAC Comes with Integral DMX512 Decoder with RDM Requires a DMX/RDM Controller (by others)
<b>Construction</b>	Body: Black, Anodized, Anticorodal Aluminum Caps: Technopolymer Lens: Tempered Extra-Clear Glass Cable Length: 4.92'
<b>CCT</b>	RGBW
<b>CRI</b>	—
<b>BUG Rating</b>	B1-U1-G0 (Tago 6.0 - 30°) B2-U1-G0 (Tago 6.1 - 30°) B3-U1-G0 (Tago 6.3 - 30°)
<b>Delivered Lumens</b>	See Chart on page 2
<b>Efficacy</b>	See Chart on page 2
<b>Optics</b>	24°, 30°, 52°
<b>Finishes</b>	Black
<b>Fixture Dimensions</b>	See Chart on page 2
<b>Fixture Weight</b>	See Chart on page 2
<b>LED Source</b>	See Chart on page 2
<b>Lumen Maintenance</b>	L80, B10>60,000hrs
<b>Operating Temp.</b>	-4°F to +113°F
<b>IP Rating</b>	IP65, IP67, IP69
<b>Impact Rating</b>	IK09

## ORDERING INFORMATION

Example: TG6030040070SN. Accessories ordered separately.

	<b>04</b>	<b>00</b>	<b>70</b>		<b>N</b>
<b>Model No.</b>	<b>Control System</b>	<b>Accessories</b>	<b>CCT</b>	<b>Optics</b>	<b>Color</b>
TG6030 - Tago 6.0 (14W) TG6130 - Tago 6.1 (24W) TG6330 - Tago 6.3 (49W)	04 - DMX512+RDM	00 - None	70 - RGBW	S - 24° M - 30° L - 52°	N - Black

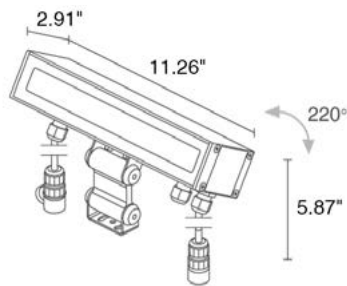
Job Name/Date:

Fixture Type Designation:

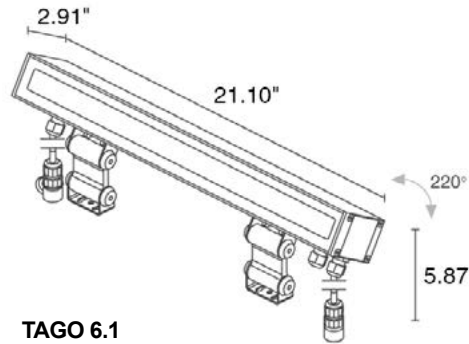
## TECHNICAL DATA

	TAGO 6.0	TAGO 6.1	TAGO 6.3
<b>Wattage</b>	14W	24W	49W
<b>Delivered Lumens (3000K)</b>	1374 lm - R: 90 lm G: 660 lm B: 132 lm W: 492 lm (4000K, 24°)	2748 lm - R: 180 lm G: 1320 lm B: 264 lm W: 984 lm (4000K, 24°)	5496 lm - R: 360 lm G: 2640 lm B: 528 lm W: 1968 lm (4000K, 24°)
<b>Efficacy</b>	98.1 lm/W	114.5 lm/W	112.2 lm/W
<b>Fixture Dim. (l,w,h)</b>	11.26" x 2.91" x 5.87" (+/- 220°)	21.10" x 2.91" x 5.87" (+/- 220°)	40.79" x 2.91" x 5.87" (+/- 220°)
<b>Fixture Weight</b>	5.3 lbs	8.4 lbs	11.9 lbs
<b>LED Source</b>	24 power LEDs, spacing 1.64"	48 power LEDs, spacing 1.64"	96 power LEDs, spacing 1.64"

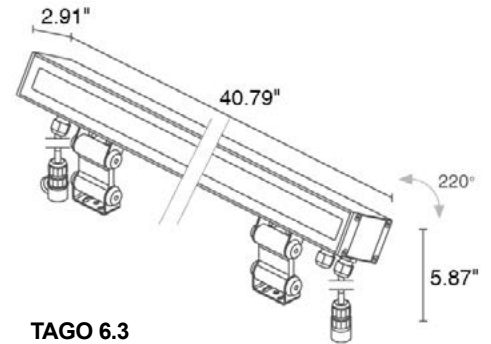
## FIXTURE DIMENSIONS



TAGO 6.0

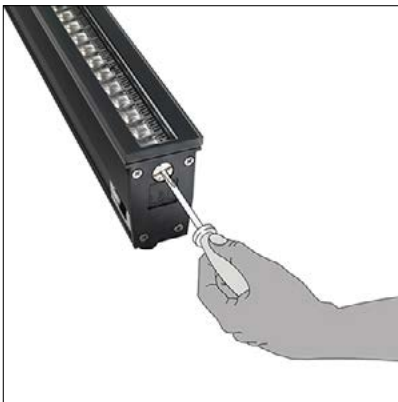


TAGO 6.1

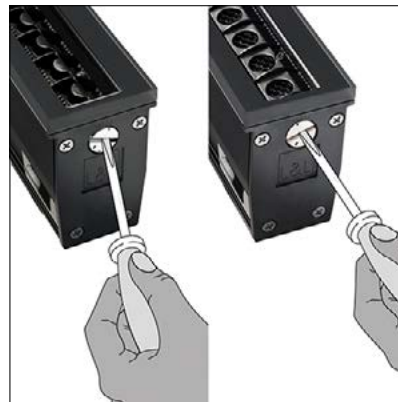


TAGO 6.3

## ADJUSTABILITY & ANTI-GLARE FEATURES



Tilting system is inside the optical unit. The light direction can be altered by  $\pm 20^\circ$  externally with a simple adjustment on the end caps, without compromising the fixture's IP65 or IP67 protection level.



The honeycomb louvre or anti-glare shield, which can be ordered at the same time as the fixture, is mounted on the optical unit, so that the chosen option tilts together with the optics providing anti-glare solutions.

Job Name/Date:

Fixture Type Designation:

## ACCESSORIES



### WMA03N

Pair of Adjustable Brackets

**Fixture shipped with standard bracket above & below swivel arm.**  
With the 2 standard brackets, the TAGO floodlight will be 3.7" from the wall.

Using the pair of adjustable bracket accessory, WMA03N, and the standard bracket together, the floodlight can be adjusted from 3.86" to 4.3" from the wall.

With 2 sets of accessory brackets WMA03N, the floodlight can be adjusted from 3.86" to 4.875" from the wall.

## WIRING MATERIALS



### WFA0005

required when daisy-chaining fixtures that are more than 4.9 ft apart  
16.40' Cable

\*WFA04 & WFA0005 must be ordered together



**WFA03-US (included)**  
3-Pin Female Connector  
For IP66-IP68 in/out connection



**WFA04-US**  
required when daisy-chaining fixtures that are more than 4.9 ft apart  
3-Pin Male Connector  
For IP66-IP68 in/out connection

## SPARE PARTS



### WFA02-US

IP68 "H"-type 3-Way  
Connector - 4-Pin

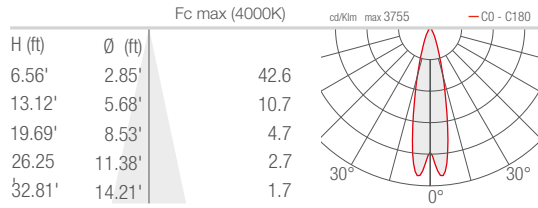
Job Name/Date:

Fixture Type Designation:

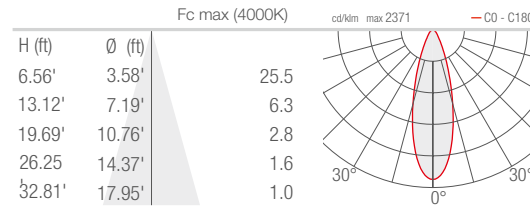
## PHOTOMETRIC DATA

Note: all Photometry is 3000K

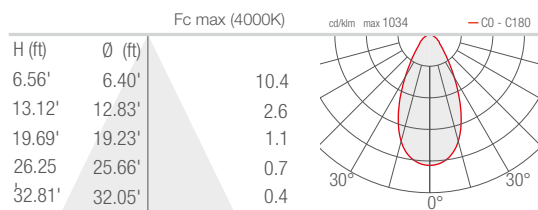
### S - 24°



### M - 30°



### L - 52°



Job Name/Date:

Fixture Type Designation: