

design: R&D

ELEMENT PRO

LAM32
IDEASBECOMINGLIGHT

Luminaire designed for wall installation in both single and double emission versions, made of aluminum and glass. Suitable for high power LED sources, its body made of anticordal aluminum, submitted to a double anodizing treatment and AISI 304 stainless steel protected to polyester powder coated to ensure durability over time and maximum resistance against atmospheric agents. A hidden fixing bracket in stainless steel sheet allows the installation on walls through two stainless steel fixing screws. Closing screens in extra-clear screen-printed and tempered glass are integral to the body through a special glue-sealant used in shipbuilding. The protection degree IP66 is ensured by an appropriate waterproof cable gland system. The PMMA precision optics allow the propagation of light for long distance. Constant voltage power supply is integrated in luminaire's body. It is equipped with a 19.7" long cable for connection to the power supply line using appropriate waterproof connection systems to be ordered separately.

designplan® 

79 Trenton Avenue
Frenchtown, NJ 08825

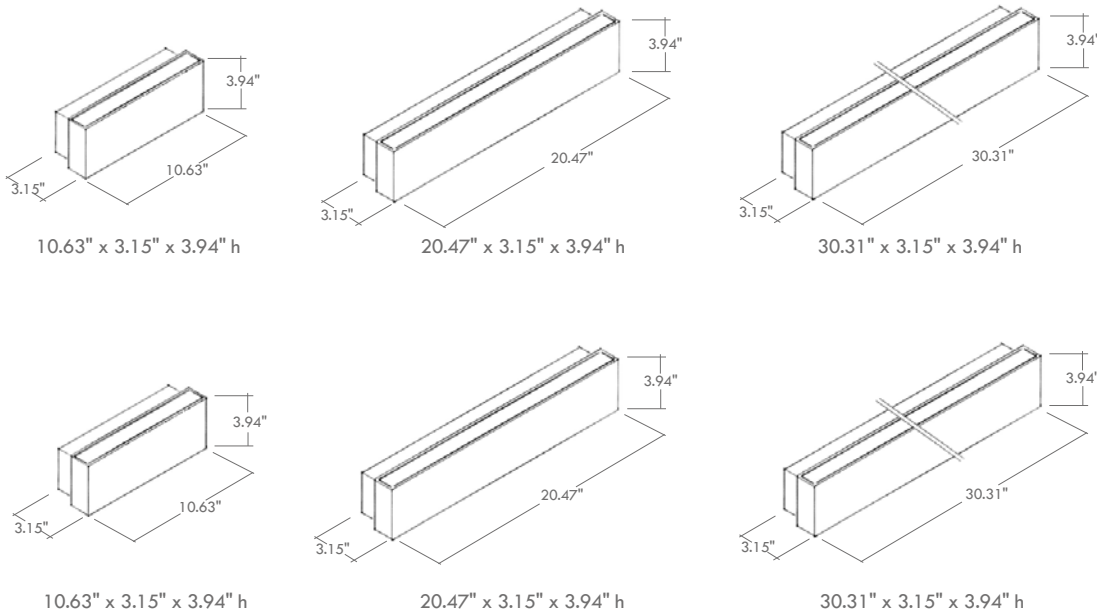
www.designplan.com

Tel: (908) 996-7710
Fax: (908) 996-7042

ELEMENT PRO



TECHNICAL DRAWING



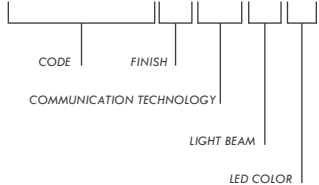
ELEMENT PRO

| model | code | lamp | lumens | | |
|------------------|-------------|-----------|--------|-------|-------|
| | | | 2700K | 3000K | 4000K |
| ELEMENT PRO 1 | LM02.104235 | LED 11W | 875 | 925 | 975 |
| ELEMENT PRO 1-B | LM02.104238 | LED 2x11W | 1750 | 1850 | 1950 |
| ELEMENT PRO 2 | LM02.104236 | LED 22W | 1750 | 1850 | 1950 |
| ELEMENTI PRO 2-B | LM02.104239 | LED 2x22W | 3500 | 3700 | 3900 |
| ELEMENT PRO 3 | LM02.104237 | LED 33W | 2625 | 2775 | 2925 |
| ELEMENTI PRO 3-B | LM02.104240 | LED 2x33W | 5220 | 5550 | 5850 |

EXAMPLE OF CODE COMPOSITION

Electronic driver
Connection systems to be ordered as accessories

02.104235.01.DA.SP.BF



Light beam

| | |
|-----|-----------------------|
| .SP | beam 12° |
| .MD | beam 25° |
| .FL | beam 40° |
| .HE | horizontal elliptical |

LED Color

| | |
|-----|-------|
| .BC | 2700K |
| .BP | 3000K |
| .BF | 4000K |

Communication Technology

| | |
|-----|--------|
| .AN | 0/10 |
| .00 | ON/OFF |

FINISH

| color | code | color | code | color | code |
|-------|-----------------------|-------|--------------------------|-------|--------------------|
| | .01 / painted white | | .02 / painted black | | .03 / painted gray |
| | .04 / painted cor-ten | | .11 / painted anthracite | | |

