

design: R&D

GEM PRO 4

LAM32
IDEASBECOMINGLIGHT

Luminaire designed for frame recessed installation on floors or walls, suitable for power LED sources. Its body is made of Anticorodal aluminium, submitted to black anodizing treatment to ensure durability over time and maximum resistance against atmospheric agents. The front ring nut in steel 316L is tightened and fixed to the body by a mechanical threaded coupling with silicone gasket. All the components of the luminaires of this series can be fully made of AISI 316L stainless steel, on request. The specific diffuser in extra-clear glass, is integral to the body through a special glue-sealant used in shipbuilding. The installation on masonry can be done under a pressure on a special plastic casing, available in draining version. The protection degree IP67 is guaranteed by a special waterproof cable gland system and special aqua-stop system on the cable. High quality PMMA optics allow long distance light propagation. The integrated LED driver allows its power supply at 24VDC. The 230VAC versions are supplied by 0/10 power supplies. All products are equipped with a 50cm long neoprene cable for connection to the power supply line, through appropriate waterproof connection systems not included.

designplan® 

79 Trenton Avenue
Frenchtown, NJ 08825

www.designplan.com

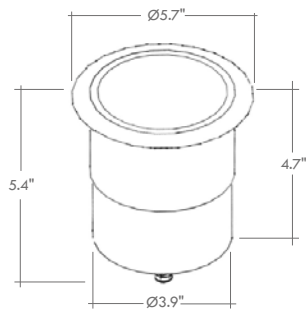
Tel: (908) 996-7710
Fax: (908) 996-7042

GEM PRO 4



TECHNICAL DRAWING

GEM PRO 4 24VDC



Ø5.71" x 5.39" h
Ø3.98"

GEM PRO 4 24VDC*

code	lamp	lumens		
		2700K	3000K	4000K
07.104031	LED COB 19W	2637	2802	2885

ACCESSORIES

code	version
20.104131	GEM PRO 4 24VDC Outer Casing IP20 Sizes Ø4.92" x 6.30" h Hole Ø3.98"

EXAMPLE OF CODE COMPOSITION

*24VDC Version

24VDC Electronic driver and connection systems to be ordered as an accessory. Control Electronics: iSmart CV, iColor CV or iDimm CV, to be ordered as an accessory.

07.104031.05.SP.BF

CODE	FINISH	LIGHT BEAM	LED COLOR	Light beam	Optic
.SP		beam 12°		beam 12°	
.MD		beam 25°		beam 25°	
.FL		beam 40°		beam 40°	
.WW		wall washer		wall washer	
LED Color					
.BC		2700K		2700K	
.BP		3000K		3000K	
.BF		4000K		4000K	

FINISH

color	code	color	code
	.05 / stainless		.59 / bronze

