

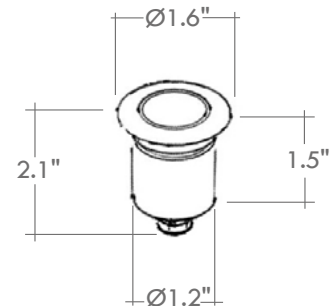
Gem Pro is a round, IP67-rated, recessed fixture with frame, suitable for installation in floors or walls, made to ensure durability and maximum resistance against atmospheric agents. Gem Pro 1 is the Ø1.6" version with 2.2W, 3 color temperatures and 5 optics options.

## TECHNICAL DATA

<b>Wattage / Input</b>	2.2W (24VDC)
<b>Power Supply</b>	Remote, not included. See page 2.
<b>Construction</b>	Body: Anticorodal Aluminum, Stainless Steel on request. Front Ring Nut: AISI 316L Stainless Steel Lens: PMMA (Acrylic) Diffuser: Extra Clear Glass Cable Length: 1.64'
<b>CCT</b>	2700K, 3000K, 4000K
<b>BUG Rating</b>	B0-U1-G0
<b>Delivered Lumens</b>	190 lm (3000K)
<b>Efficacy</b>	86.4 lm/W (3000K)
<b>Optics</b>	5 Standard, See Below
<b>Finishes</b>	Stainless or Bronze
<b>Fixture Dimensions</b>	Ø1.57" x 2.13" h
<b>Cutout Dimensions</b>	Ø1.26"
<b>Color Consistency</b>	<3-Step MacAdam
<b>IP Rating</b>	IP67
<b>Driveover Capacity</b>	Up to 6614 lbs



Fixture Dimensions



## ORDERING INFORMATION

Example: LM07.104034.US.05.SS.BP. Accessories / Power Supplies ordered separately.

LM07.104034.US	.	.	.	.
Model No.	Finish	Optic	CCT	
LM07.104034.US	05 - Stainless 59 - Bronze	SS - ≤8° SP - 10-15° MD - 20-35° FL - 40-55° HE - Horizontal Elliptical	BC - 2700K	BP - 3000K BF - 4000K

Job Name/Date:

Fixture Type Designation:

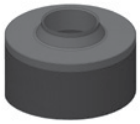
## SUGGESTED POWER SUPPLIES

24VDC

Part Number	Description	Input/Output	# of Fixtures
<a href="#">PPLT00149</a>	Non-Dim	120VAC to 24VDC, 10W, Class 2, IP65	1-3
<a href="#">PPLT00632</a>	0-10V Dimming (Dim to Off)	120-277VAC to 24VDC, 12W, Class 2	1-4
<a href="#">PPLT00056</a>	Non-Dim	120V-277AC to 24VDC, 26W, Class 2, IP66	1-9
<a href="#">PPLT00627</a>	ELV/TRIAC & 0-10V Dimming (100-0%)	120-277VAC to 24VDC, 96W, Class 2, IP67	1-34
<a href="#">PPLT00158</a>	Non-Dim	120VAC to 24VDC, 100W, Class 2	1-36
<a href="#">PPLT00543</a>	0-10V Dimming to 15% (-40°C / -40°F cold weather start)	120-277VAC to 24VDC, 100W, Class 2	5-36

For other power supply options consult factory.

## ACCESSORIES - Installation



### LM20.104128

Outer Casing IP20

Size Ø3.54" x 3.35" h

Hole Ø1.26"

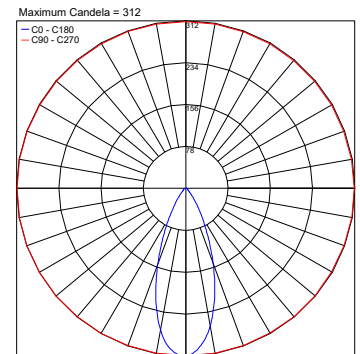
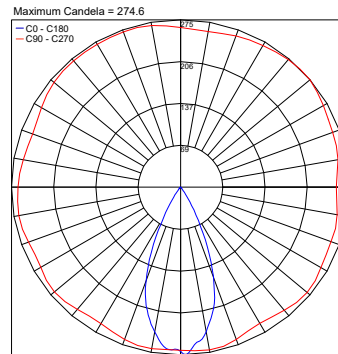
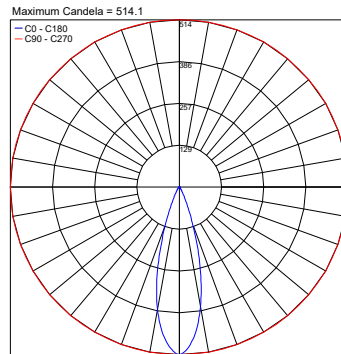
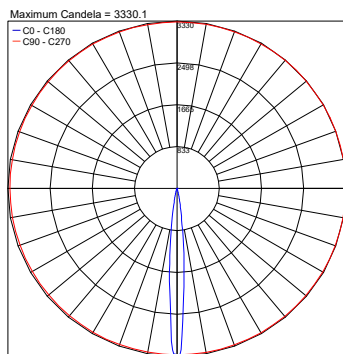


### LM20.104290

Spring for installing on wall or ceiling in plasterboard.

## PHOTOMETRIC DATA

Note: All photometric data is 3000K



Job Name/Date:

Fixture Type Designation: